

# ELEMENT™ 3" LED

## IC REMODEL ADJUSTABLE AND NEW CONSTRUCTION MOUNTING

The ELEMENT 3" IC Remodel Adjustable and New Construction Downlight is a seamless fusion of the acclaimed ELEMENT 3" Adjustable Downlight with the convenience of a remodel fixture. Blending stunning architectural aesthetics with exceptional performance, this remodel downlight is specifically designed for insulation-contact applications. Experience complete adjustability through lockable, tool-free, hot aiming for effortless precision. With a compact form factor new construction option, enjoy added installation flexibility in tight ceiling conditions. The ELEMENT 3" IC Remodel Adjustable and New Construction Downlight offers premium LED options with Static White, Warm Dim, and Tunable White.

- SDCM: 1-step static white and 2-step warm dim and tunable white
- Tool-free aiming/locking, 0-40° tilt + 361° rotation
- Interchangeable optics: 20°, 30°, 40°, 60°
- Flanged/flangeless die-cast Bevel and Flat trims
- IC-rated remodel and new construction options
- Trims match the ELEMENT 3" platform



IC REMODEL SHOWN IN ROUND FLANGELESS



NEW CONSTRUCTION OPTION SHOWN IN SQUARE

### LUMEN/CBCP MULTIPLIERS

CCT	80 CRI MULTIPLIER	90 CRI MULTIPLIER
2700K	1.12	0.98
3000K	1.18	1.00
3500K	1.22	1.01

Data in chart reflect 3000K/90 CRI values unless noted. Lumen output will vary by CCT and CRI. See photometric charts for output information.

### SPECIFICATIONS

	STATIC WHITE	TUNABLE WHITE		WARM DIM
	LOW OUTPUT	4000K-1800K	5000K-2700K	LOW OUTPUT
DELIVERED LUMENS	814	914	938	739
WATTS	11	15	14	12
EFFICACY	74	61	67	62
CRI	80+/90+	90+		
CCT OPTIONS	2700K, 3000K, or 3500K	4000K-1800K	5000K-2700K	3000K-1800K
COLOR CONSISTENCY	1-step	2-step		2-step
VOLTAGE	120V or 277V			
DIMMING <sup>1</sup>	Standard reverse-phase, forward-phase, TRIAC, and 0-10V dimming down to 1% eidoLED 0-10V or DALI-2 down to 0.1%   Lutron Hi-lume EcoSystem down to 0.1%			
POWER SUPPLY	Constant current driver with +.9 power factor and +80% efficiency			
OPTICS	Field changeable: 20°, 30°, 40°, or 60° TIR			
ADJUSTABILITY	Lockable, hot-aiming 0-40° tilt, 361° rotation			
CEILING APPEARANCE	Flanged or flangeless			
CEILING THICKNESS	No ceiling thickness limitations			
CEILING APERTURE	4" ceiling cutout			
HOUSING	IC Airtight. Suitable up to R60 if spray foam insulation is already installed. (Will require removal of spray foam insulation to accommodate housing and driver compartments.)			
CONSTRUCTION	Trim: Die-cast aluminum			
FINISH	Trim: Antique Bronze, Black, Satin Nickel, or White (paintable)			
GENERAL LISTINGS	ETL Listed, Damp Location, Shower version Wet Listed.			
CALIFORNIA TITLE 24	Registered CEC Appliance Database. Can be used to comply with CEC 2019 Title 24 Part 6 (JA8-2019) (for 90 CRI versions).			
L70	50,000 hours min			
WARRANTY <sup>2</sup>	5 years			

Data in chart reflect 3000K/90 CRI values unless noted.

Custom output/custom RAL/custom CCT available, contact Quotes Department

Ordering grids available on page 2.

Accepts one optical controls and an optional trim-mounted lens.

<sup>1</sup>See visualcomfort.com for dimmer compatibility.

<sup>2</sup>Visit visualcomfort.com for specific warranty limitations and details.

# ELEMENT™ 3" LED

## IC REMODEL ADJUSTABLE AND NEW CONSTRUCTION MOUNTING

### ORDERING GRIDS

#### HOUSING

PRODUCT	CEILING APPEARANCE	OUTPUT	CRI/CCT	BEAM SPREAD	FUNCTION	HOUSING RATING	DRIVER
<b>E3R</b> ELEMENT 3" ROUND	<b>RL</b> IC REMODEL FLANGELESS	<b>-LO</b> LOW OUTPUT, 11W	<b>827</b> 80 CRI, 2700K, 1-STEP	<b>2</b> 20°	<b>A</b> ADJUSTABLE	<b>I</b> IC AIRTIGHT	<b>-UNV</b> UNIVERSAL PHASE/0-10V 1% <sup>2</sup>
<b>E3S</b> ELEMENT 3" SQUARE	<b>RF</b> IC REMODEL FLANGED		<b>830</b> 80 CRI, 3000K, 1-STEP	<b>3</b> 30°		<b>NC</b> IC AIRTIGHT NEW CONSTRUCTION MOUNTING	<b>REMOTE DRIVER 120/277V<sup>3</sup></b>
			<b>835</b> 80 CRI, 3500K, 1-STEP	<b>4</b> 40°			<b>-ELDO</b> ELDOLED 0.1% 0-10V LINEAR
			<b>927</b> 90 CRI, 2700K, 1-STEP	<b>6</b> 60°			<b>-ELDOA</b> ELDOLED 0.1% 0-10V LOGARITHMIC
			<b>930</b> 90 CRI, 3000K, 1-STEP				<b>-ELDD</b> ELDOLED 0.1% DALI-2
			<b>935</b> 90 CRI, 3500K, 1-STEP				<b>-ELTO</b> ELDOLED TUNABLE WHITE 0.1% 0-10V LINEAR <sup>1</sup>
			<b>WD</b> 90 CRI, 3000-1800K, WARM DIM, 2-STEP				<b>-ELTD</b> ELDOLED TUNABLE WHITE 0.1% DALI-2 <sup>1</sup>
			<b>TW52</b> 90 CRI, 5000K-2700K, TUNABLE WHITE, 2-STEP <sup>1</sup>				<b>-HLECO</b> LUTRON HI-LUME 0.1% ECOSYSTEM
			<b>TW41</b> 90 CRI, 4000K-1800K, TUNABLE WHITE, 2-STEP <sup>1</sup>				
		<b>-LO</b>			<b>A</b>		<b>-</b>

Trims are required and must be ordered separately.

For dimming details, refer to dimmer compatibility chart.

<sup>1</sup>TW52, TW41 - Tunable white available only with ELTO for 0-10V dimming or ELTD for DALI-2 dimming.

<sup>2</sup>Universal dimming is reverse-phase, forward-phase, TRIAC, and 0-10V. 277V is only compatible with 0-10V dimming.

<sup>3</sup>Remote drivers ship in 4.3" x 1.8" x 2.3" black enclosure for remote location mounting.

#### TRIM

PRODUCT	CEILING APPEARANCE	STYLE	APERTURE	FINISH
<b>E3R</b> ELEMENT 3" ROUND	<b>L</b> FLANGELESS	<b>B</b> BEVEL	<b>-O</b> NO LENS	<b>Z</b> ANTIQUE BRONZE
<b>E3S</b> ELEMENT 3" SQUARE	<b>F</b> FLANGED	<b>F</b> FLAT	<b>-H</b> SHOWER <sup>1,2</sup>	<b>B</b> BLACK
			<b>-L</b> LENSED <sup>2</sup>	<b>S</b> SATIN NICKEL
				<b>W</b> WHITE
			<b>-</b>	

Trims are required and must be ordered separately.

<sup>1</sup>H - Sauna/steam-room use available only with H shower trim. Shower lens includes a gasket.

<sup>2</sup>H, L - Lensed products come with Solite Soft Focus lens.

#### REPLACEMENT OPTICS

PRODUCT	BEAM SPREAD
<b>353LEDGATOPT</b>	<b>20</b> 20°
	<b>30</b> 30°
	<b>40</b> 40°
	<b>60</b> 60°
<b>353LEDGATOPT</b>	

#### LENSES/LOUVERS

PRODUCT <sup>1</sup>	TYPE
<b>MOC</b>	<b>GG</b> PLAIN GLASS
	<b>SF</b> SOFT FOCUS
	<b>LL</b> LINEAR SPREAD
	<b>EC</b> EGGCRATE LOUVER
	<b>LS12</b> 1/2" LONG SNOOT
<b>MOC</b>	

<sup>1</sup>Lenses/louvers mounted to lamp assembly only (max 1).

#### FROSTED BOROSILICATE LENS KIT

PRODUCT	DESCRIPTION
<b>240E3SBLSP-B</b>	BOROSILICATE LENS KIT   E3 SQUARE BEVEL TRIM
<b>240E3SQLSP-B</b>	BOROSILICATE LENS KIT   E3 SQUARE FLAT TRIM
<b>240E3RBLSP-B</b>	BOROSILICATE LENS KIT   E3 ROUND BEVEL TRIM
<b>240E3RDLSP-B</b>	BOROSILICATE LENS KIT   E3 ROUND FLAT TRIM

Includes frosted borosilicate lens, lens spring, and screws to mount to ELEMENT 3" trim.

#### PLASTER PLATES

PRODUCT	DESCRIPTION
<b>150E3RPPLT-A</b>	3" PLASTER PLATE   ROUND DIE-CAST METAL <sup>1</sup>
<b>150E3SPPLT-A</b>	3" PLASTER PLATE   SQUARE DIE-CAST METAL <sup>1</sup>
<b>150E3RTPPLT-W</b>	3" PLASTER PLATE   ROUND SHEET METAL <sup>2</sup>
<b>150E3STPPLT-W</b>	3" PLASTER PLATE   SQUARE SHEET METAL <sup>2</sup>

Plaster plates are used to convert flanged housings into flangeless housings.

<sup>1</sup>Ships standard with flangeless housings. Round not compatible with Lutron Hi-Lume or eldoLED drivers.

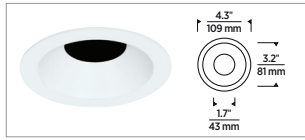
<sup>2</sup>Optional, thinner, meshed sheet metal mud plates available for minimized plaster feathering to meet installer preference. Round not compatible with Lutron Hi-Lume or eldoLED drivers. Square not compatible with eldoLED drivers.



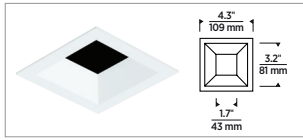
# ELEMENT™ 3" LED

IC REMODEL ADJUSTABLE AND NEW CONSTRUCTION MOUNTING

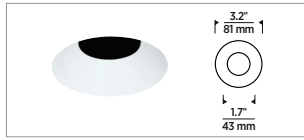
TRIMS



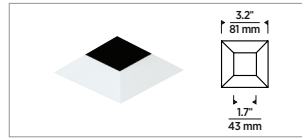
ROUND BEVEL



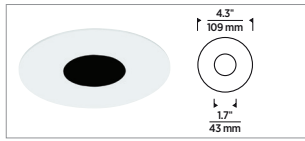
SQUARE BEVEL



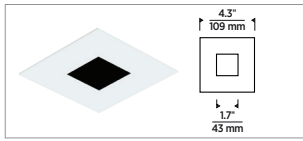
ROUND FLAT



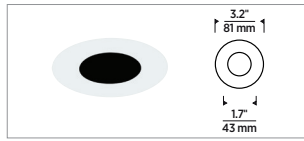
SQUARE FLAT



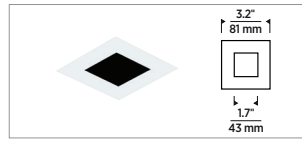
ROUND BEVEL



SQUARE BEVEL



ROUND FLAT



SQUARE FLAT

LENS OPTION



SHOWN WITH AND WITHOUT A LENS (ROUND FLANGELESS BEVEL)



SHOWN WITH AND WITHOUT A LENS (SQUARE FLANGED BEVEL)

FINISH



ANTIQU  
BRONZE



BLACK



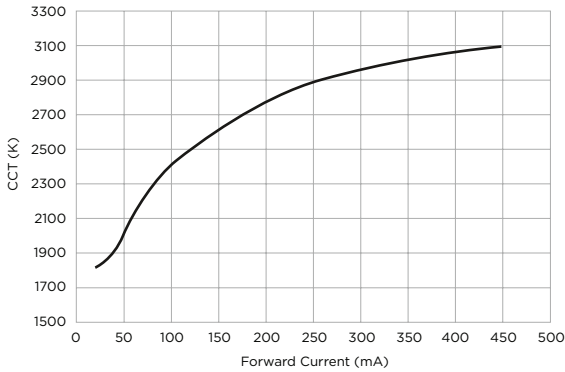
SATIN  
NICKEL



WHITE  
(PAINTABLE)

WARM DIM CURVE

CCT vs. Forward Current,  $T_c=25^\circ\text{C}$

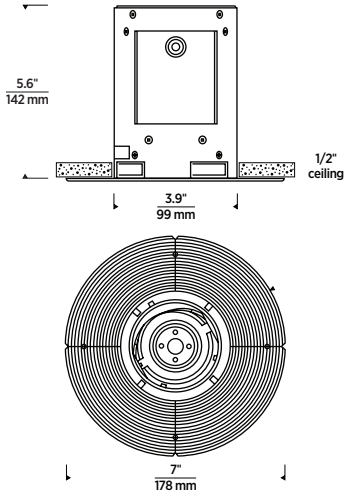


# ELEMENT™ 3" LED

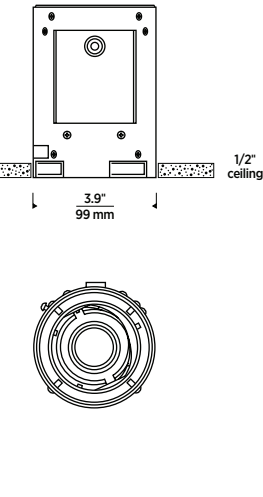
IC REMODEL ADJUSTABLE AND NEW CONSTRUCTION MOUNTING

IC REMODEL HOUSING

ROUND

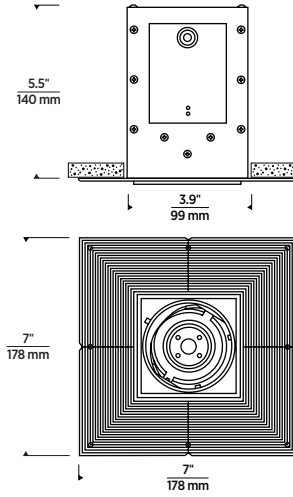


ROUND FLANGELESS

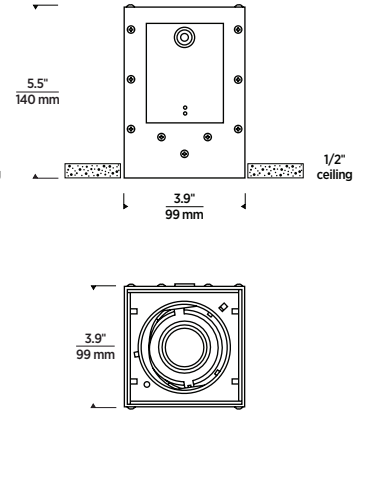


ROUND FLANGED

SQUARE

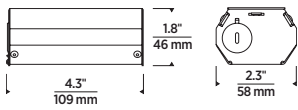


SQUARE FLANGELESS

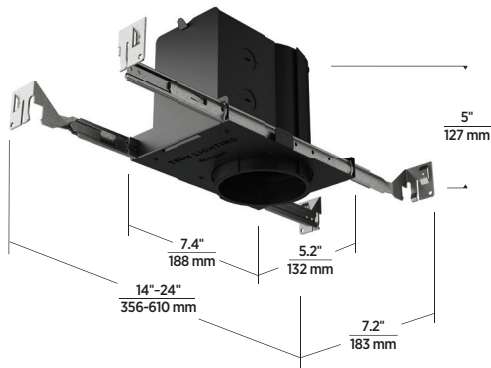


SQUARE FLANGED

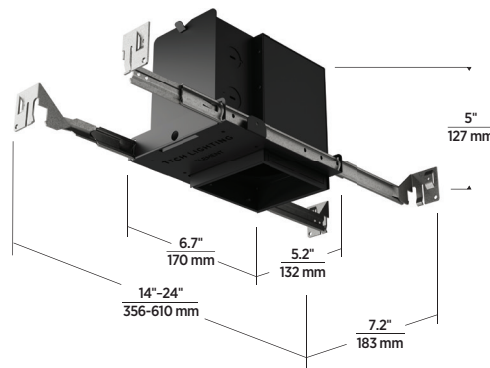
J-BOX / DRIVER



IC REMODEL HOUSING WITH NEW CONSTRUCTION OPTION



ROUND



SQUARE

# ELEMENT™ 3" LED

## IC REMODEL ADJUSTABLE AND NEW CONSTRUCTION MOUNTING

### PHOTOMETRICS

Description: 3" LED Module  
20° Beam, 0° Tilt  
90 CRI, 3000K

Input Power (Watts): 11  
Input Power Factor: 0.99  
Absolute Luminous Flux (Lumens): 691  
Lumen Efficacy (Lumens per Watt): 62.8

Output difference between CCTs - 5%, CRIs - 15%.

Description: 3" LED Module  
30° Beam, 0° Tilt,  
90 CRI, 3000K

Input Power (Watts): 11  
Input Power Factor: 0.99  
Absolute Luminous Flux (Lumens): 806  
Lumen Efficacy (Lumens per Watt): 73.3

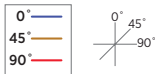
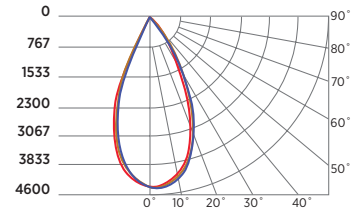
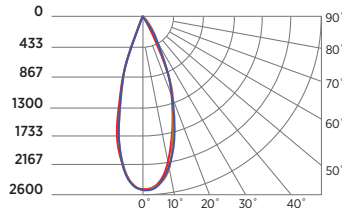
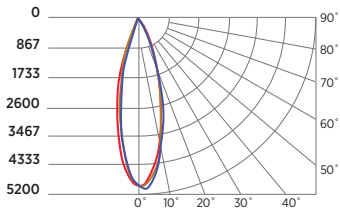
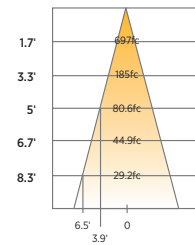
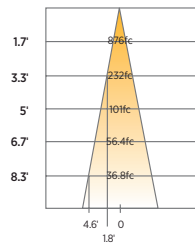
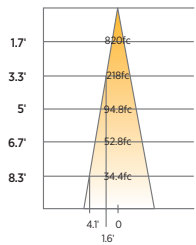
Description: 3" LED Module  
40° Beam, 0° Tilt  
80 CRI, 3000K

Input Power (Watts): 11  
Input Power Factor: 0.98  
Absolute Luminous Flux (Lumens): 1013  
Lumen Efficacy (Lumens per Watt): 92.1

ANGLE	0°	45°	90°
0°	2371	2371	2371
5°	2287	2223	2164
10°	1794	1760	1691
15°	1248	1120	1165
20°	764	796	679
25°	352	463	295
30°	138	219	102
35°	52	66	36
40°	10	31	8
45°	0	12	0
50°	0	0	0
55°	0	0	0
60°	0	0	0
65°	0	0	0
70°	0	0	0
75°	0	0	0
80°	0	0	0
85°	0	0	0
90°	0	0	0

ANGLE	0°	45°	90°
0°	2532	2532	2532
5°	2449	2409	2382
10°	2057	2003	1955
15°	1440	1406	1363
20°	876	866	825
25°	405	473	351
30°	153	232	126
35°	52	66	42
40°	1	12	0
45°	0	0	0
50°	0	0	0
55°	0	0	0
60°	0	0	0
65°	0	0	0
70°	0	0	0
75°	0	0	0
80°	0	0	0
85°	0	0	0
90°	0	0	0

ANGLE	0°	45°	90°
0°	2014	2014	2014
5°	2017	1993	1950
10°	1905	1866	1786
15°	1684	1633	1520
20°	1356	1283	1138
25°	839	862	652
30°	408	457	288
35°	114	167	91
40°	30	61	27
45°	6	16	5
50°	0	1	0
55°	0	0	0
60°	0	0	0
65°	0	0	0
70°	0	0	0
75°	0	0	0
80°	0	0	0
85°	0	0	0
90°	0	0	0



# ELEMENT™ 3" LED

## IC REMODEL ADJUSTABLE AND NEW CONSTRUCTION MOUNTING

### PHOTOMETRICS

Description: 3" LED Module  
 60° Beam, 0° Tilt  
 90 CRI, 3000K

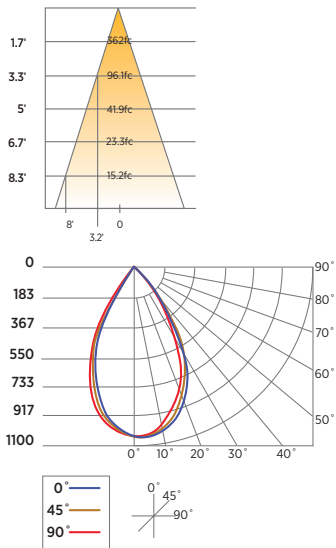
Input Power (Watts): 11  
 Input Power Factor: 0.99

Absolute Luminous Flux (Lumens): 797

Lumen Efficacy (Lumens per Watt): 72.5

Output difference between CCTs - 5%, CRIs - 15%.

ANGLE	0°	45°	90°
0°	1046	1046	1046
5°	1045	1040	1023
10°	1011	997	960
15°	935	915	870
20°	827	800	745
25°	660	651	550
30°	449	483	351
35°	226	307	184
40°	131	169	115
45°	72	80	66
50°	0	41	0
55°	0	10	0
60°	0	0	0
65°	0	0	0
70°	0	0	0
75°	0	0	0
80°	0	0	0
85°	0	0	0
90°	0	0	0



# ELEMENT™ 3" LED

IC REMODEL ADJUSTABLE AND NEW CONSTRUCTION MOUNTING

## PROJECT INFORMATION

---

## JOB NAME AND INFORMATION

---

---

---

---

---

---

---

---

---

---

## FIXTURE TYPE AND QUANTITY

---

---

---

---

---

---

---

---

---

---

## NOTES

---

---

---

---

---

---

---

---

---

---

---

---

---

---

---

---

---

---

---

---

---

---

---

---

VISUAL COMFORT & Co.

ARCHITECTURAL COLLECTION

FORMERLY KNOWN AS TECH LIGHTING

7400 Linder Avenue, Skokie, Illinois 60077

T 847.410.4400 | [visualcomfort.com](http://visualcomfort.com)

