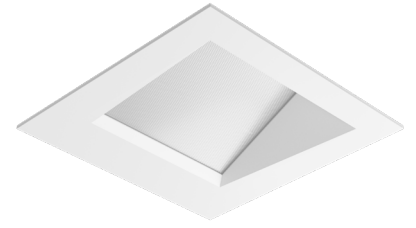


ELEMENT™ 4" LED

WALL WASH



SHOWN IN FLANGED WALL WASH SQUARE

The ELEMENT 4" Next Generation Wall Wash solution provides best-in-class performance for a smooth and consistent flood of illumination vertically and horizontally along the wall without scalloping or hot spots, eliminating shadowing. Engineered with high lumen output, ELEMENT Wall Wash downlights are a great solution for illuminating large vertical surface areas and highlighting multiple focal points, texture and designs.

- 1-step static white, 2-step warm dim and tunable white
- Even vertical and horizontal illumination of wall
- High efficacy: 76 lumens per watt
- Flangeless wood ceiling installation available

LUMEN MULTIPLIER (CRI/CCT)

CCT	80 CRI MULTIPLIER	90 CRI MULTIPLIER
2700K	0.95	0.80
3000K	1.00	0.85
3500K	1.05	0.90

Lumen output will vary by CCT and CRI. See photometric charts for output information.

SPECIFICATIONS

	STATIC WHITE				WARM DIM		TUNABLE WHITE	
	HIGH OUTPUT		LOW OUTPUT		HIGH OUTPUT	LOW OUTPUT	HIGH OUTPUT (5000K)	HIGH OUTPUT (4000K ³)
DELIVERED LUMENS	2343	2000	1600	1319	1875	1000	1742	1550
WATTS	29	29	17	17	29	17	28	28
EFFICACY	76	64	84	77	64	59	62	56
CRI	80+	90+	80+	90+	90+			
CCT	2700K, 3000K, or 3500K				3000K - 1800K		5000K - 2700K	4000K - 1800K
COLOR CONSISTENCY	1-step				2-step		2-step	
VOLTAGE	120V or 277V							
DIMMING ¹	Standard reverse-phase, forward-phase, TRIAC, and 0-10V dimming down to 1% eldoLED 0-10V or DALI-2 down to 0.1% Lutron Hi-lume EcoSystem down to 0.1%						eldoLED 0-10V or DALI-2 down to 0.1%	
POWER SUPPLY	Constant current driver with +.9 power factor and +80% efficiency							
OPTICS	Luminit turning film, 2 directions							
ADJUSTABILITY	Round housing has 360° rotation. Square housing has 90° rotation increments. 45° alignment for square collar.							
CEILING APPEARANCE	Flanged, flangeless, or flangeless in wood ceiling							
CEILING THICKNESS	Flanged: Up to 1" Flangeless: No ceiling thickness limitations Flangeless in wood ceiling: 1/2" to 2"							
CEILING APERTURE	4-1/2" ceiling cutout							
HOUSING	IC Airtight, Non-IC Airtight, Chicago Plenum. IC suitable up to R60 spray foam insulation.							
CONSTRUCTION	Housing: Heavy-gauge, cold-rolled steel Trim: Die-cast aluminum							
FINISH	Housing: Black powder coat Trim: Antique Bronze, Black, Satin Nickel, or White (paintable)							
GENERAL LISTINGS	ETL Listed. Wet Listed.							
CALIFORNIA TITLE 24	Registered CEC Appliance Database. Can be used to comply with CEC 2019 Title 24 part 6 (JA8-2016, JA8-2019) (for 90 CRI versions).							
L70	50,000 hours min							
WARRANTY ²	5 years							

Data in chart reflect 3000K/80 CRI values unless noted.

Custom output/custom RAL/custom CCT available, contact Quotes Department.

Ordering grids available on page 2.

¹See visualcomfort.com for dimmer compatibility. LH high output and LV max output standard phase dimming down to 5% min.

²Visit visualcomfort.com for specific warranty limitations and details.

³4000K - 1800K available as custom option only. Please consult Quotes Department.

ELEMENT™ 4" LED

WALL WASH

ORDERING GRIDS

HOUSING

PRODUCT	CEILING APPEARANCE	FUNCTION	OUTPUT	HOUSING RATING	DRIVER	VOLTAGE
E4R ELEMENT 4" ROUND	L FLANGELESS	W WALL WASH	-LH HIGH OUTPUT, 29W ²	I IC AIRTIGHT	INTEGRATED DRIVERS 120V/277V	120 VOLT (LEAVE BLANK)
E4S ELEMENT 4" SQUARE	F FLANGED		-LO LOW OUTPUT, 17W	N NON-IC AIRTIGHT	UNIVERSAL PHASE/0-10V 1% (LEAVE BLANK) ³	-277 277 VOLT
	WC WOOD CEILING ¹			C CHICAGO PLENUM	-ELDO ELDOLED 0.1% 0-10V LINEAR ⁴	
					-ELDOA ELDOLED 0.1% 0-10V LOGARITHMIC ⁴	
					-ELDD ELDOLED 0.1% DALI-2 ⁴	
					-ELTO ELDOLED TUNABLE WHITE 0.1% 0-10V LINEAR ⁵	
					-ELTD ELDOLED TUNABLE WHITE 0.1% DALI-2 ⁵	
					-HLECO LUTRON HI-LUME 0.1% ECOSYSTEM ⁴	

W

Trims are required and must be ordered separately.

¹WC - Wood ceiling option accommodates flangeless trims only.

²LH - High output and standard phase dimming down to 5% min.

³Universal dimming is reverse-phase, forward-phase, TRIAC, and 0-10V. 277V is only compatible with 0-10V dimming.

⁴Lutron Hi-lume and eldoLED drivers not available in LH high output and I IC housing.

⁵ELTO, ELTD - Tunable white only available in LH high output and N non-IC housing; only available with ELTO (0-10V, linear), or ELTD (DALI-2). For 0-10V logarithmic dimming consult Quotes Department.

TRIM

PRODUCT	CEILING APPEARANCE	FUNCTION	LAMP	FINISH
E4R ELEMENT 4" ROUND	L FLANGELESS	W WALL WASH	-827 80 CRI, 2700K, 1-STEP	-Z ANTIQUE BRONZE
E4S ELEMENT 4" SQUARE	F FLANGED UP TO 1"		-830 80 CRI, 3000K, 1-STEP	-B BLACK
			-835 80 CRI, 3500K, 1-STEP	-S SATIN NICKEL
			-927 90 CRI, 2700K, 1-STEP	-W WHITE
			-930 90 CRI, 3000K, 1-STEP	
			-935 90 CRI, 3500K, 1-STEP	
			-WD 90 CRI, 3000K-1800K, WARM DIM, 2-STEP	
			-TW52 90 CRI, 5000K-2700K, TUNABLE WHITE, 2-STEP ¹	

W

¹TW52 - Tunable white only available in LH high output and N non-IC housing, only available with ELTO (0-10V, linear) or ELTD (DALI-2).

For 0-10V logarithmic dimming or for 4000K - 1800K option, consult Quotes Department.

PLASTER PLATES

PRODUCT	PRODUCT
150E4RPPLT	ROUND PLASTER PLATE
150E4SPPLT	SQUARE PLASTER PLATE

Plaster plates are used to convert flanged housings into flangeless housings.

Ships standard with flangeless housings.



ELEMENT™ 4" LED

WALL WASH

TRIMS

FLANGED



ROUND WALL WASH

FLANGELESS



ROUND WALL WASH

FLANGELESS IN WOOD CEILING



ROUND (ANTIQUÉ BRONZE)



SQUARE WALL WASH



SQUARE WALL WASH



SQUARE (SATIN NICKEL)

FINISH



ANTIQUÉ BRONZE



BLACK



SATIN NICKEL



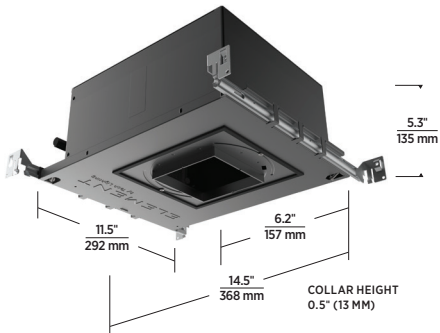
WHITE (PAINTABLE)

See installation instruction sheet on www.techlighting.com.

ELEMENT™ 4" LED

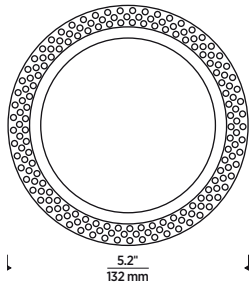
WALL WASH

HOUSING

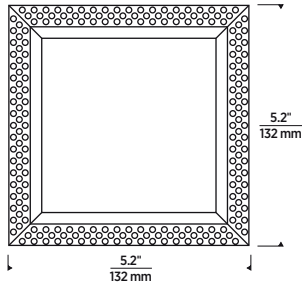


IC AIRTIGHT / NON-IC AIRTIGHT

PLASTER PLATES

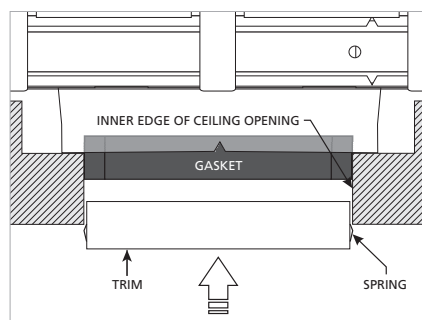


ROUND SHEET METAL MUD/PLASTER PLATE IS INCLUDED FOR FLANGELESS INSTALLATION



SQUARE SHEET METAL MUD/PLASTER PLATE IS INCLUDED FOR FLANGELESS INSTALLATION

FLANGELESS IN WOOD CEILING INSTALLATION

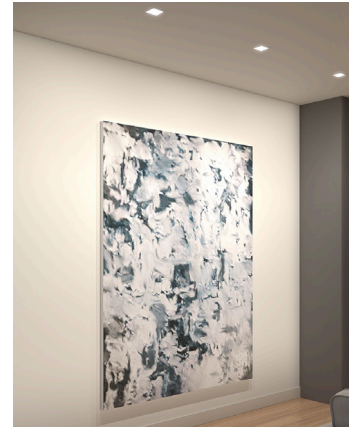
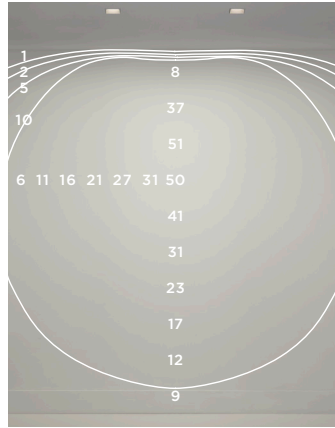


ELEMENT™ 4" LED WALL WASH

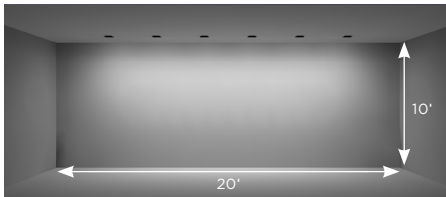
The ELEMENT 4" Wall Wash provide a best-in-class solution for a smooth and consistent flood of light vertically and horizontally to illuminate a large surface area and highlight multiple focal points, texture and design without compromise. Refer to the charts and visuals below for performance guidance to help determine fixture space and ensure your lighting design meets your needs.

PERFORMANCE

- Delivered lumens: 2,343
- High efficacy: 76 Lumens per Watt
- Reduced shadowing near ceiling
- Low ratio between highest and lowest foot-candles prevents hot spots

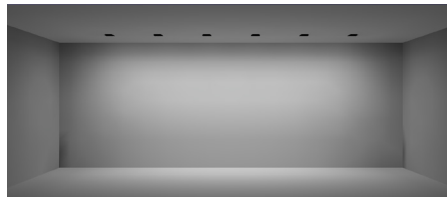


2.5' FROM WALL



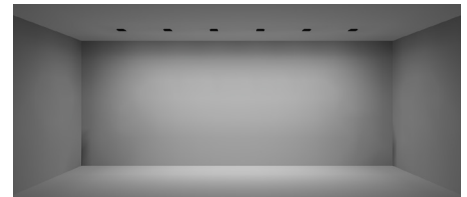
2.5' ON CENTER, 6 FIXTURES

3' FROM WALL



2.5' ON CENTER, 6 FIXTURES

3.5' FROM WALL



2.5' ON CENTER, 6 FIXTURES



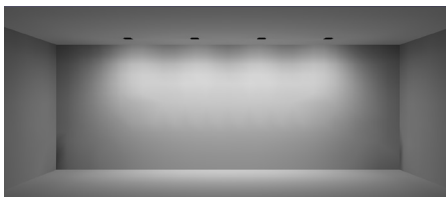
3' ON CENTER, 6 FIXTURES



3' ON CENTER, 6 FIXTURES



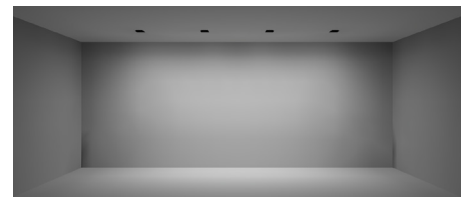
3' ON CENTER, 6 FIXTURES



3.5' ON CENTER, 4 FIXTURES



3.5' ON CENTER, 4 FIXTURES



3.5' ON CENTER, 4 FIXTURES

FOOT-CANDLES ON WALL FROM MULTIPLE FIXTURES

HEIGHT ON WALL	2.5' FROM WALL								
	↑ 2.5' ↓ on center			↑ 2.5' ↓ on center			↑ 2.5' ↓ on center		
9.5'	6.9	5.4	6.9	6.6	4.2	6.6	6.2	3.1	6.2
9'	29.6	27.9	29.6	28.5	22.1	28.5	26.5	17.3	26.5
8'	59.8	67.7	59.8	57.3	56.7	57.3	52.3	45.4	52.3
7'	63.3	73.8	63.3	60.1	65.4	60.1	53.1	56.9	53.1
6'	52.2	59.4	52.2	49.6	54.4	49.6	43.0	49.1	43.0
5'	37.5	41.7	37.5	35.9	39.1	35.9	31.0	36.3	31.0
4'	26.3	28.7	26.3	25.3	27.2	25.3	22.1	25.7	22.1
3'	18.5	19.9	18.5	17.9	19.2	17.9	15.9	18.3	15.9
2'	13.3	14.1	13.3	12.9	13.7	12.9	11.6	13.2	11.6
1'	9.7	10.2	9.7	9.5	10.0	9.5	8.7	9.7	8.7
0.5'	7.2	7.6	7.2	7.1	7.4	7.1	6.6	7.2	6.6

HEIGHT ON WALL	3' FROM WALL								
	↑ 2.5' ↓ on center			↑ 2.5' ↓ on center			↑ 2.5' ↓ on center		
9.5'	3.9	3.4	3.9	3.7	2.7	3.7	3.5	2.2	3.5
9'	17.3	17.6	17.3	16.5	14.8	16.5	15.1	12.2	15.1
8'	41.5	47.9	41.5	39.7	41.7	39.7	35.5	35.5	35.5
7'	48.5	56.9	48.5	46.2	51.5	46.2	40.4	45.9	40.4
6'	45.9	52.4	45.9	43.8	48.6	43.8	37.9	44.4	37.9
5'	36.8	40.9	36.8	35.4	38.6	35.4	30.8	36.0	30.8
4'	27.5	29.8	27.5	26.5	28.5	26.5	23.4	27.0	23.4
3'	20.2	21.6	20.2	19.6	20.8	19.6	17.6	20.0	17.6
2'	14.9	15.9	14.9	14.6	15.4	14.6	13.2	14.8	13.2
1'	11.2	11.8	11.2	10.9	11.5	10.9	10.1	11.1	10.1
0.5'	8.5	8.9	8.5	8.3	8.7	8.3	7.7	8.5	7.7

HEIGHT ON WALL	3.5' FROM WALL								
	↑ 2.5' ↓ on center			↑ 2.5' ↓ on center			↑ 2.5' ↓ on center		
9.5'	2.3	2.1	2.3	2.2	1.8	2.2	2.0	1.5	2.0
9'	11.0	11.6	11.0	10.5	10.1	10.5	9.7	8.6	9.7
8'	29.7	34.1	29.7	28.0	30.5	28.0	26.8	26.8	26.8
7'	37.3	43.6	37.3	35.6	40.2	35.6	33.9	36.4	33.9
6'	38.2	43.7	38.2	36.7	40.9	36.7	35.0	37.9	35.0
5'	33.8	37.6	33.8	32.6	35.7	32.6	31.3	33.6	31.3
4'	27.1	29.5	27.1	26.4	28.3	26.4	25.3	26.9	25.3
3'	20.9	22.3	20.9	20.3	21.5	20.3	19.7	20.7	19.7
2'	15.9	16.9	15.9	15.6	16.4	15.6	15.2	15.8	15.2
1'	12.2	12.8	12.2	12.0	12.5	12.0	11.7	12.2	11.7
0.5'	9.5	9.9	9.5	9.3	9.7	9.3	9.1	9.4	9.1

ELEMENT™ 4" LED WALL WASH

PHOTOMETRICS

Description: 4" LED Wall Wash
90 CRI, 3000K

Model: E4 LED

Input Power (Watts): 32.7

Input Power Factor: 0.98

Absolute Luminous Flux (Lumens): 2039

Lumen Efficacy (Lumens per Watt): 62.3

Output difference between CCTs - 5%, CRIs - 15%.

ANGLE	0°	45°	90°
0°	8192	8192	8192
5°	7438	7514	7532
10°	5277	5300	5297
15°	3190	3214	3209
20°	1898	1908	1900
25°	1066	1077	1064
30°	610	626	608
35°	319	386	325
40°	161	249	162
45°	94	145	94
50°	62	77	63
55°	37	49	37
60°	25	30	25
65°	12	16	13
70°	1	7	2
75°	0	0	0
80°	0	0	0
85°	0	0	0
90°	0	0	0

