

ELEMENT™ 2" CYLINDER

FIXED CYLINDER

Transform your residential, hospitality, or commercial space with a premium and modern aesthetic with the ELEMENT 2" Fixed Cylinder LED lights. These versatile and adaptable lights offer a range of mounting options, making it easy to tailor the lighting to your specific needs.

The LED is recessed within the cylinder which reduces glare. Cylinders are available in both warm dim and static white options. The optional decorative accessories are available in natural brass, crystal, alabaster, and walnut or weathered oak wood, and provide additional customization options to enhance the aesthetic of your space.

- Field interchangeable optics: 20°, 30°, 40°, and 60°
- 1-step static white and 2-step warm dim color binning
- Available in 2" and 3" fixed and adjustable options; 3" available in wall wash
- Flush, surface, conduit, cord, and pendant mounting options
- Several lens and louver options including Solite Soft Focus
- Decorative trims available in natural brass, crystal, walnut, weathered oak wood, and alabaster



SHOWN IN BLACK

LUMEN MULTIPLIER (CRI/CCT)

CCT	80 CRI MULTIPLIER	90 CRI MULTIPLIER
2700K	—	0.98
3000K	—	1.00
3500K	1.21	—

Lumen output will vary by CCT and CRI. See photometric charts for output information. Data in chart reflects 3000K/90 CRI values, unless otherwise noted.

SPECIFICATIONS

WATTAGE	STATIC WHITE		WARM DIM	
	Lumens	Efficacy	Lumens	Efficacy
12W	865	78	699	59
15W	1064	72	888	56
CRI	80+, 90+		90+	
CCT	2700K, 3000K, or 3500K		3000K - 1800K	
COLOR CONSISTENCY	1-step		2-step	
VOLTAGE	120V or 277V			
DIMMING ¹	Standard reverse-phase, forward-phase, TRIAC, and 0-10V dimming down to 1% eLdoLED 0-10 V or DALI-2 down to 0.1% Lutron Hi-lume EcoSystem down to 0.1%			
POWER SUPPLY	Constant current driver with +0.9 power factor and +80% efficiency			
BEAM SPREAD	Interchangeable optics: 20°, 30°, 40°, or 60°			
CEILING APPEARANCE	Flush mount Surface mount (canopy) Conduit mount (j-box) Pendant mount (canopy) Cord mount (canopy)			
CONSTRUCTION	Cylinder: Aluminum			
FINISH	White or Black			
GENERAL LISTINGS	ETL Listed. Damp Location.			
CALIFORNIA TITLE 24	Registered CEC appliance database. Complies with CEC 2019 Title 24 Part 6 (JAB-2016, JAB-2019) (for 90 CRI versions).			
L70	50,000 hours min			
WARRANTY ²	5 years			

Data in chart reflect 3000K/90 CRI values, unless otherwise noted.

Ordering grids available on page 2.

¹See visualcomfort.com for dimmer compatibility.

²Visit visualcomfort.com for specific warranty limitations and details.

ELEMENT™ 2" CYLINDER

FIXED CYLINDER

ORDERING GRIDS

CYLINDER

PRODUCT	MOUNTING	OUTPUT	CRI/CCT	BEAM SPREAD	FUNCTION	REFLECTOR	DRIVERS ⁶	CYLINDER FINISH
EC2R ELEMENT CYLINDERS 2" ROUND	F FLUSH MOUNT ¹	-12 12W	835 80 CRI, 3500, 1-STEP	2 20°	D FIXED DOWNLIGHT	N NO LENS L LENSED/ DECORATIVE ⁵	DRIVERS 120V/277V -UNV UNIVERSAL PHASE/0-10V 1% ⁷ -ELDO ELDOLED 0.1% 0-10V LINEAR -ELDOA ELDOLED 0.1% 0-10V LOGARITHMIC -ELDD ELDOLED 0.1% DALI-2 -HLECO LUTRON HI-LUME 0.1% ECOSYSTEM	-B BLACK -W WHITE
	S SURFACE MOUNT (CANOPY)	-15 15W	927 90 CRI, 2700K, 1-STEP	3 30°				
	P PENDANT MOUNT (CANOPY) ²		930 90 CRI, 3000K, 1-STEP	4 40°				
	D CORD MOUNT (CANOPY) ³		9WD31 90 CRI, WARM DIM, 3000-1800K, 2-STEP	6 60°				
	C CONDUIT MOUNT (J-BOX) ⁴							
EC2R	-			D				

For dimming details, refer to dimmer compatibility chart.

¹F - Flush mount includes an adapter plate to convert junction box before ceiling install and a remote driver enclosure for all driver options.

²P - Pendant mount requires selection of Pendant Stem Accessory Kit. See part numbers below.

³D - Cord mount includes 6 ft. of cord. Contact Quotes Department for longer cord lengths.

⁴C - Conduit mount includes a remote driver enclosure for all driver options.

⁵Standard Cylinder Reflectors do not accommodate lens accessories. Lens/louvers and decorative accessories ordered separately (see part numbers below). Limit 1 optical element. Lenses and louvers are not compatible with decorative accessories. To use with a lens/louver accessory order ELC2LK kit. To use with a decorative accessory order EC2DA kit and specify finish.

⁶The drivers in ELEMENT Cylinders must be located either in the junction box or in a remote location. Reference the Driver J-Box Compatibility Chart below for guidance. When the driver is listed as Remote, a remote enclosure that is 4" x 8" x 1.8" is provided. All non-UNV drivers are remote. All flush and conduit drivers are remote.

⁷UNV - Universal dimming is reverse-phase, forward-phase, TRIAC, and 0-10V. 277V is only compatible with 0-10V dimming.

DRIVER J-BOX COMPATIBILITY CHART

	12W AND 15W UNIVERSAL	12W AND 15W LUTRON/ELDOLED
2" FLUSH MOUNT		
4" OCTAGON	REMOTE	REMOTE
4" SQUARE		
20 CU IN CEILING BOX		
2" SURFACE MOUNT (CANOPY) PENDANT MOUNT (CANOPY)		
4" OCTAGON	FITS IN J-BOX	REMOTE
4" SQUARE		
20 CU IN CEILING BOX		
2" CONDUIT MOUNT (J-BOX) CORD MOUNT (CANOPY)		
4" OCTAGON	REMOTE	REMOTE
4" SQUARE		
20 CU IN CEILING BOX		

REPLACEMENT OPTICS

PRODUCT	BEAM SPREAD
353LEDGATOPT	20 20° 30 30° 40 40° 60 60°

353LEDGATOPT

PENDANT STEMS

PRODUCT ¹	LENGTH ²	FINISH
ECPS	12 12"	B BLACK W WHITE
	24 24"	
	36 36"	
	48 48"	
	60 60"	
	72 72"	

ECPS

¹Required for Pendant Mount only.

²Consult Quotes Department for custom lengths to the inch.

LENS/LOUVER KIT

PRODUCT ¹	TYPE	REFLECTOR FINISH
ELCY2LK	SF SOLITE SOFT FOCUS LENS	B BLACK W WHITE
	SB SANDBLASTED LENS	
	LL LINEAR SPREAD LENS	
	EC EGGCRATE/HEXCELL LOUVER	

ELCY2LK

¹Required for use with lenses or louvers. Kit includes a reflector and one lens or louver. For use with Lensed Reflector Cylinders or to convert a No Lens Reflector. Replacement lenses and louvers can be ordered separately. ELEMENT Cylinders accommodate one lens or louver. Lens/louver kit is not compatible with decorative accessories.

CYLINDERS DECORATIVE ACCESSORIES

PRODUCT ¹	FINISH
EC2DA	SNB SOLID NATURAL BRASS
	CLC CLEAR CRYSTAL
	WAW WALNUT WOOD
	WOW WEATHERED OAK WOOD
	ALB ALABASTER

EC2DA

¹For use with Lensed Reflector Cylinders or to convert a No Lens Reflector Cylinder. Lenses and louvers are not compatible with decorative accessories.

VAULTED CEILING ADAPTER

PRODUCT	FINISH
ELCVA PENDANT MOUNT ¹	B BLACK W WHITE

¹For use with Pendant Mount Cylinder with or without Stems. Accommodates slopes up to 45 degrees. Adds 1.7" to the overall length of the stem.

REPLACEMENT LENSES FOR LENS/LOUVER KIT

PRODUCT ¹	
MOCSF	SOLITE SOFT FOCUS LENS
MOCSB	SANDBLASTED LENS
MOCLL	LINEAR SPREAD LENS
MOCEC	EGGCRATE/HEXCELL LOUVER

¹Lenses and louvers are not compatible with decorative accessories.

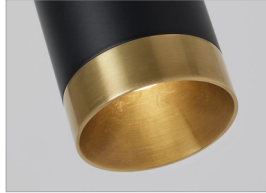
ELEMENT™ 2" CYLINDER

FIXED CYLINDER

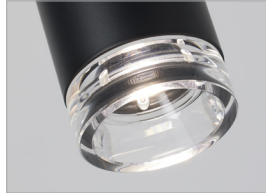
DECORATIVE ACCESSORIES



SOLID NATURAL BRASS



CLEAR CRYSTAL



WALNUT WOOD



WEATHERED OAK WOOD



ALABASTER

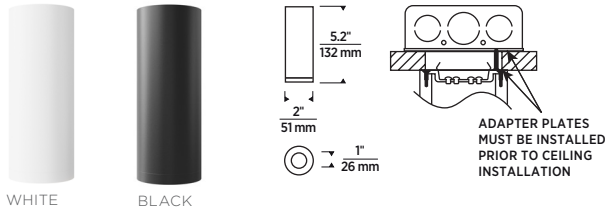


ELEMENT™ 2" CYLINDER

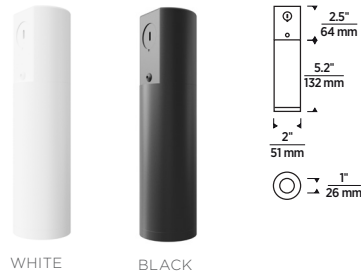
FIXED CYLINDER

CYLINDERS

FLUSH MOUNT



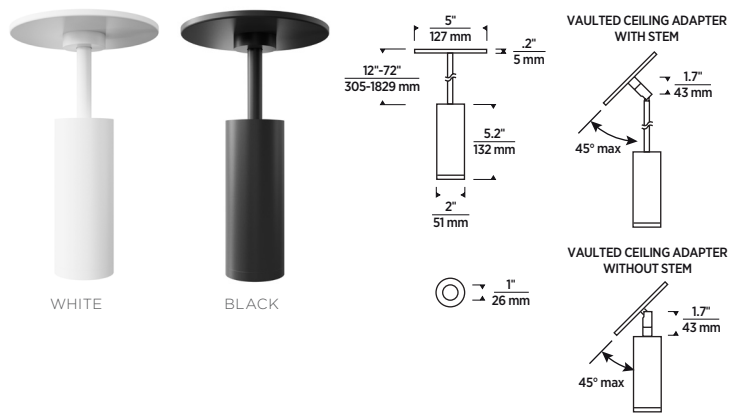
CONDUIT MOUNT (J-BOX)



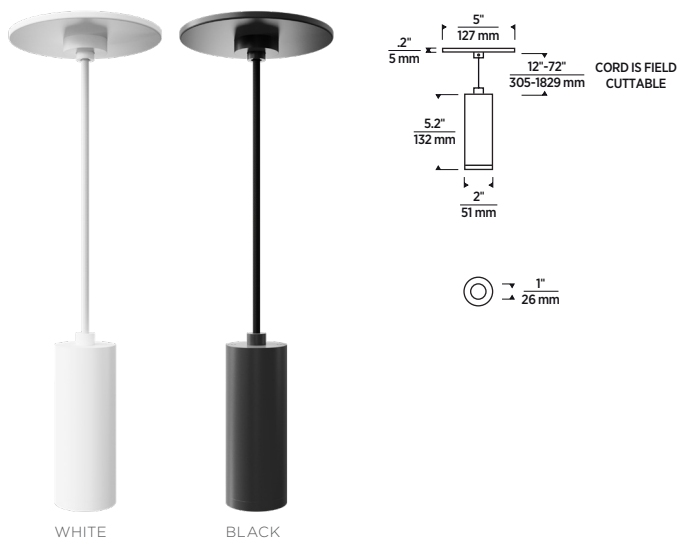
SURFACE MOUNT (CANOPY)



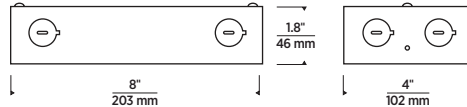
PENDANT MOUNT (CANOPY)



CORD MOUNT (CANOPY)



REMOTE DRIVER J-BOX



ELEMENT™ 2" CYLINDER

FIXED CYLINDER

PHOTOMETRICS

Description: 2" Cylinder Fixed
 20° Beam
 90 CRI, 3000K

Input Power (Watts): 15.19
 Input Power Factor: 0.99
 Absolute Luminous Flux (Lumens): 908
 Lumen Efficacy (Lumens per Watt): 60

Output difference between CCTs - 5%, CRIs - 15%.

Description: 2" Cylinder Fixed
 30° Beam
 90 CRI, 3000K

Input Power (Watts): 14.8
 Input Power Factor: 0.98
 Absolute Luminous Flux (Lumens): 944
 Lumen Efficacy (Lumens per Watt): 64

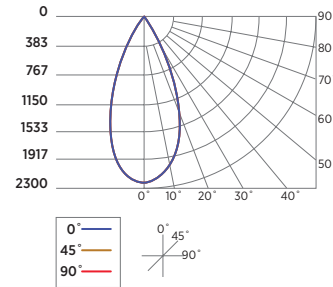
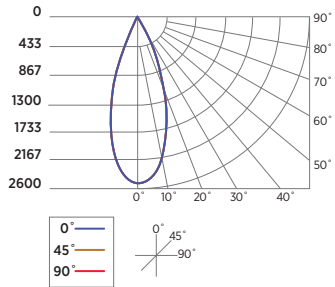
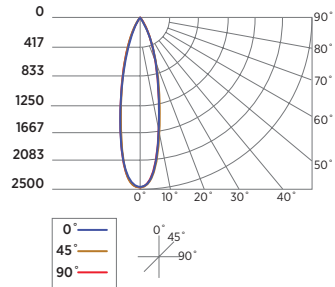
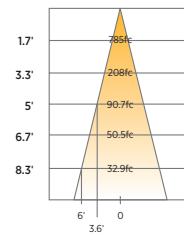
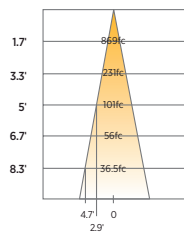
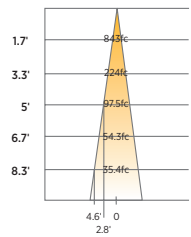
Description: 2" Cylinder Fixed
 40° Beam
 90 CRI, 3000K

Input Power (Watts): 14.8
 Input Power Factor: 0.98
 Absolute Luminous Flux (Lumens): 1063
 Lumen Efficacy (Lumens per Watt): 72

ANGLE	0°	45°	90°
0°	2437	2437	2437
5°	2227	2218	2214
10°	1764	1781	1778
15°	1268	1276	1287
20°	821	835	850
25°	459	466	472
30°	239	243	242
35°	133	134	129
40°	86	86	81
45°	57	57	52
50°	40	42	36
55°	23	24	20
60°	16	16	13
65°	12	12	9
70°	6	7	5
75°	4	5	3
80°	3	3	3
85°	2	2	2
90°	0	0	0

ANGLE	0°	45°	90°
0°	2513	2513	2513
5°	2396	2371	2397
10°	1899	1896	1982
15°	1236	1241	1382
20°	686	713	826
25°	370	382	444
30°	203	202	231
35°	108	111	121
40°	61	62	70
45°	35	36	41
50°	26	26	29
55°	17	16	17
60°	10	10	11
65°	8	7	8
70°	3	3	3
75°	2	2	2
80°	1	1	1
85°	1	1	0
90°	0	0	0

ANGLE	0°	45°	90°
0°	2267	2267	2267
5°	2185	2167	2186
10°	1945	1923	1968
15°	1562	1532	1591
20°	1094	1084	1118
25°	668	653	673
30°	344	330	342
35°	158	156	159
40°	72	68	75
45°	34	33	35
50°	18	18	19
55°	10	10	11
60°	7	7	7
65°	5	5	5
70°	2	2	2
75°	1	1	1
80°	1	1	1
85°	0	0	0
90°	0	0	0



ELEMENT™ 2" CYLINDER

FIXED CYLINDER

PHOTOMETRICS, CONT.

Description: 2" Cylinder Fixed
 60° Beam
 90 CRI, 3000K

Input Power (Watts): 14.9
 Input Power Factor: 0.99
 Absolute Luminous Flux (Lumens): 1150
 Lumen Efficacy (Lumens per Watt): 77

ANGLE	0°	45°	90°
0°	1356	1356	1356
5°	1315	1311	1328
10°	1199	1209	1243
15°	1041	1059	1107
20°	858	871	933
25°	672	678	726
30°	489	489	526
35°	341	339	365
40°	231	227	240
45°	137	134	139
50°	77	73	73
55°	44	40	39
60°	24	22	22
65°	10	8	9
70°	3	3	3
75°	2	2	2
80°	1	1	1
85°	1	1	1
90°	0	0	0

