

Creating a continuous uninterrupted line of beautiful, glare-free LED light, the ELEMENT Merge 1.5 recessed linear system inconspicuously puts light where it is needed without drawing attention to the fixture. The continuous line aesthetic created by the ELEMENT Merge system is enhanced using either a specifically engineered 90° turn connector or wall-to-ceiling connector. Lines of LED light can be designed to seamlessly make 90° same-plane turns or transition from ceiling to wall for enhanced design interest while also allowing the option to add spot heads for accent and task lighting, all without adding more light fixtures to the space.

Key Features:

- Optional illuminated 90° horizontal (same plane) transitions (not available in Lay-in)
- Low profile design for use in 2x4 construction
- Dual sided illumination for even light along the channel
- 3-Step or better color binning
- Internal reflector finished with high-reflectance matte white paint for even light distribution & optimal efficiency

SPECIFICATIONS

	HIGH OUTPUT	STANDARD OUTPUT
DELIVERED LUMENS	650 lms/ft	450 lms/ft
WATTS	12 watts/ft	7 watts/ft
EFFICACY	54 l/w (80CRI, 3500K)	64 l/w (80CRI, 3500K)
CRI	80+, 90+	
CCT OPTIONS	2700K, 3000K, 3500K or Warm Color Dimming (3000K-2000K)	
COLOR CONSISTENCY	3-Step	
VOLTAGE	120V or 277V (Concealed 10 gauge, low-voltage bus bar, order 12-volt remote transformer sold separately)	
DIMMING	ELV/0-10V (Down to 5%) Lutron Hi-Lume Ecosystem Fade-To-Black or PWM (Down to 1%) eldoLED 0-10V (Down to 0.1%)	
CEILING APPEARANCE	Flanged: field paintable, with 4.8" width overlapping ceiling cutout. Flangeless Lay-In: T-Grid optimized for 9/16" or 15/16"	
CEILING APERTURE	1.5" beveled aperture	
HOUSING	IC Airtight. IC suitable up to R60 spray foam insulation (Consult factory for Chicago Plenum).	
POWER SUPPLY**	Constant Current (Each linear channel includes a self-contained ELV, 0-10V, Lutron Hi-Lume 2 Wire PWM (120V only) or Lutron Hi-Lume, Eco System Fade-to-Black Driver, 0-10V 1%, 0-10V 0.1%)	
CONSTRUCTION	Housing: 20 gauge sheet metal Extrusion: Aluminum	
HARDWARE	Steel	
FINISH	White Powder Coat	
GENERAL LISTING	ETL	
CALIFORNIA TITLE 24	Registered CEC Appliance Database. Can be used to comply with CEC 2016 Title 24 Part 6 (Static White, 90 CRI versions).	
LED LIFETIME	L70; 50,000 hours	
WARRANTY*	5 years	



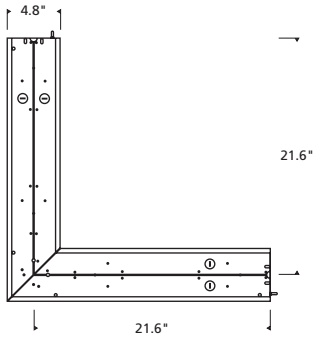
MERGE
shown flanged

*Visit ELEMENT-lighting.com for specific warranty limitations and details.

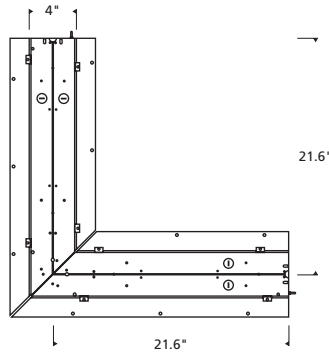
**Consult Quotes Department for additional driver options.

Max run length is 80' for the channel; typical max run length is 40' for the low-voltage bus which can be powered from both sides for a total of 80'; system wattage will impact max run length

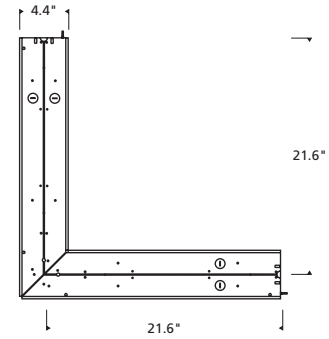
DIMENSIONS



Flanged 90° L connector (top view)



Flangeless 90° L connector (top view)



Lay-In 90° L connector (top view)

GRIDS

CONNECTOR/TRANSITION

SYSTEM	TYPE	CEILING APPEARANCE	OUTPUT	CRI/CCT	FINISH	HOUSING	DRIVER
RLS1	L "L" CONNECTOR	RF RECESSED FLANGED	H HIGH OUTPUT, 650 LMS/FT	835 80 CRI, 3500K	W MATTE WHITE	I IC	-ELV0 ELV/0-10V DIMMING UNV†
		RL RECESSED FLANGELESS	S STANDARD OUTPUT, 450 LMS/FT	927 90 CRI, 2700K			-ELD0 ELD/0.1% 0-10V LINEAR†
		LI LAY-IN (T-GRID)		930 90 CRI, 3000K			-ELD0A ELD/0.1% 0-10V LOGARITHMIC UNV†
				935 90 CRI, 3500K			-ELD1 ELD/0.1% 0-10V LINEAR UNV†
				WD 90 CRI, WARM DIM, 3000K-2000K			-ELD1A ELD/0.1% 0-10V LOGARITHMIC UNV†
							-HL2W LUTRON HI-LUME 1% 2 WIRE / PWM*
							-HLECO LUTRON HI-LUME 1% ECO-SYSTEM FADE-TO-BLACK UNV†
RLS1	L				W	I	-

*HL2W - 2-WIRE LOW-VOLTAGE ELECTRONIC DIMMING, 120V ONLY.
†UNV = 120V/277V INPUT VOLTAGE

PROJECT INFO

FIXTURE TYPE & QUANTITY	JOB NAME & INFO	NOTES