

MERGE™ 1.5

DROP DOWN SPOT HEAD

Creating a continuous uninterrupted line of beautiful, glare-free LED light, the ELEMENT Merge 1.5 recessed linear system inconspicuously puts light where it is needed without drawing attention to the fixture. The ELEMENT Merge 1.5 Drop-Down Spot head option allows you to simply twist-and-lock LED adjustable spot heads anywhere along the low-voltage bus channel for stunning design flexibility. Options for beam spread and color temperature allow designers to specify a system tailored to exacting demands. The Merge 1.5 Drop-Down Spot allows maximum aimability and utilizes the merge freejack adapter. For further design options, the FreeJack adapter allows any Tech Lighting low-voltage head or pendant to be mounted from the ELEMENT Merge 1.5 system making it remarkably versatile.

Spot lamping

- Drop-down spot head extends beneath the linear channel to minimize cut-off at higher angle aiming
- 3-Step or better color binning
- Includes Merge FreeJack adapter

SPECIFICATIONS

DELIVERED LUMENS	669 (90CRI, 3500K)
WATTS	9.3
EFFICACY	72 l/w
CRI	90+
CBCP (40°)	1394
CCT OPTIONS	2700K, 3000K, 3500K
COLOR CONSISTENCY	3-Step
VOLTAGE	120V or 277V (Concealed 10 gauge, low-voltage bus bar, order 12-volt remote transformer sold separately)
DIMMING	ELV, 0-10V, MLV. Dimming dependant on transformer (see grid for details)
FIELD CHANGEABLE OPTICS	20°, 30°, 40°, 60°
ADJUSTABILITY	90° tilt, 360° rotation
POWER SUPPLY	12VAC
LED LIFETIME	L70; 50,000 hours
WARRANTY*	5 years



*Visit techlighting.com for specific warranty limitations and details.

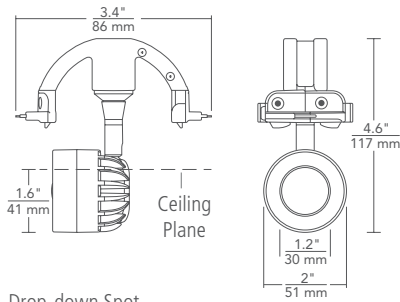
Maximum number of spots is variable depending on the length of the housing panel; 1 spot per foot of housing panel.

Max run length is 80' for the channel; typical max run length is 40' for the low-voltage bus which can be powered from both sides for a total of 80'; system wattage will impact max run length

MERGE™ 1.5

DROP DOWN SPOT HEAD

DIMENSIONS



Drop-down Spot

GRIDS

SPOT HEAD*

SYSTEM	TYPE	CRI / COLOR TEMPERATURE	BEAM SPREAD	FINISH
RLS1	D DROP DOWN	927 90 CRI, 2700K	2 20°	W MATTE WHITE
		930 90 CRI, 3000K	3 30°	
		935 90 CRI, 3500K	4 40°	
			6 60°	
RLS1	D			W

*TRANSFORMER REQUIRED

LENSES/LOUVERS

MOC	TYPE
MOC	GG PLAIN GLASS
	SF SOFT FOCUS
	LL LINEAR SPREAD
	EC EGGRATE LOUVER
	LS1-W 1" LONG SNOOT WHITE
	LS12-W 1/2" LONG SNOOT WHITE

MOC

REPLACEMENT OPTICS

353LEDGATOPT	BEAM SPREAD
353LEDGATOPT	20 20°
	30 30°
	40 40°
	60 60°
353LEDGATOPT	

TRANSFORMERS* (ORDERED SEPARATELY)

ITEM	DESCRIPTION	DIMMING
700AT060EL	ELECTRONIC, 60W, 120V	ELV
700AT152EL	ELECTRONIC, 150W, 120V	ELV
700AT152ELD010	ELECTRONIC, 150W, 120V	0-10V
700AT150T	MAGNETIC, 150W, 120V	MAGNETIC
700AT150T277	MAGNETIC, 150W, 277V	MAGNETIC
700AT302EL	ELECTRONIC, 300W, 120V	ELV
700AT300T	MAGNETIC, 300W, 120V	MAGNETIC
700AT300T277	MAGNETIC, 300W, 277V	MAGNETIC

DO NOT LOAD TRANSFORMER ABOVE 70% OF RATED LOAD DUE TO IN-RUSH CURRENT. *CONSULT SPEC SHEETS FOR DIMENSIONS.

PROJECT INFO

FIXTURE TYPE & QUANTITY	JOB NAME & INFO	NOTES

TECH LIGHTING
VISUAL COMFORT & Co.

7400 Linder Avenue, Skokie, Illinois 60077
T 847.410.4400 F 847.410.4500



© 2020 Tech Lighting, L.L.C. All rights reserved. The "Tech Lighting" graphic is a registered trademark. Tech Lighting reserves the right to change specifications for product improvements without notification.

MERGE™ 1.5

DROP DOWN SPOT HEAD

PHOTOMETRICS: MERGE

DESCRIPTION: Merge LED Drop Down Spot
40° Optic, 90 CRI, 3500K

MODEL: RLS1D9354W

INPUT POWER (WATTS): 9.3
 INPUT POWER FACTOR: 0.91
 ABSOLUTE LUMINOUS FLUX (LUMENS): 669
 LUMEN EFFICACY (LUMENS PER WATT): 72

ANGLE	0°	45°	90°
0°	1394	1394	1394
5°	1343	1343	1352
10°	1207	1210	1218
15°	995	987	992
20°	694	686	706
25°	408	405	414
30°	197	202	214
35°	94	96	101
40°	45	48	50
45°	24	26	26
50°	15	15	16
55°	10	10	11
60°	7	7	8
65°	5	6	6
70°	3	3	3
75°	2	2	2
80°	1	1	1
85°	0	0	0
90°	0	0	0

