

# ENTRA™ 3" CYLINDER

## WALL WASH CYLINDER

The ENTRA 3" Wall Wash Cylinder provides a cost-effective option with a modern aesthetic for residential, hospitality and commercial applications. ENTRA 3" Wall Wash Cylinders are a great solution for illumination in exposed ceiling applications. Mounting options include Flush Mount, Surface Mount, Pendant Mount, and Conduit Mount. LED is recessed in the cylinder minimizing glare with warm dimming and static white options. Available in Black, Brushed Aluminum, and White (field paintable).

- Optimized wall wash beam distribution
- 1-step standard color binning for static white



SHOWN IN WHITE

### LUMEN MULTIPLIER (CRI/CCT)

| CCT   | 80 CRI MULTIPLIER | 90 CRI MULTIPLIER |
|-------|-------------------|-------------------|
| 2700K | —                 | 0.75              |
| 3000K | —                 | 0.80              |
| 3500K | 1.00              | —                 |

Lumen output will vary by CCT and CRI. See photometric charts for output information. Data in chart reflects 3500K/80 CRI values, unless otherwise noted.

### SPECIFICATIONS

|                       | STATIC WHITE   |          | WARM DIM      |          |
|-----------------------|--|----------|---------------|----------|
| WATTAGE               | Lumens   | Efficacy | Lumens        | Efficacy |
| 12W                   | 856  | 76       | 526           | 45       |
| 15W                   | 1066   | 72       | 677           | 44       |
| 19W                   | 1275   | 70       | 806           | 40       |
| CRI                   | 80+, 90+   |          | 90+           |          |
| CCT                   | 2700K, 3000K, or 3500K   |          | 3000K - 1800K |          |
| COLOR CONSISTENCY     | 1-step   |          | 2-step        |          |
| VOLTAGE               | 120V or 277V   |          |               |          |
| DIMMING <sup>1</sup>  | Standard reverse-phase, forward-phase, TRIAC, and 0-10V dimming down to 1% for 12W and 15W, and 5% for 19W <sup>1</sup><br>eldoLED 0-10V or DALI-2 down to 0.1%<br>Lutron Hi-lume EcoSystem down to 0.1% |          |               |          |
| POWER SUPPLY          | Constant current driver with +0.9 power factor and +80% efficiency   |          |               |          |
| CEILING APPEARANCE    | Flush mount<br>Surface Mount (Canopy)<br>Pendant Mount (Canopy)<br>Conduit Mount (J-Box)   |          |               |          |
| CONSTRUCTION          | Cylinder: Aluminum   |          |               |          |
| FINISH                | Reflector: White, Black, or Brushed Aluminum<br>Cylinder: White, Black, or Brushed Aluminum  |          |               |          |
| GENERAL LISTINGS      | ETL Listed. Damp Location.   |          |               |          |
| CALIFORNIA TITLE 24   | Registered CEC appliance database. Complies with CEC 2019 Title 24 Part 6 (JA8-2016, JA8-2019) (for 90 CRI versions).  |          |               |          |
| L70                   | 50,000 hours min   |          |               |          |
| WARRANTY <sup>2</sup> | 5 years  |          |               |          |

Data in chart reflects 3500K/80 CRI values, unless otherwise noted.

Ordering grids available on page 2.

<sup>1</sup>See [visualcomfort.com](http://visualcomfort.com) for dimmer compatibility.

<sup>2</sup>Visit [visualcomfort.com](http://visualcomfort.com) for specific warranty limitations and details.

# ENTRA™ 3" CYLINDER

## WALL WASH CYLINDER

### ORDERING GRIDS

#### CYLINDER

| PRODUCT                                | MOUNTING                                     | OUTPUT                     | CRI/CCT   | FUNCTION            | DRIVERS  | REFLECTOR FINISH   | CYLINDER FINISH   |
|--|--|----------------------------|---|---------------------|--|--|---|
| <b>ENCY3R</b> ENTRA CYLINDERS 3" ROUND | <b>F</b> FLUSH MOUNT <sup>1</sup>            | <b>-L12</b> 12W (1400 LMS) | <b>835</b> 80 CRI, 3500, 1-STEP                 | <b>WW</b> WALL WASH | <b>INTEGRATED DRIVERS 120V/277V</b><br><b>-UNV</b> UNIVERSAL PHASE/0-10V 1%/5% <sup>4</sup>  | <b>-B</b> BLACK<br><b>-W</b> WHITE<br><b>-A</b> BRUSHED ALUMINUM | <b>B</b> BLACK<br><b>W</b> WHITE<br><b>A</b> BRUSHED ALUMINUM |
|  | <b>S</b> SURFACE MOUNT (CANOPY)              | <b>-L15</b> 15W (1800 LMS) | <b>927</b> 90 CRI, 2700K, 1-STEP                |                     |  |  |   |
|  | <b>C</b> CONDUIT MOUNT (J-BOX) <sup>2</sup>  | <b>-L19</b> 19W (2250 LMS) | <b>930</b> 90 CRI, 3000K, 1-STEP                |                     |  |  |   |
|  | <b>P</b> PENDANT MOUNT (CANOPY) <sup>3</sup> |                            | <b>9WD</b> 90 CRI, WARM DIM, 3000-1800K, 2-STEP |                     |  |  |   |
|  |  |                            |   |                     | <b>REMOTE DRIVERS 120V/277V<sup>5</sup></b><br><b>-ELDO</b> ELDOLED 0.1% 0-10V LINEAR<br><b>-ELDOA</b> ELDOLED 0.1% 0-10V LOGARITHMIC<br><b>-ELDD</b> ELDOLED 0.1% DALI-2<br><b>-HLECO</b> LUTRON HI-LUME 0.1% ECOSYSTEM |  |   |
| <b>ENCY3R</b>                          |  | -                          |   | <b>WW</b>           | -  | -  |   |

For dimming details, refer to dimmer compatibility chart.

<sup>1</sup>F - Flush Mount includes adapter plate to assemble to standard 4" square or octagonal junction box prior to ceiling install.

<sup>2</sup>C - Conduit Mount includes custom junction box assembled at/below the ceiling.

<sup>3</sup>P - Pendant Mount for use with ECPS Cylinders pendant stems.

<sup>4</sup>UNV - Universal dimming is reverse-phase, forward-phase, TRIAC, and 0-10V. 277V is only compatible with 0-10V dimming. Dims down to 1% for 12W and 15W outputs, and 5% for 19W output.

<sup>5</sup>Remote drivers ship in 4" x 8" x 1.8" black enclosure for remote location mounting.

#### PENDANT STEMS

| PRODUCT <sup>1</sup> | LENGTH <sup>2</sup> | FINISH                    |
|----------------------|---------------------|---------------------------|
| <b>ECPS</b>          | <b>12</b> 12"       | <b>B</b> BLACK            |
|                      | <b>24</b> 24"       | <b>W</b> WHITE            |
|                      | <b>36</b> 36"       | <b>A</b> BRUSHED ALUMINUM |
|                      | <b>48</b> 48"       |                           |
|                      | <b>60</b> 60"       |                           |
|                      | <b>72</b> 72"       |                           |

#### ECPS

<sup>1</sup>Required for Pendant Mount only.

<sup>2</sup>Consult Quotes Department for custom lengths to the inch.

#### VAULTED CEILING ADAPTER

| PRODUCT                                 | FINISH                    |
|---|---------------------------|
| <b>ECVA</b> PENDANT MOUNT <sup>1</sup>  | <b>B</b> BLACK            |
| <b>ECVAD</b> SURFACE MOUNT <sup>2</sup> | <b>W</b> WHITE            |
|   | <b>A</b> BRUSHED ALUMINUM |

<sup>1</sup>For use with Pendant Mount. Adds 1.7" to the overall length of the stem. Accommodates slopes up to 45 degrees.

<sup>2</sup>For use with Surface Mount. Accommodates slopes up to 45 degrees.



# ENTRA™ 3" CYLINDER

## WALL WASH CYLINDER

### CYLINDERS

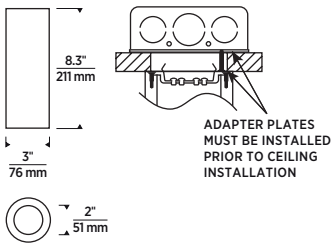
#### FLUSH MOUNT



WHITE

BRUSHED ALUMINUM

BLACK



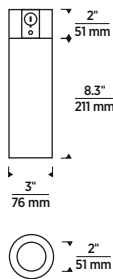
#### CONDUIT MOUNT (J-BOX)



WHITE

BRUSHED ALUMINUM

BLACK



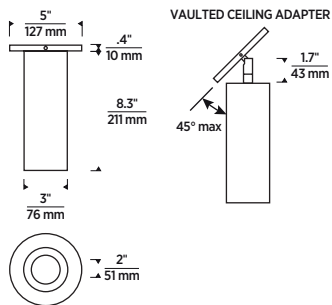
#### SURFACE MOUNT (CANOPY)



WHITE

BRUSHED ALUMINUM

BLACK



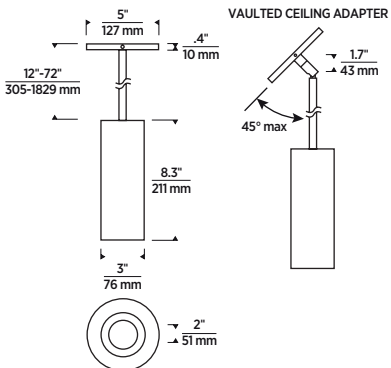
#### PENDANT MOUNT (CANOPY)



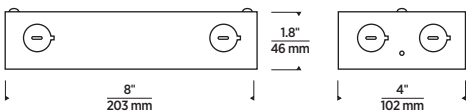
WHITE

BRUSHED ALUMINUM

BLACK



#### REMOTE DRIVER J-BOX



# ENTRA™ 3" CYLINDER

## WALL WASH CYLINDER

### PHOTOMETRICS

Description: 3" Cylinder Wall Wash  
80 CRI, 3500K

Input Power (Watts): 18.3  
Input Power Factor: 0.99

Absolute Luminous Flux (Lumens): 1275  
Lumen Efficacy (Lumens per Watt): 70

Description: 3" Cylinder Wall Wash  
90 CRI, Warm Dim

Input Power (Watts): 20.1  
Input Power Factor: 0.98

Absolute Luminous Flux (Lumens): 806  
Lumen Efficacy (Lumens per Watt): 40

| ANGLE | 0°  | 45° | 90° |
|-------|-----|-----|-----|
| 0°    | 702 | 702 | 702 |
| 5°    | 707 | 703 | 700 |
| 10°   | 705 | 704 | 693 |
| 15°   | 697 | 701 | 679 |
| 20°   | 687 | 689 | 657 |
| 25°   | 671 | 665 | 614 |
| 30°   | 644 | 622 | 548 |
| 35°   | 592 | 540 | 465 |
| 40°   | 499 | 420 | 374 |
| 45°   | 358 | 302 | 254 |
| 50°   | 200 | 187 | 182 |
| 55°   | 136 | 131 | 145 |
| 60°   | 102 | 99  | 106 |
| 65°   | 67  | 66  | 68  |
| 70°   | 43  | 39  | 42  |
| 75°   | 28  | 25  | 022 |
| 80°   | 17  | 15  | 12  |
| 85°   | 8   | 6   | 5   |
| 90°   | 0   | 0   | 0   |

| ANGLE | 0°   | 45° | 90° |
|-------|------|-----|-----|
| 0°    | 325  | 325 | 325 |
| 5°    | 286  | 297 | 324 |
| 10°   | 2259 | 277 | 320 |
| 15°   | 244  | 262 | 317 |
| 20°   | 236  | 250 | 313 |
| 25°   | 232  | 238 | 309 |
| 30°   | 227  | 224 | 302 |
| 35°   | 214  | 206 | 288 |
| 40°   | 195  | 186 | 262 |
| 45°   | 170  | 160 | 220 |
| 50°   | 139  | 127 | 157 |
| 55°   | 96   | 87  | 105 |
| 60°   | 69   | 66  | 72  |
| 65°   | 49   | 47  | 49  |
| 70°   | 32   | 29  | 31  |
| 75°   | 21   | 19  | 16  |
| 80°   | 13   | 11  | 9   |
| 85°   | 6    | 5   | 4   |
| 90°   | 0    | 0   | 0   |

