

WHY ELEMENT?



ELEMENT
by Tech Lighting®

ELEMENT-lighting.com



Product: 3" LED Adjustable Downlight (Round / Bevel / Flangeless / White)

Photographer: Mark Mahaney
Lighting Designer: Pritchard Peck
Architect: WRNS

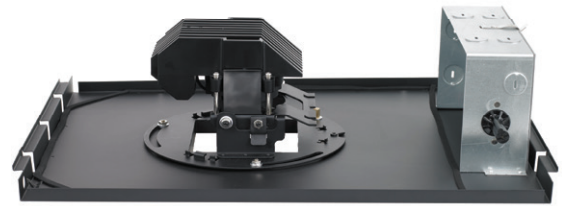


WHY ELEMENT?

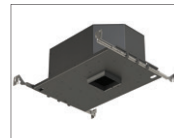
What matters to you, matters to us:

ABOVE THE CEILING MATTERS

Thoughtful engineering makes complex solutions elegantly simple. We take great care to ensure the highest quality components and assembly methods are used, so you can rest assured even the things you can't see are exceptional.



Multiple Installation Options:



New Construction (Non-IC)



New Construction (IC & Chicago Plenum)

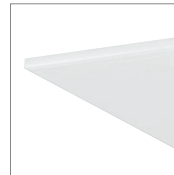


Remodel

AT THE CEILING MATTERS

Highly engineered housings deserve premium trims. Every ELEMENT trim is made of either die cast aluminum or a single sheet of cold rolled steel then powder coated to ensure durability and reduced glare.

Refined Trim Appearance:



Die-Cast Aluminum

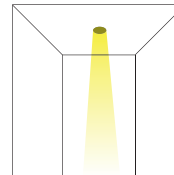


Cold Rolled Steel (Multiples / BYOM only)

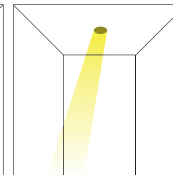
BELOW THE CEILING MATTERS

Beautiful aesthetics cannot come at the expense of poor performance, so every ELEMENT fixture delivers beautiful light. After installation, we are committed to delivering the highest level of customer service and support in the industry.

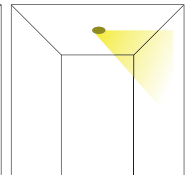
Multiple Application Styles:



Fixed



Adjustable



Wall Wash

ELEMENT DOWNLIGHTS

OVERVIEW

ELEMENT is a modern interpretation of specification-grade downlighting, expertly engineered to deliver critically specified light for any environment. Since its inception, ELEMENT has been defined by the needs of the design community. Our goal is to design for you – to help solve real lighting challenges.

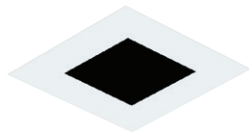
DOWNLIGHTS



2"

Where smaller is better, minimal 1.4" aperture delivers high output LED performance, full adjustability, and commercial grade construction.

LED
Adjustable / Wall Wash
Remodel Adj / Wall Wash

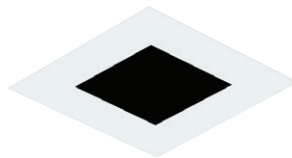


3"

Small aperture downlights offer full adjustability and unique patented high-low lamp positioning; high performance LED option packages; available in LED or Halogen platforms.

LED
Adjustable
Dual Adjustable
Low-Profile Adjustable
Remodel Adjustable
Fixed
Low-Profile Fixed
Remodel Fixed
Ultra-Shallow Fixed
Wall Wash

HALOGEN
Adjustable
Dual Adjustable
Low-Profile Adjustable
Remodel Adjustable
Fixed
Low-Profile Fixed
Wall Wash



4"

Ideal for maximum LED light output in environments with higher ceilings, yet where a small aperture aesthetic is desired.

LED
Adjustable
Low-Profile Adjustable
Fixed
Wall Wash



6"

Offers a fully engineered solution to upgrade standard 6" recessed downlights. With the latest LED technology and efficiency, as well as patented 0-35° tilt / 360° rotation hot-aiming and tool-free locking system.

LED
Adjustable Retrofit

TABLE OF CONTENTS

6-7 Specification Summary
8-17 Downlight Features & Benefits

18-19 Multiples
20-21 BYOM (Build-Your-Own Multiples)

22-23 Reflections
24-27 Applications

MULTIPLES



Redefining and elevating the recessed multiples category with meticulous design and engineering. While other multiples can be bulky with visible hardware and electrical components, ELEMENT LED Multiples present a beautiful and uniquely smooth appearance.

LED

Open / Trimmed
1x1, 1x2, 1x3, 1x4, 2x2
Spots, General Illumination, Wall Wash

BYOM



Built on the foundation of an easily configurable modular grid frame system, Build-Your-Own Multiples (BYOM) allow the creation of totally unique, never-before-achievable LED lighting arrays to fulfill both challenging space needs and a designer's vision.

LED

Build-Your-Own Multiples
Spots, General Illumination, Wall Wash

REFLECTIONS

Innovative, first-of-its-kind technology in architectural downlights, ELEMENT Reflections combines decorative recessed domes with beautifully-controlled indirect LED illumination. Offered in 5", 8" and 12" diameters, with a choice of 5 unique dome designs.



Bloom



Fleur



Dune



Torus



Skye

SPECIFICATION SUMMARY

	5 YEAR WARRANTY	DELIVERED LUMENS*	WATTS	EFFICACY (L/W)	CBCP**	CRI	CCT
2" LED	ADJUSTABLE / WALL WASH / REMODEL	950-1514	12-18	79-91 L/W	20°-5136 30°-4644 40°-3050 60°-1764	80+ / 90+ Warm Dim: 90+	2700K, 3000K, 3500K, Warm Dim (3000K-1800K)
3" LED	ADJUSTABLE / FIXED / WALL WASH	675-1786	12-18	48-99 L/W	10°-13,420 15°-5618 25°-3856 40°-1575	80 / 95+ Warm Dim: 90+	2700K, 3000K, 3500K, Warm Dim (3000K-1800K) Programmable White (1600K-4000K)
	DUAL ADJUSTABLE	1700-3572	24-36	61-99 L/W	10°-13,420 15°-5618 25°-3856 40°-1575	80/90 Warm Dim: 90+	2700K, 3000K, 3500K, Warm Dim (3000K-1800K)
	ULTRA-SHALLOW FIXED	1010-1786	12-18	84-99 L/W	15°-5618 25°-3856 40°-1575	80/90 Warm Dim: 90+	2700K, 3000K, 3500K, Warm Dim (3000K-1800K)
	LOW-PROFILE ADJUSTABLE / FIXED	1010-1786	12-18	84-99 L/W	10°-13,420 15°-5618 25°-3856 40°-1575	80/90 Warm Dim: 90+	2700K, 3000K, 3500K, Warm Dim (3000K-1800K)
	REMODEL ADJUSTABLE	675-1786	12-18	48-99 L/W	10°-13,420 15°-5618 25°-3856 40°-1575	80/95+ Warm Dim: 90+	2700K, 3000K, 3500K, Warm Dim (3000K-1800K) Programmable White (1600K-4000K)
3" HALOGEN	ADJUSTABLE / FIXED / WALL WASH	MR16 Lamp	Lamp Dependant	N/A	N/A	N/A	N/A
	DUAL ADJUSTABLE	MR16 Lamp (x2)	Lamp Dependant	N/A	N/A	N/A	N/A
	LOW PROFILE ADJUSTABLE / FIXED	MR16 Lamp	Lamp Dependant	N/A	N/A	N/A	N/A
	REMODEL ADJUSTABLE	MR16 Lamp	Lamp Dependant	N/A	N/A	N/A	N/A
4" LED	ADJUSTABLE / FIXED / WALL WASH	1075-3300	18-32	29-103 L/W	10°-22,000 18°-7466 25°-7499 40°-4330 21°-5306 43°-2740 60°-1690	80+ / 95+ Warm Dim: 90+	2700K, 3000K, 3500K, Warm Dim (3000K-1800K) Programmable White (1600K-4000K)
	LOW-PROFILE ADJUSTABLE	1100-3300	18-32	61-103 L/W	10°-22,000 18°-7466 25°-7499 40°-4330	80+ / 90+ Warm Dim: 90+	2700K, 3000K, 3500K, Warm Dim (3000K-1800K)
6" LED	RETROFIT	800 - 1000	10-14.5	70-80 L/W	40°-2096	90	2700K, 3000K
MULTIPLES BUILD-YOUR-OWN MULTIPLES	ADJUSTABLE SPOT TRIMMED / OPEN / BYOM	1050-1370	12-18	73-88 L/W	Adjustable Spot: 20°-4179 30°-2770 40°-2454 60°-1435	80+/90+	2700K, 3000K, 3500K
	GENERAL ILLUMINATION OPEN / BYOM	620-1130	12-18	52-62 L/W	N/A	80+/90+	2700K, 3000K, 3500K
	WALL WASH OPEN /BYOM	610-1104	12-18	51-61 L/W	N/A	80+/90+	2700K, 3000K, 3500K
REFLECTIONS	5" APERTURE	684	9.2	74.1	N/A	90+	2700K, 3000K, 3500K, Warm Dim (3000K-2000K)
	8" APERTURE	1175	15.9	73.9	N/A	90+	2700K, 3000K, 3500K, Warm Dim (3000K-2000K)
	12" APERTURE	1925	31.8	60.6	N/A	90+	2700K, 3000K, 3500K, Warm Dim (3000K-2000K)

* Range based on available wattages and LED solutions. ** See downloadable online IES files for supporting data at ELEMENT-lighting.com

	5 YEAR WARRANTY	DIMMING PROTOCOL	OPTICS	ADJUSTABILITY	CEILING APPEARANCE	APERTURE	HOUSING
2" LED	ADJUSTABLE / WALL WASH / REMODEL	Triac, ELV, 0-10V	20°, 30°, 40°, 60°, Wall Wash	0-45° Tilt, 361° Rotation, Hi-Low Lamp Positioning	Flanged / Flangeless	1.4" Trim Aperture 2.75" Ceiling Cut-Out	IC Airtight Non-IC Chicago Plenum
3" LED	ADJUSTABLE / FIXED / WALL WASH	Triac, ELV, 0-10V, Lutron, Bluetooth, eldoLED	10°, 15°, 21°, 25°, 40°, 43°, 60°	0-40° Tilt, 361° Rotation, Hi-Low Lamp Positioning	Flanged / Flangeless	1.7" Trim Aperture 3-7/8" Ceiling Cut-Out	IC Airtight Non-IC Airtight Chicago Plenum Emergency Back-Up
	DUAL ADJUSTABLE	Triac, ELV, 0-10V, Lutron, eldoLED	10°, 15°, 25°, 40°	0-40° Tilt, 361° Rotation	Flanged / Flangeless	1.7" Trim Aperture 3-7/8" Ceiling cut out	IC (Low Output Only) Non-IC Airtight Chicago Plenum
	ULTRA-SHALLOW FIXED	Triac, ELV, 0-10V	15°, 25°, 40°	N/A	Flanged / Flangeless	1.7" Trim Aperture 3-7/8" Ceiling Cut-Out	IC Airtight, Non-IC Airtight Chicago Plenum
	LOW-PROFILE ADJUSTABLE / FIXED	Triac, ELV, 0-10V	10°, 15°, 25°, 40°	0-40° Tilt, 361° Rotation	Flanged / Flangeless	1.7" Trim Aperture 3-7/8" Ceiling Cut-Out	IC Airtight Non-IC Airtight Chicago Plenum
	REMODEL ADJUSTABLE	Triac, ELV, 0-10V	10°, 15°, 21°, 25°, 40°, 43°, 60°	0-40° Tilt, 361° Rotation, Hi-Low Lamp Positioning	Flanged / Flangeless	1.7" Trim Aperture 3-7/8" Ceiling Cut-Out	Non-IC
3" HALOGEN	ADJUSTABLE / FIXED / WALL WASH	ELV or MLV	N/A	0-40° Tilt, 361° Rotation, Hi-Low Lamp Positioning	Flanged / Flangeless	1.7" Trim Aperture 3-7/8" Ceiling Cut-Out	IC Airtight Non-IC Airtight Chicago Plenum
	DUAL ADJUSTABLE	ELV or MLV	N/A	0-40° Tilt, 361° Rotation	Flanged / Flangeless	1.7" Trim Aperture 3-7/8" Ceiling Cut-Out	IC Airtight (35w Max) Non-IC Airtight Chicago Plenum
	LOW PROFILE ADJUSTABLE / FIXED	ELV or MLV	N/A	0-40° Tilt, 361° Rotation	Flanged / Flangeless	1.7" Trim Aperture 3-7/8" Ceiling Cut-Out	Non-IC Airtight
	REMODEL ADJUSTABLE	ELV or MLV	N/A	0-35° Tilt, 361° Rotation	Flanged	1.7" Trim Aperture 3-7/8" Ceiling Cut-Out	Non-IC
4" LED	ADJUSTABLE / FIXED / WALL WASH	Triac, ELV, 0-10V, Lutron, Bluetooth, eldoLED	10°, 18°, 21°, 25°, 40°, 43°, 60°	0-40° Tilt, 361° Rotation, Hi-Low Lamp Positioning	Flanged / Flangeless	2.8" Trim Aperture 4-1/2" Ceiling Cut-Out	IC Airtight Non-IC Airtight Chicago Plenum Emergency Back-Up
	LOW-PROFILE ADJUSTABLE	Triac, ELV, 0-10V	10°, 18°, 25°, 40°	0-35° Tilt, 361° Rotation	Flanged / Flangeless	2.8" Trim Aperture 4-1/2" Ceiling Cut-Out	Non-IC Airtight Chicago Plenum
6" LED	RETROFIT	Triac, ELV	40°	0-35° Tilt, 361° Rotation	Retrofit	N/A	N/A
MULTIPLES BUILD-YOUR-OWN MULTIPLES	ADJUSTABLE SPOT TRIMMED / OPEN / BYOM	Triac, ELV, 0-10V	20°, 30°, 40°, 60°	0-35° Tilt, 360° Rotation	Flanged / Flangeless	5"x5" Ceiling Cut-Out (1x1)	IC Airtight (Low Output Only) Non-IC Airtight Chicago Plenum
	GENERAL ILLUMINATION OPEN / BYOM	Triac, ELV, 0-10V	N/A	N/A	Flanged / Flangeless	5"x5" Ceiling Cut-Out (1x1)	IC Airtight (Low Output Only) Non-IC Airtight Chicago Plenum
	WALL WASH OPEN /BYOM	Triac, ELV, 0-10V	N/A	N/A	Flanged / Flangeless	5"x5" Ceiling Cut-Out (1x1)	IC Airtight (Low Output Only) Non-IC Airtight Chicago Plenum
REFLECTIONS	5" APERTURE	Triac, ELV, 0-10V, Lutron, Dali, eldoLED	N/A	N/A	Flanged / Flangeless	Trim Aperture: 4" Ceiling Aperture: 6"	IC Airtight Chicago plenum
	8" APERTURE	Triac, ELV, 0-10V, Lutron, Dali, eldoLED	N/A	N/A	Flanged / Flangeless	Trim Aperture: 6.05" Ceiling Aperture: 8.05"	IC Airtight Chicago Plenum
	12" APERTURE	Triac, ELV, 0-10V, Lutron, Dali, eldoLED	N/A	N/A	Flanged / Flangeless	Trim Aperture: 10.55" Ceiling Aperture: 12.55"	IC Airtight Chicago Plenum

Visit ELEMENT-lighting.com for specific warranty limitations and details. See ELEMENT-lighting.com for dimmer compatibility. All values measured at 3000K / 80 CRI, unless specified.

LED OFFERING

TO DELIVER PERFORMANCE & CHOICE

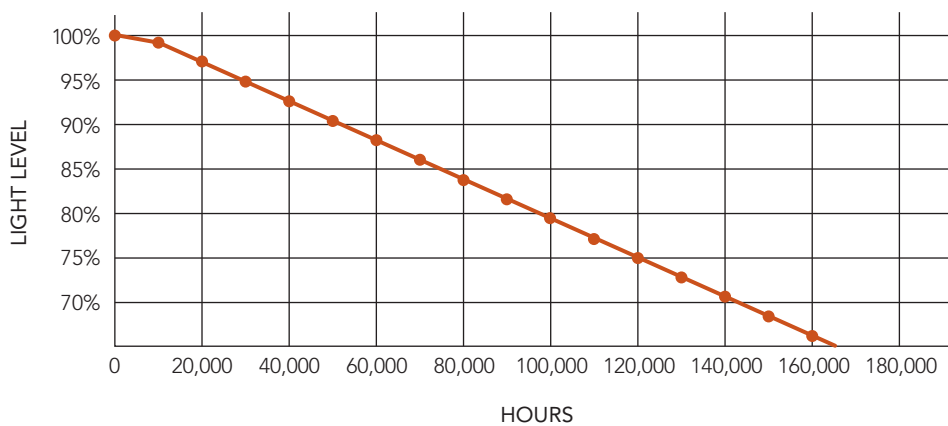
ELEMENT engineers are constantly working with the latest technologies to deliver LED illumination with minimal color shift or degradation, longer life, less energy consumption and greater light output for general use. As LED technology advances and lighting designers become more discerning and demanding, ELEMENT fixtures are continually updated with cutting edge options and quality.

- Choice of lumen output to create ideal lighting designs appropriate to an environment. Max Output: 3283 lumens
- Multiple CCT static white light options, 3 step color binning (or better) to ensure consistency fixture to fixture
- Warm Color Dimming to mimic traditional incandescent dimming while following the black body curve
- CRI options for accurate and consistent color rendering appropriate to an environment
- Multiple Driver options to meet numerous dimming protocols
- Agnostic fixture design accepts a wide variety of LED Module options: Xicato, Xicato Artist Series, Lumenetix Programmable White, Lumenetix Warm Color Dimming, Citizen Static White and Warm Color Dimming
- Long Life LEDs: exceeding industry standards. L70 - 50,000 Hours as our minimum

EXCEEDING INDUSTRY STANDARDS

With ELEMENT, designers can be confident the LED performance will maintain initial output and color for years of continuous use. All ELEMENT LED modules are engineered and tested to exceed the highest industry standards.

ELEMENT 3" CITIZEN LED LIFE SPAN





COLOR CONSISTENCY

ELEMENT fixtures offer a range of static white corrected color temperatures, as well as warm color dimming and programmable white options, all with 3 step color binning (or better) to maintain consistency fixture to fixture.

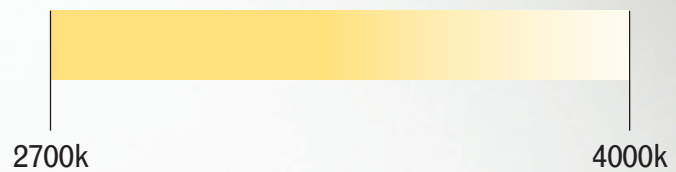
80 to 98+ CRI options deliver accurate and consistent color rendering to meet all needs.



ACCURATE COLORS FOR
GENERAL LIGHTING



CLOSER TO NATURAL LIGHT
FOR MORE DEMANDING
APPLICATIONS



LED LAMPING OFFERING

TO MEET EXACTING PERFORMANCE CRITERIA

ELEMENT downlight platforms were specifically designed to offer specifiers a variety of alternative LED options. The ELEMENT innovative design allows our downlight series to maintain an LED agnostic platform which easily adapts to today's most relevant LED offerings as well as new LED technologies as they are developed in the future. This flexibility empowers the design community to select an LED solution that best fits the design criteria and performance preferences for a given project, while maintaining the specifier's confidence in ELEMENT's thoughtful engineering and aesthetic appeal. Today ELEMENT offers a choice of LED modules, each with a distinct set of features and benefits.

SET THE MOOD

Citizen Warm Color Dimming / E2, E3, E4

- Best in Class Output and Efficacy
- Dimmable with a variety of different dimming protocols, including Triac/ELV
- Reminiscent of the warm dim glow of a traditional incandescent source

Lumenetix Programmable White / E3, E4

- Customizable illumination profile: Tunable White, Controlled Saturation and Hue, Dynamic dimming
- Controllable via 2 sets 0-10v, IOS app, Light Commissioning Tool or DMX

Lumenetix Warm Color Dimming / E3, E4

- Mimics traditional incandescent source reducing color temperature as dimmed down to 1800K warm glow while staying on the black body curve
- 0-10V dimming only, on the black body curve

STATIC WHITE

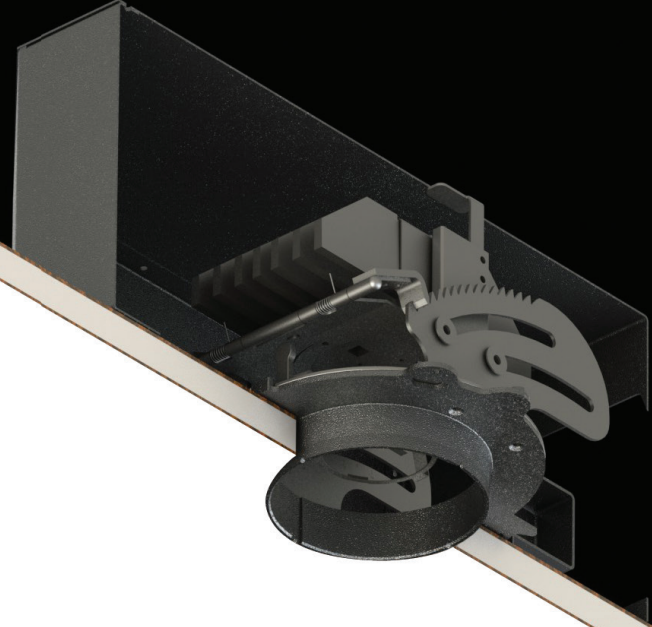
High performance Citizen LED / E2, E3, E4, Multiples & BYOM

- Life with excellent color of angle control
- Optimized lumens/watt efficacy
- Precise TIR optical control for affective beam control

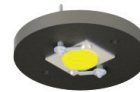
Xicato featuring cold phosphor / E3, E4

- Controlled color over angle and quality of light over time
- Artist Series with 95+ CRI when color matters most

* Lens only available for Citizen Module



LED
(2700K, 3000K, 3500K)



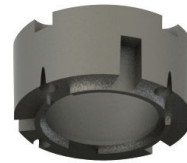
OPTIC CAGE



OPTIC
(10°, 15°, 25°, 40°, 60°)
INTERCHANGEABLE



OPTIC BEZEL



LENS*



LENS HOLDER*
(CAN ACCEPT TWO LENSES)



FLANGED DIE CAST
ALUMINUM TRIM



3" CITIZEN
LED MODULE

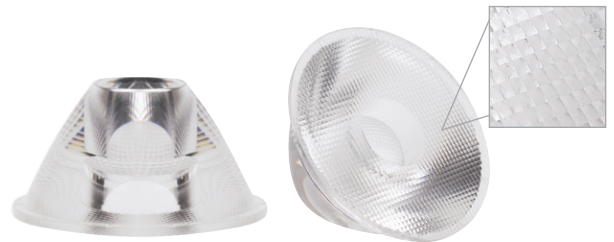
DIMMING OPTIONS

Controls are becoming an increasingly integral part of design. With an increased focus on quality of light and energy consumption, ELEMENT offers a variety of solutions for even the most discerning dimming needs. The list below is the full range of dimming protocols offered throughout the ELEMENT line of recessed products. Consult product specification sheets for dimming compatibility with the wide variety of housing configurations for applicable protocols.

- Triac
- ELV
- 0-10v standard 5%
- eldoLED 0-10V 1%
- eldoLED 0-10V 0.1%
- DMX
- eldoLED Dali 0.1%
- Lutron Eco-System
Fade to black
- Lutron 2 Wire
- Bluetooth

TIR OPTICAL CONTROL

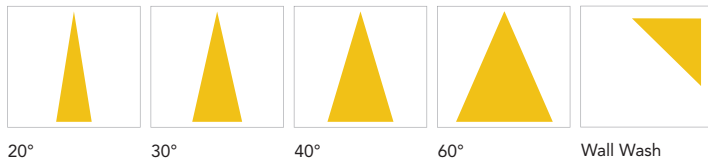
ELEMENT typically utilizes precision TIR optics which capitalize on characteristics unique to LEDs. Custom designed precision TIR optics were developed to optimize light performance and beam control by directing light from the Light Emitting Surface (LES) to the TIR's internal reflector design which creates a tightly controlled beam. Micro optic "pillows," unique to ELEMENT, are utilized to ensure the beam is clean, smooth, defined and the white color is well-mixed. ELEMENT TIR optical controls allow optimized efficacy, beam shape and lux-on-target to deliver a superior experience.



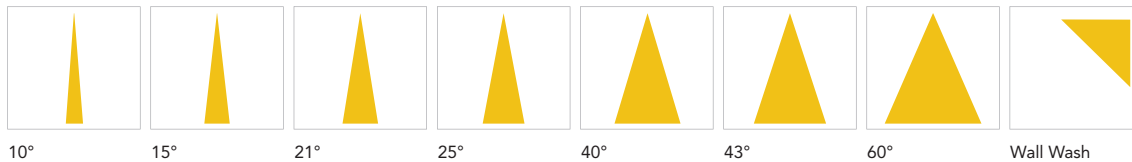
Custom designed ELEMENT TIR optics create exceptionally well-defined precision beams of light using micro optic "pillows" unique to ELEMENT.

OPTICS

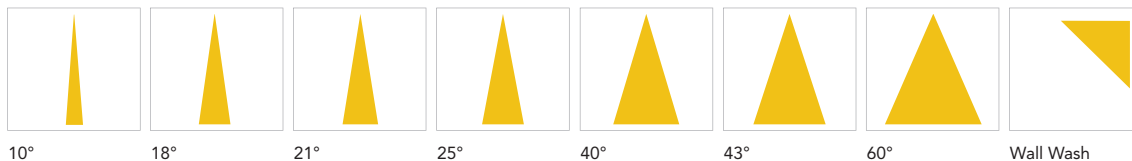
2" DOWNLIGHTS



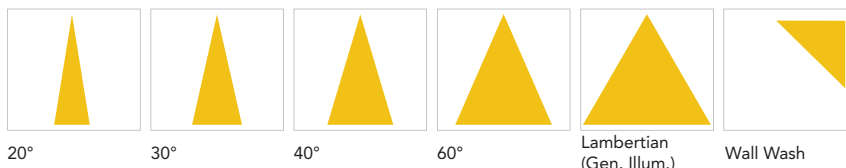
3" DOWNLIGHTS



4" DOWNLIGHTS



BYOM / MULTIPLES



TOOL-FREE AIMING & LAMP POSITIONING

FOR EASY ADJUSTMENT IN CRITICAL SITUATIONS

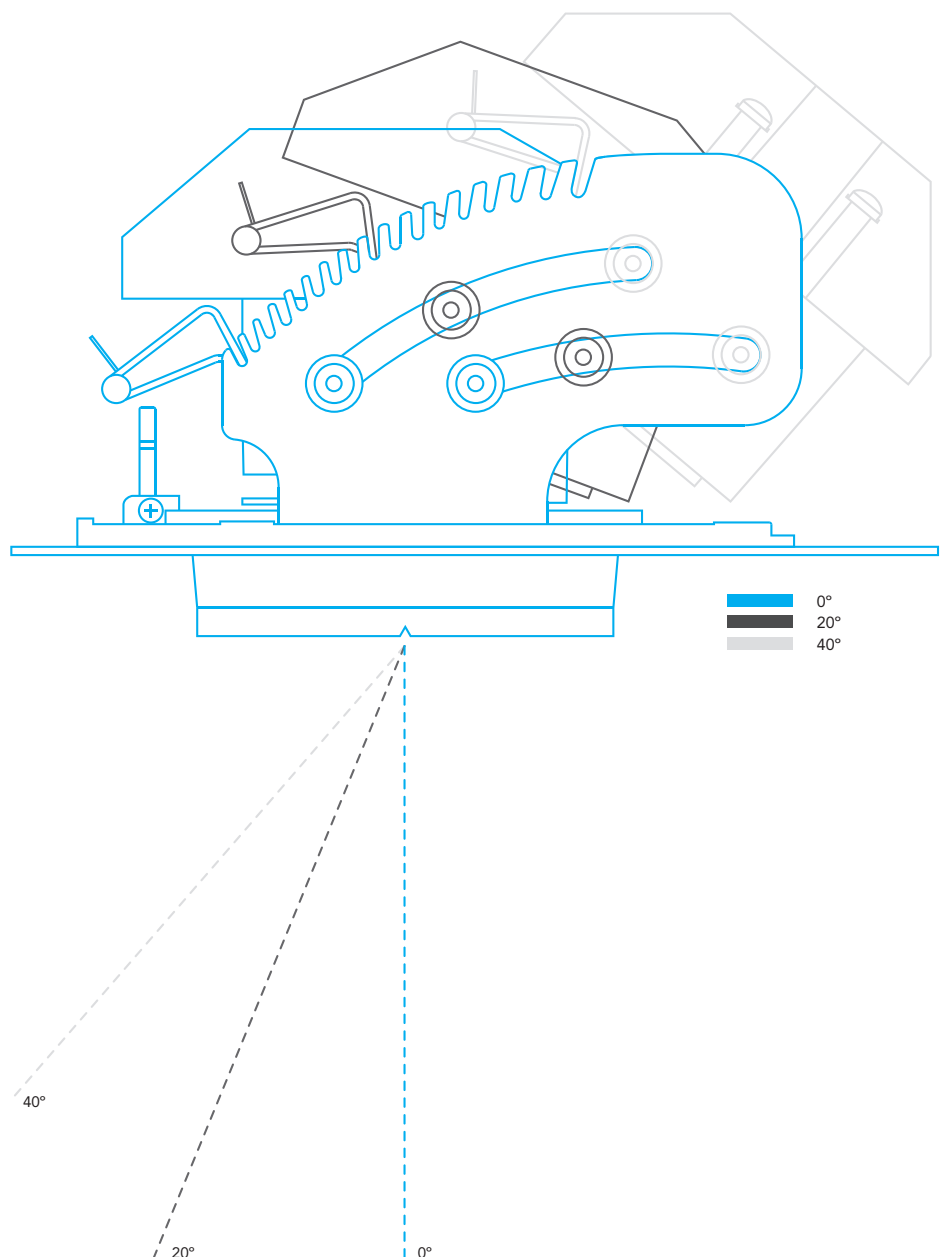
With a keen understanding of the challenges that face lighting designers whether it be in commercial spaces where light levels and aiming are critical, or in residential settings where comfort and ambiance are the measure of a lighting design's success, ELEMENT engineers have set new standards for downlight aiming and ease of scene-setting.

HOT AIMING

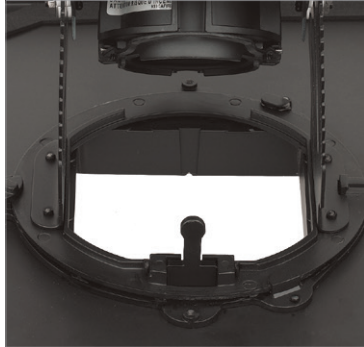
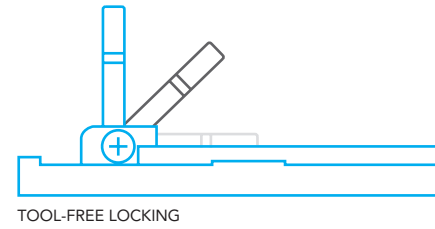
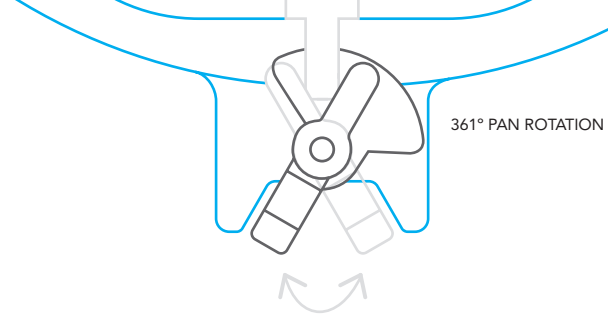


- Center beam maintained through hot aiming: 3" and 4" Series, 0°- 40°; 2" Series, 0°- 45°
- Self-locking tilt maintains aim during re-lamping; Low-Profile Housing and Halogen (2" Series utilizes set-screw locking)
- Maintains maximum light output through aperture

3" LED Adjustable Housing images shown



TOOL-FREE LOCKING & 361° PAN ROTATION

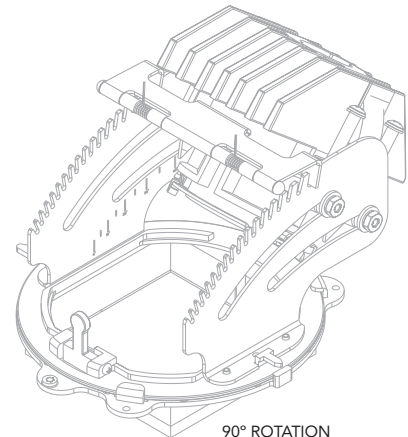
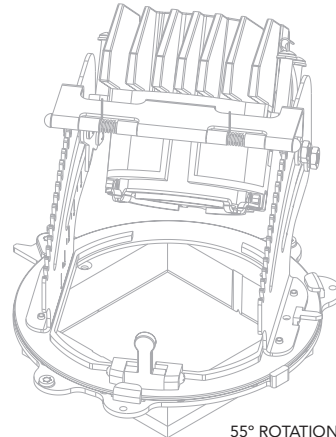
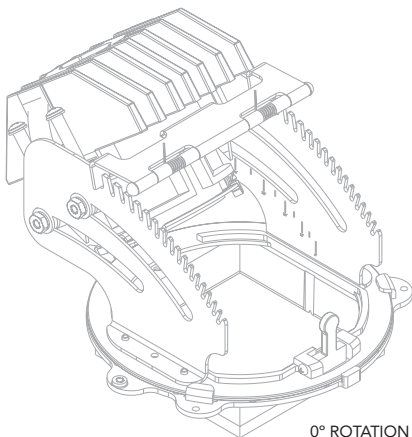


TOOL-FREE LOCKING

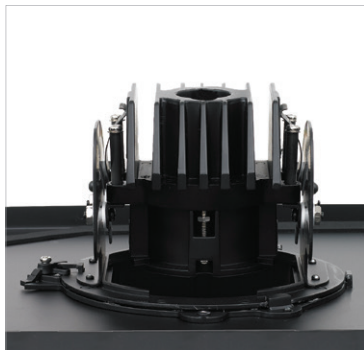


361° PAN ROTATION

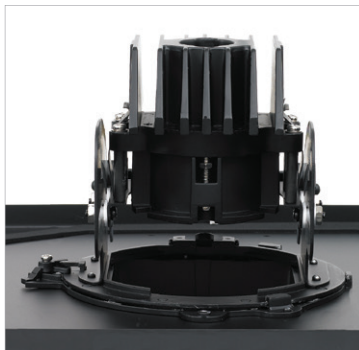
- Easy to use cam lever for rotation lock (2" Series utilizes set-screw locking)
- Moving rotation stop allows for up to 361° rotation without dead spots



PATENTED UNIQUE HIGH-LOW LAMP POSITIONS



LOW-POSITION



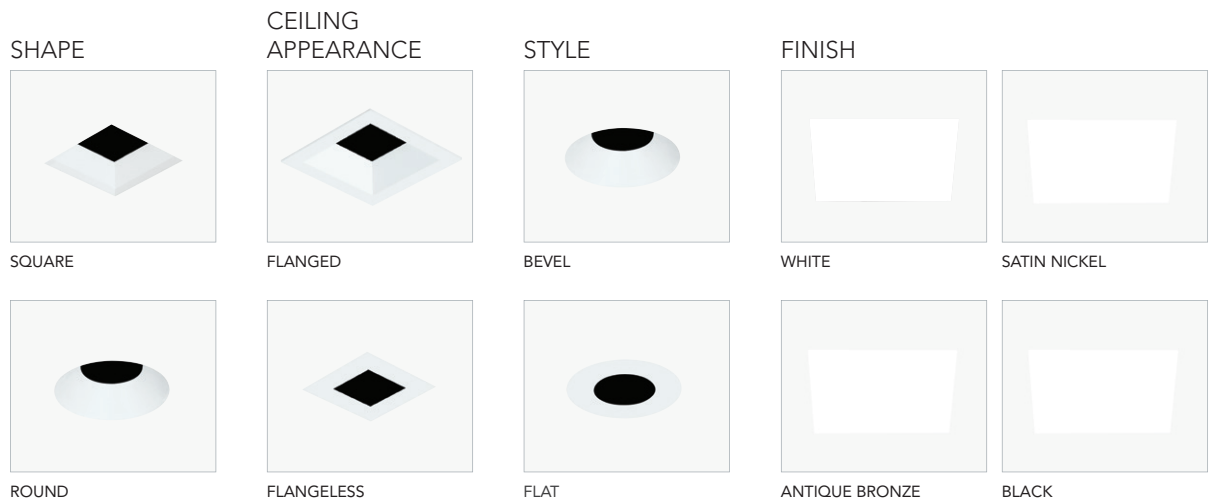
HIGH-POSITION

- Innovative high-low functionality allows designers the choice of lamp placement in low position for maximum light output or high position to reduce glare and flash on the trim (E2, E3 and E4)
- Helps reduce cut-off at severe angles

TRIMS

TO ENSURE EVERY DETAIL IS PERFECTLY EXECUTED

Though a trim or mud plate may be considered the simplest aspects of the downlight's engineering, both play a significant role in the "at the ceiling" experience of ELEMENT products. How the ceiling is finished at the downlight and how the light moves through the aperture are critically affected by trim design. No seams. No warping. No sagging.



3" Series images shown

MUD PLATES

- Tight and precise mounting ties mud plate directly to the housing and drywall to minimize flexing and plaster cracks
- Durable die-cast design eliminates warping for a smooth, seamless appearance
- Counter-sunk drywall screw holes simplify mudding and sanding
- Cardboard inserts protect housing from dust and plaster
- Integrated gunsights ensure optimal trim alignment
- Optional thinner, meshed mud plates available for minimized plaster feathering to meet installer preference



3" SQUARE MUD PLATE (ACTUAL SIZE)

FLAT OR BEVEL
designs to meet the
desired aesthetic

**DELIBERATE
EDGE DESIGN**
to eliminate light leak



2" SQUARE / FLANGELESS / FLAT / WHITE (ACTUAL SIZE)

**FLANGED OR
FLANGELESS**
to meet any requirements.
Flangeless installation
includes mud plate for
smooth seamless ceiling
to aperture transitions.



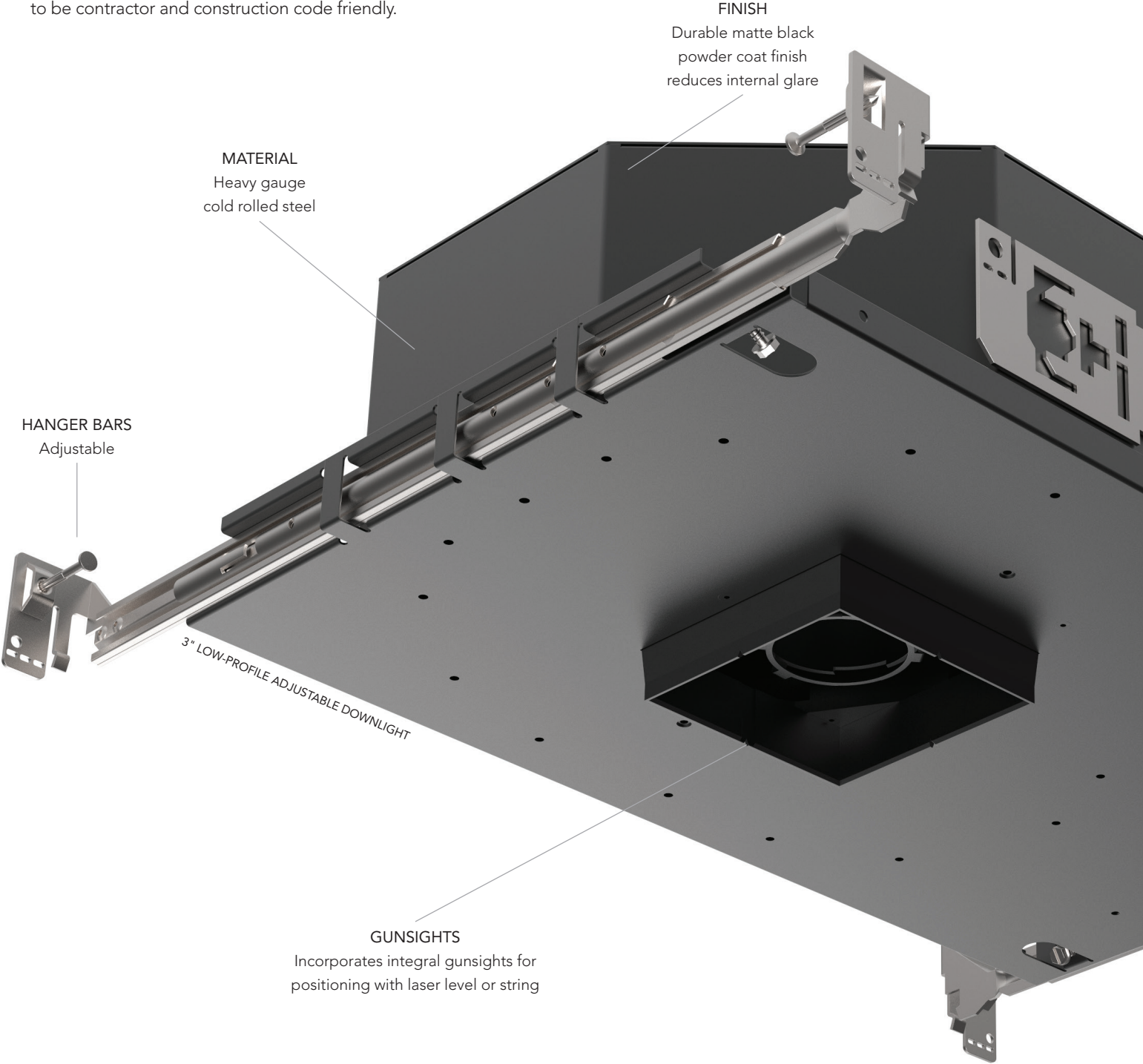
FLANGELESS WOOD CEILING OPTION

Wood ceiling housings ship with an adjustable trim adapter that inserts into the aperture and allows standard ELEMENT 3" flangeless trims to achieve a truly flangeless, flush ceiling appearance in special applications such as wood or stone installation. For use in new construction.

HOUSINGS

TO MEET EVERY CODE AND ENVIRONMENT

Built to stand the test of time, as well as to withstand the rigors of busy construction sites, ELEMENT housings are designed to be contractor and construction code friendly.



FINISH

Durable matte black powder coat finish reduces internal glare

MATERIAL
Heavy gauge cold rolled steel

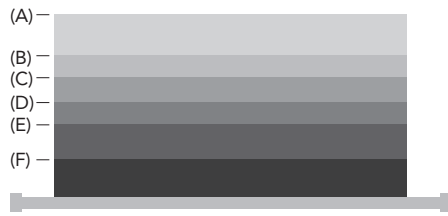
HANGER BARS
Adjustable

3" LOW-PROFILE ADJUSTABLE DOWNLIGHT

GUNSIGHTS
Incorporates integral gunsights for positioning with laser level or string

HOUSING HEIGHTS

(A) 3" Halogen Adjustable IC	9"
(B) 4" LED Adjustable IC	7"
(C) 3" LED Adjustable IC	6"
(D) 2" LED Adjustable IC	5.25"
(E) 3" LED Low Profile Adjustable IC	4"
(F) 3" LED Ultra-Shallow Fixed IC	2"



4" TWIST & LOCK 45° COLLAR ROTATION

- 45° collar rotation after install to ensure square trims are perfectly aligned
- Easily insert / remove LED module
- Driver removed separately



4" ADJUSTABLE DOWNLIGHT

BUTTERFLY BRACKETS

Attach to the side of the housing and are vertically adjustable with a wing nut

JUNCTION BOX

Includes integral junction box approved for branch circuit through wiring



THUMB SCREWS

on internal driver compartment panel facilitate ease of servicing after installation (3" & 4" housings)

HOUSING OPTIONS

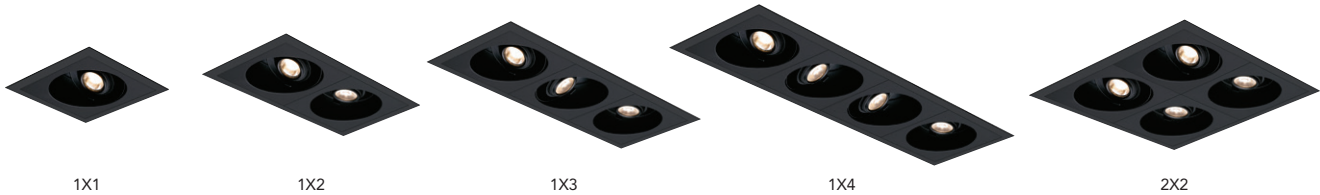
IC Airtight / Non-IC / Chicago Plenum
 IC suitable for insulation rating up to R60
 Emergency Housing with integrated emergency battery back-up available in some configurations (Non-IC Airtight only)

MULTIPLES

FOR CREATIVE SOLUTIONS TO AESTHETIC CHALLENGES



ELEMENT LED Multiples are simultaneously redefining and elevating the recessed multiples category with meticulous design and engineering. While other multiples can be bulky with visible hardware and electrical components, ELEMENT LED Multiples light modules present an incredibly beautiful and uncommonly smooth appearance. Smart design yields a surface completely free of fasteners for a sleek look, even without trims.



TRIMMED



OPEN

Innovative adjustable mechanism allows full 35° tilt and 360° rotation at an infinite number of intervals in-between. Center beam candle power is maintained through the full 35° tilt range to maximize output.



EASY ADJUST



LOCK TAB

Patented, easy to use, tool-free adjustment mechanism requires only your hand to release, aim and lock in place.

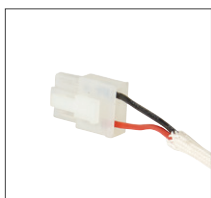


MOUNTING TAB TRIMMED



MOUNTING TAB OPEN

Mounting tabs for secure, tight installation.



QUICK CONNECTOR



THUMB SCREWS

Quick connectors and thumb screws provide ease of servicing after installation.



Light modules are installed individually into the multiples housing

1x3 Open / Wall Wash & General Illumination model shown

REDEFINING MULTIPLES

OPEN FLANGELESS

Open spot design where individual module seams are visible with a sleek flangeless (mud-in) appearance that is flush with the ceiling.

Multiples Open Flangeless design offers three interchangeable LED light module options: general illumination, wall wash and adjustable spot module. Light modules are sold separately and can be mixed and matched to allow the ultimate in flexibility and customization options.

Available in black and white.



OPEN FLANGED

Open spot design where individual module seams are visible with a finished, flanged appearance that overlaps ceiling cut-out.

Light module options include: adjustable spot, general illumination and wall wash.

Available in black and white.



TRIMMED FLANGELESS

A handsome one-piece metal trim covers all spot module seams with a flangeless (mud-in) appearance that is flush with the ceiling. Trimmed apertures are 30% smaller than Open apertures and offer round or square opening options.

Trims available in black, satin nickel and white.



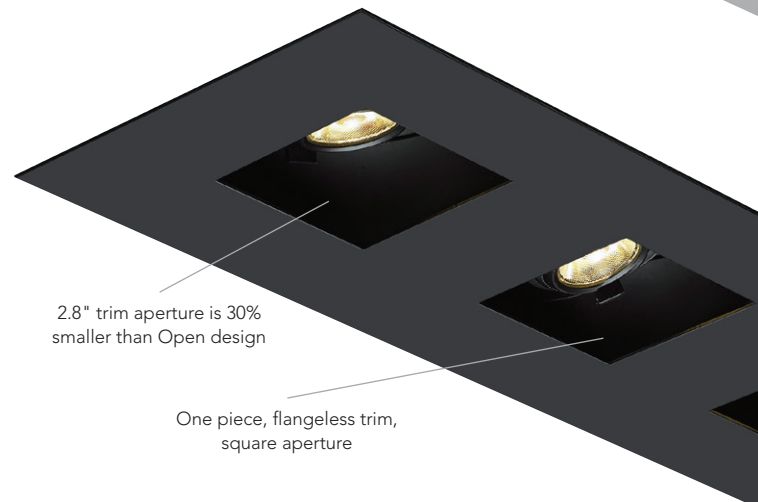
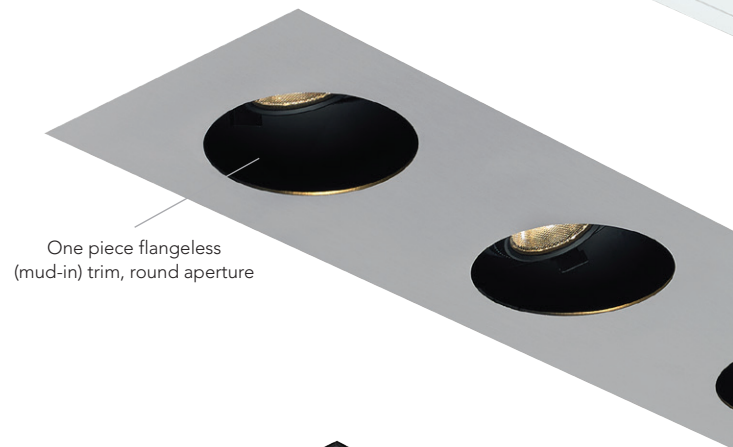
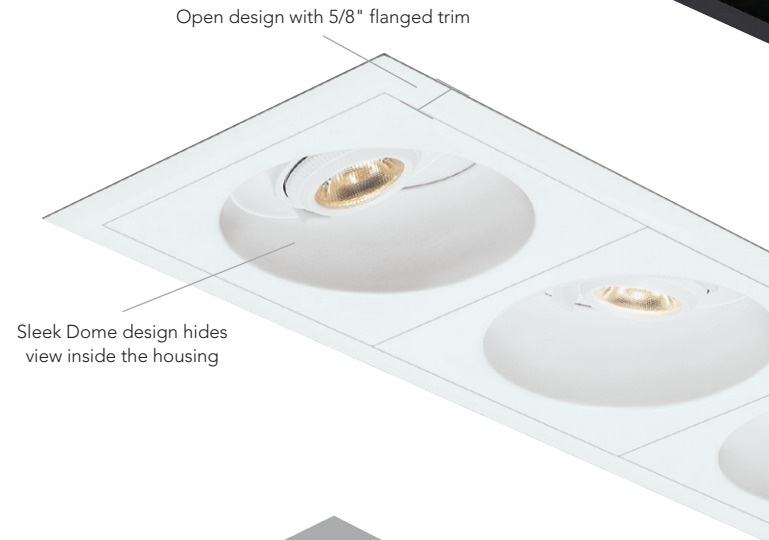
TRIMMED FLANGED

A handsome one-piece metal trim covers all spot module seams with a finished, flanged appearance that overlaps ceiling cut-out. Trimmed apertures are 30% smaller than Open apertures and offer round or square opening options.

Trims available in black, satin nickel and white.



Open design allows a choice of light modules: adjustable spot, wall wash, or general illumination



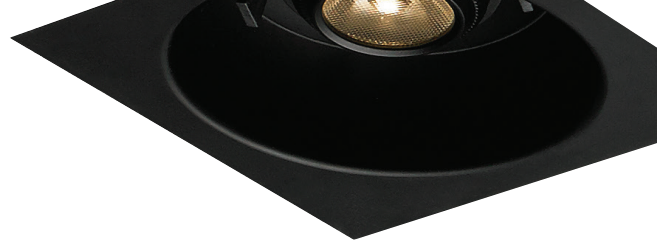
BYOM

BUILD-YOUR-OWN MULTIPLES

FOR UNLIMITED DESIGN OPTIONS

Built on the foundation of an easily configurable modular grid frame system, Build-Your-Own Multiples (BYOM) allow the creation of totally unique, never-before-achievable LED lighting arrays to fulfill both challenging space needs and a designer's vision.

Utilizing the same LED light modules as the rest of ELEMENT Multiples, all performance features and options remain consistent, including our patented adjustable spot module, general illumination, and wall wash. Because light modules can be configured in tight patterns, Build-Your-Own Multiples are capable of generating very high levels of illumination for a small, focused area, while also being ideal for tall ceiling installations requiring high light capacity.



MULTIPLES ADJUSTABLE SPOT MODULE



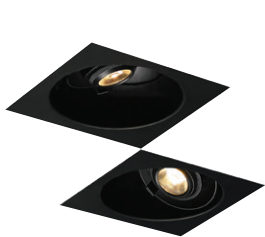
MULTIPLES GENERAL ILLUMINATION MODULE



MULTIPLES WALL WASH MODULE

CONFIGURATIONS

The ELEMENT Build-Your-Own Multiples grid frame system is highly configurable and expandable offering 21 grid frame kits of varying sizes that can be combined to create larger grids. From simple "L" shapes to "steps" or more complicated "X" arrays, BYOM LED light modules are placed into the recessed grid structure to create the desired lighting configuration and effect. To finish the look, metal plaster plates and frame blanks allow the entire system to be mudded in for a completely seamless appearance.



BLACK
2 LIGHT DIAGONAL PATTERN



BLACK
4 LIGHT Z PATTERN



BLACK
5 LIGHT L PATTERN



BLACK
7 LIGHT ZIG-ZAG PATTERN



WHITE
5 LIGHT X PATTERN



WHITE
12 LIGHT BOX PATTERN

REFLECTIONS

FOR A FIRST-OF-ITS-KIND, INNOVATIVE APPROACH TO ARCHITECTURAL DOWNLIGHTS

ELEMENT Reflections redefines recessed lighting at a fundamental level by allowing LED downlights to become an essential architectural component as well as a decorative design element. Ideal for residential, hospitality, retail, or corporate environments, ELEMENT Reflections recessed downlights infuse an interior design with style and taste while delivering pristine LED indirect general illumination.

A choice of five distinctive domes, molded with exquisitely embossed design details, subtly accent architectural themes with beautiful and abundant indirect LED general illumination while creating a soft ceiling glow. Carefully crafted ELEMENT Reflections domes are recessed into the ceiling plane and act as reflectors to a completely hidden ring of upward-firing LEDs that deliver perfectly controlled, reduced-glare illumination.



BLOOM brings the symmetry of the natural world into harmony with traditional, transitional, or contemporary room décor.



DUNE creates concentric rings of reflected light reminiscent of rippling water or waves of sand.



FLEUR reimagines the traditional Fleur de Lis adding distinctive, glowing accents to classic ceiling detail.



SKYE lives simply unadorned, where pure, reduced-glare indirect illumination is the ideal solution.



TORUS transforms beautiful three-dimensional geometry for dramatic visual interest with the subtle play of light and shadow.

FLANGED

FLANGELESS



DOMES

SELECT YOUR DESIGN, SIZE & CEILING APPEARANCE

- Aperture Option: 5", 8", or 12"
- Ceiling Appearance: Flanged or Flangeless (with integral mud plate)
- CCT: 2700K, 3000K, 3500K, or Warm Color Dimming 3000K-2000K
- LEDs are mounted within the Trim / Dome

HOUSINGS

SOLD SEPARATELY FROM THE TRIM / DOME

- Housing (installed in the ceiling plenum) match the Trim / Dome size: 5", 8", or 12" diameter
- Installation type: IC Airtight or Chicago Plenum
- Multiple Dimming Options
- Universal driver: 120-277v





Two sets of custom 2x16 Build-Your-Own Multiples ceiling grids, each populated with 16 open black adjustable spot housings in a zig-zag pattern



Conference: 1x4 Multiples with open flangeless black adjustable spot housing over table; 1x2 Multiples with open flangeless black adjustable spot housing over painting
Hallway: 1x1 Multiples with open flangeless black adjustable spot housing



3" LED Adjustable Downlight (Round / Bevel / Flanged / White)

Photographer: Mark Mahaney

Lighting Designer: Pritchard Peck | Architect: WRNS



3" LED Fixed Downlight (Round / Bevel / Flanged / Satin Nickel)

Photographer: Mark Mahaney

Lighting Designer: Pritchard Peck | Architect: WRNS

TO LEARN MORE, VISIT US AT ELEMENT-LIGHTING.COM

- Specification Details
- Spec Sheets
- IES Files
- Application Images
- Contact Quotes Department
- Find Your Local Element Lighting Sales Representative
at ELEMENT-lighting.com/HowToBuy

ELEMENT
by Tech Lighting

7400 Linder Ave.
Skokie, IL 60077

T 847 410 4400
F 847 410 4500

Contact our Quotes Department 847 410 4602

W ELEMENT-lighting.com

Cover: 3" LED Adjustable Downlight
(Square / Bevel / Flangeless / White)

Meyer Architecture / Interiors