

ELEMENT™ 3" LED

IC REMODEL ADJUSTABLE VS. NON-IC REMODEL ADJUSTABLE COMPARISON

The ELEMENT 3" LED Downlight is now offered in an IC-rated Remodel and New Construction Housing. Please reference the comparison chart below when choosing between an IC vs Non-IC Housing. There are a variety of key features and benefits that were designed and engineered to provide the highest quality and flexibility for each option.



IC REMODEL
SHOWN IN ROUND FLANGELESS



IC REMODEL WITH NEW CONSTRUCTION OPTION
SHOWN IN ROUND FLANGED OR FLANGELESS



NON-IC REMODEL
SHOWN IN ROUND FLANGELESS

SPECIFICATIONS

	ELEMENT 3" IC REMODEL ADJUSTABLE AND NEW CONSTRUCTION MOUNTING	ELEMENT 3" NON-IC REMODEL ADJUSTABLE
DELIVERED LUMENS (AT 3000K, 80 CRI)	Low Output: 1028	High Output: 1800 Low Output: 1319
WATTS	12 watts	17 watts 12 watts
CCT	2700K, 3000K, 3500K, Warm Dim, or Tunable White	2700K, 3000K, 3500K, or Warm Dim
BEAM SPREADS	20°, 30°, 40°, or 60° (same optics as ELEMENT 2" family of products)	10°, 18°, 25°, 40°, or 60°
COLOR CONSISTENCY	2-step	
DIMMING¹	Standard reverse-phase, forward-phase, TRIAC, and 0-10V dimming (down to 1%)	
ADJUSTABILITY	Lockable, hot-aiming, 0-40° tilt, 361° rotation	Tool-free, lockable, hot-aiming, 0-40° tilt, 361° rotation, high/low lamp positioning
CEILING THICKNESS	No ceiling thickness limitations	Flanged Square: Up to 2-1/2" Flanged Round: Up to 1" Flangeless: No ceiling thickness limitations Note: Thicker ceilings impact light cutoff and aiming
TRIMS	Same standard 3" Bevel and Flat trims	Same standard 3" Bevel and Flat trims Also compatible with 3" Wall Wash trims
HOUSING RATING	IC Airtight Suitable up to R60 if spray foam insulation is already installed	Non-IC
KEY BENEFITS	<ul style="list-style-type: none"> • IC Rated & Airtight • New construction mounting option is ideal for constrained plenums or when looking to use combo of this Remodel and New Construction in the same space • Overall footprint doesn't change when tilted making it better for constrained plenums (no risk of bumping up against a joist) • View into the plenum is completely concealed • No ceiling thickness limitations • Tilt is not impacted by thicker ceilings • Accepts one optical control 	<ul style="list-style-type: none"> • Higher output and efficacy • 10° beam spread available • Uses the same ELEMENT 3" LED modules and optics; can be used in conjunction with other ELEMENT 3" fixtures for consistency across a job site • Features high/low lamp positioning • Easy, tool-free aiming (the IC model is more similar to ELEMENT 2" Remodel) • Maintains center-beam through the aperture • Accepts two optical controls
WARRANTY²	5 years	

Ordering grids available on the spec sheets.

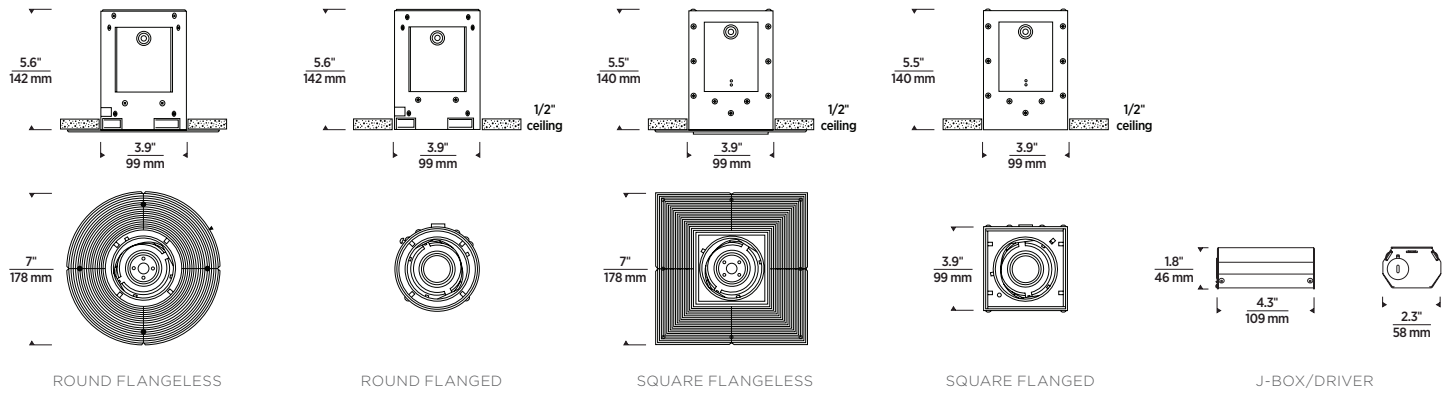
¹See ELEMENT-Lighting.com for dimmer compatibility.

²Visit ELEMENT-Lighting.com for specific warranty limitations and details.

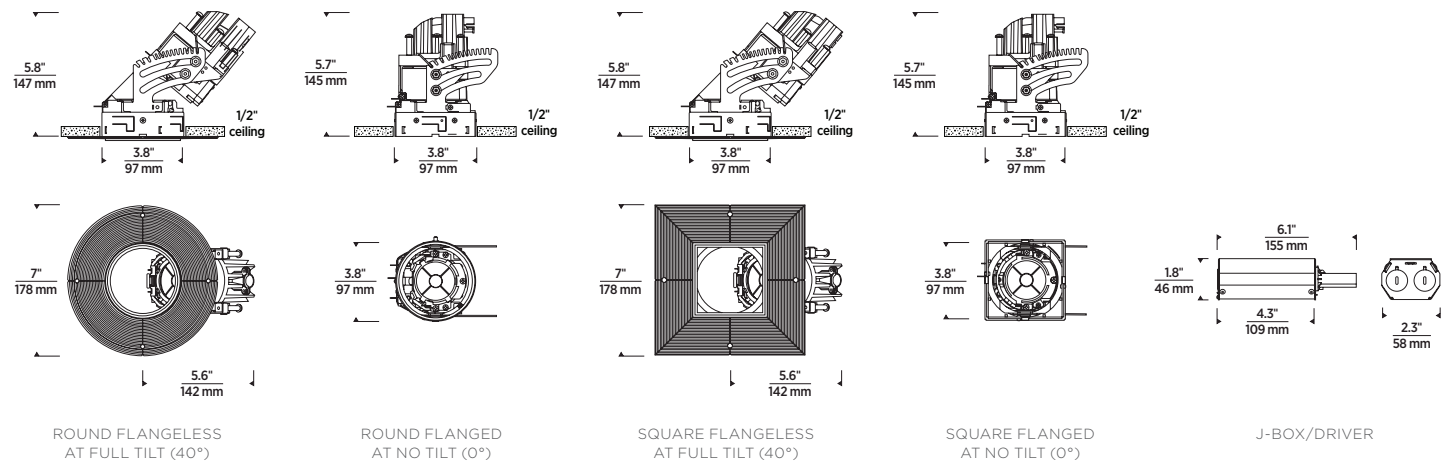
ELEMENT™ 3" LED

IC REMODEL ADJUSTABLE VS. NON-IC REMODEL ADJUSTABLE COMPARISON

IC REMODEL HOUSING



NON-IC REMODEL MECHANISM



IC REMODEL HOUSING WITH NEW CONSTRUCTION OPTION

