

# Round or Square Type IC Down Light Housing with Halogen Lamp

E3\_-HDI\_ 1.1



ELEMENT

## GENERAL PRODUCT INFORMATION:

This product can be dimmed with a low-voltage magnetic dimmer.



For insulation applications above R25, no branch circuits allowed.

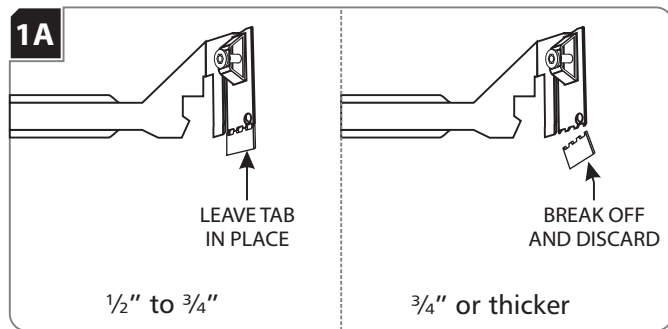
This instruction shows a typical installation.

**SAVE THESE INSTRUCTIONS!**



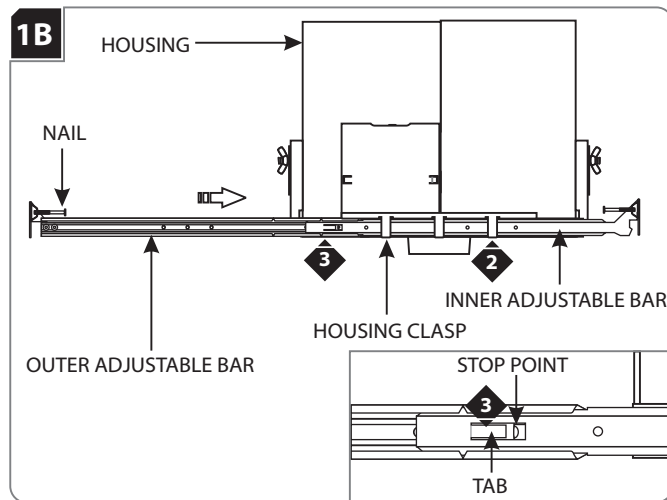
**CAUTION - RISK OF FIRE**  
 This product must be installed in accordance with the applicable installation code by a person familiar with the construction and operation of the product and the hazards involved.  
 Use minimum 90°C supply conductors.

## Install the Housing with Adjustable Bars

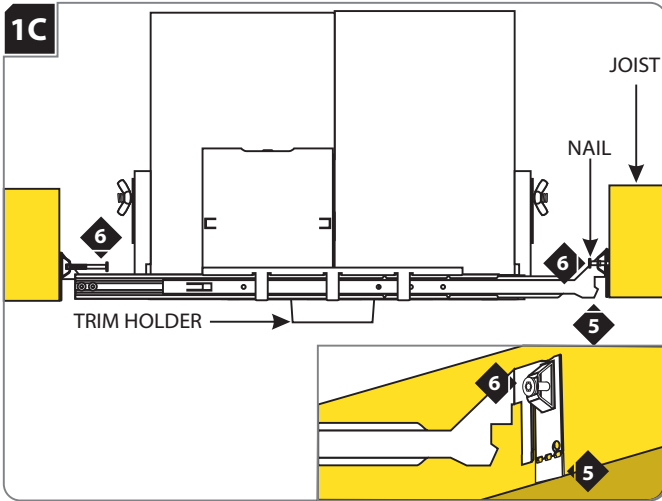


**NOTE:** Skip this section if installing the housing with butterfly brackets.

- 1 **Keep Tab for ceiling 1/2" to 3/4" thick.**  
 When using adjustable hanger bars with 1/2" to 3/4" thick ceilings, leave the tab of the hanger bars in place.  
**Break off Tab for ceiling 3/4" or thicker.**  
 When using adjustable hanger bars with 3/4" or thicker ceilings, remove the tab by bending it at the perforation.

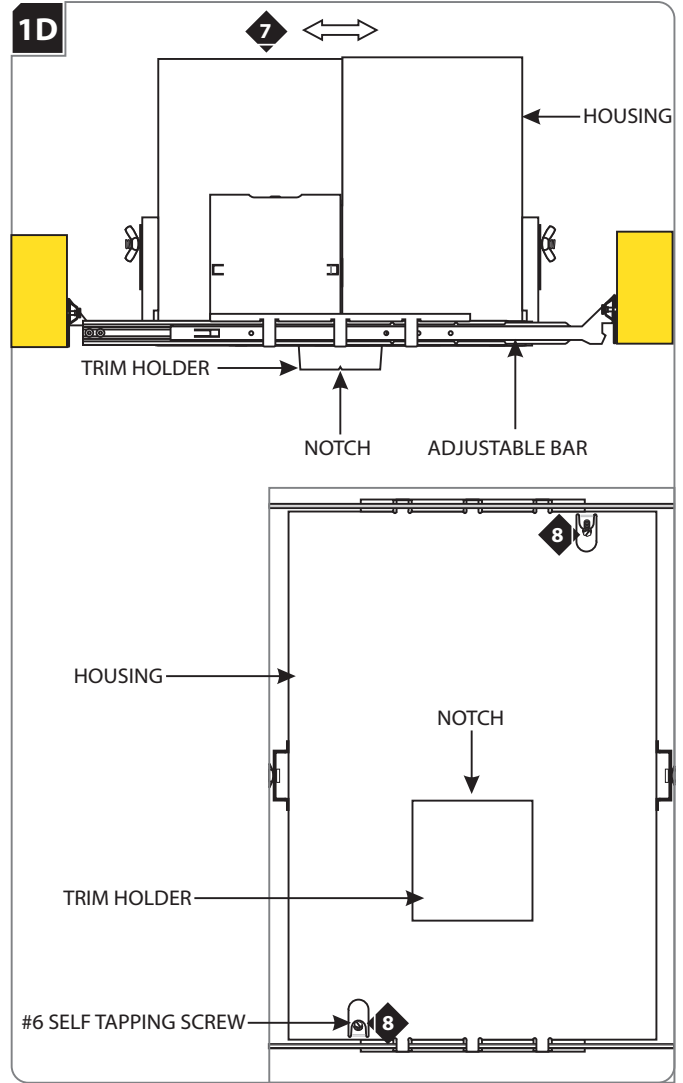


- 2 Slide the inner adjustable bar completely through the three housing clasps. Make sure the nail is on top.
- 3 Slide and push the outer adjustable bar completely onto the inner adjustable bar so that the tab clicks into place behind the stop point. This will prevent the adjustable bars from coming apart.
- 4 Repeat steps 2 & 3 for the other side of the housing.



**NOTE:** The adjustable bars can be mounted to joists that are spaced 16" - 24" apart.

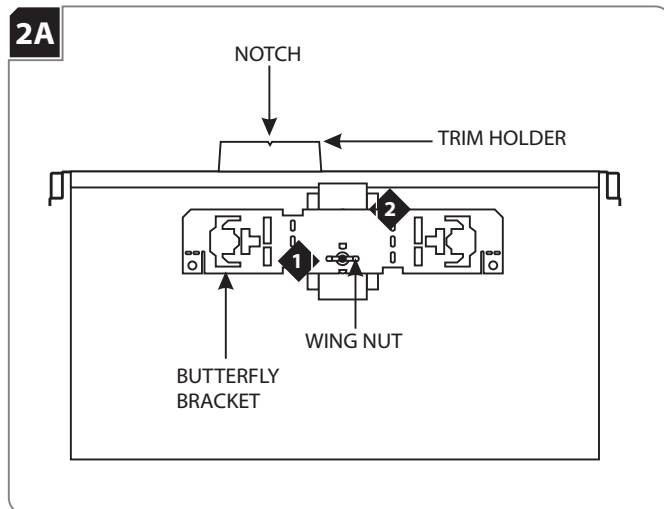
- 5 Align the bottom of the end plates with the bottom of the ceiling joists.
- 6 Level the adjustable bars and, with a hammer, tap the nails completely into the joists to secure the adjustable bars in place.



- 7 Adjust the trim holder position (horizontal position) by sliding the housing on adjustable bars.
- 8 When the desired location is achieved, tighten the two #6 self tapping screws to lock the housing onto the adjustable bars.

**NOTE:** Notches in trim holder can be used to align multiple housings using a laser or string.

## Install the Housing with Butterfly Brackets

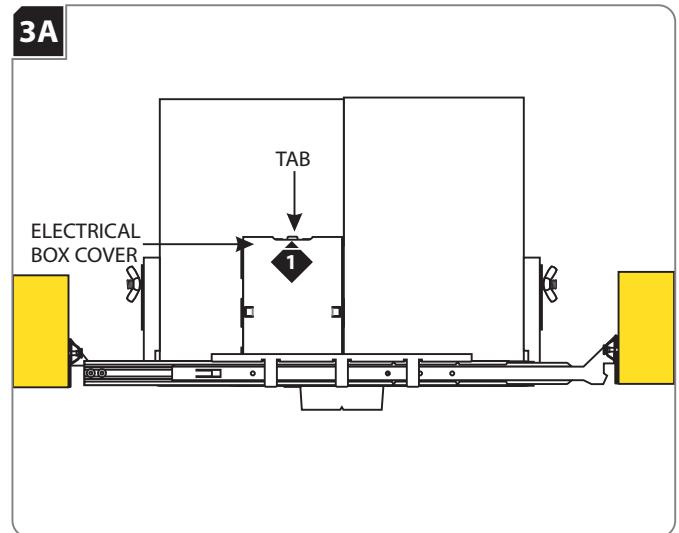


**NOTE:** Skip this section if installing the housing with adjustable bars.

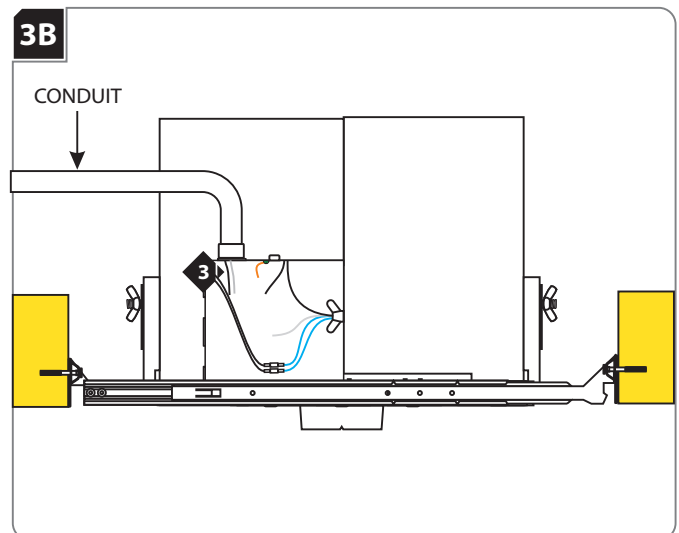
- 1 Slightly loosen the wing nut to slide the butterfly bracket up or down.
- 2 After achieving the proper location, tighten the wing nut to secure the butterfly bracket in place.
- 3 Repeat steps 1 and 2 on for the other butterfly bracket.
- 4 Utilize the butterfly brackets to install the housing in accordance with local electrical codes.

**NOTE:** Notches in trim holder can be used to align multiple housings using a laser or string.

## Connect Power to the Housing



- 1 Push the tab on the housing electrical box up and remove the electrical box cover.

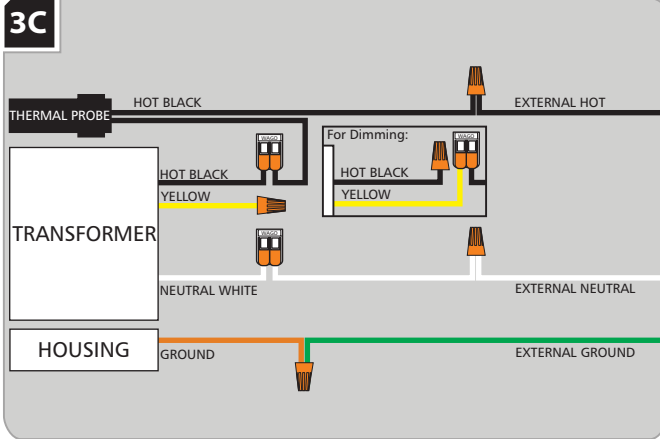


- 2 Install the conduit to the housing electrical box.
- 3 Run the power line wires into the housing electrical box.

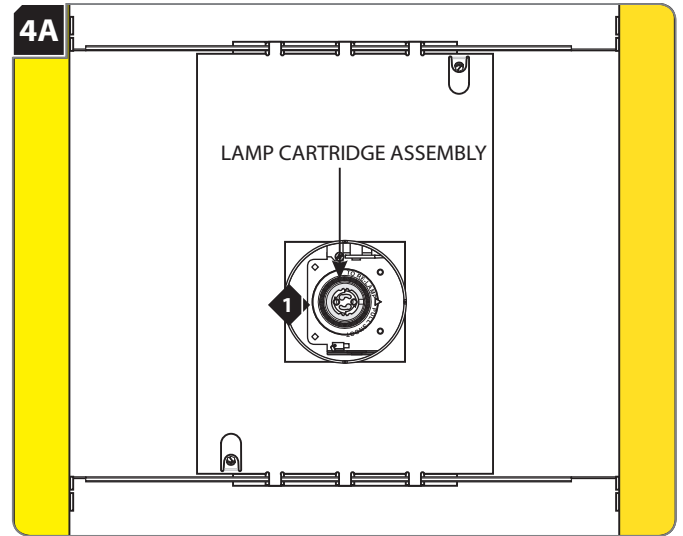
**NOTE:** When a fixture is installed in a location that requires servicing from below the ceiling through the fixture aperture, the branch circuit connections need to be able to be brought out through the aperture. To accomplish this, an NM type cable in conjunction with snap-in/push-in connectors must be used and a 12" service loop must be left available outside of the fixture housing wiring compartment to allow additional branch circuit wiring to be pulled through the snap-in/push-in connector and extended out through the aperture below ceiling level.

**WARNING: RISK OF FIRE:** When using the housing electrical box for power feed through, use **MAX** 4 - #12 AWG, or 6 - #14 AWG branch circuit wires.

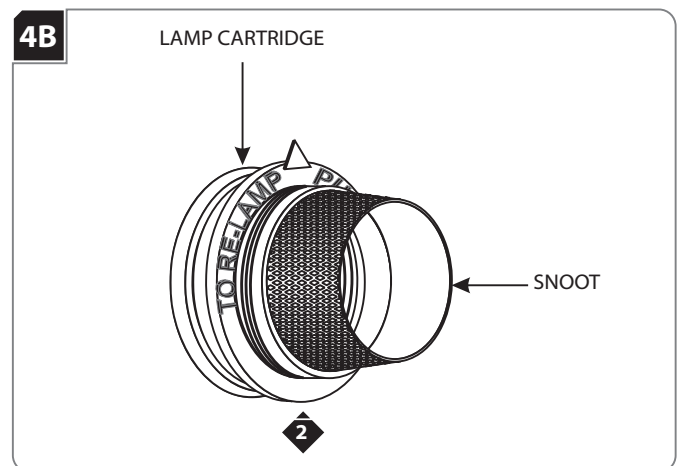
## Install the Lamp & Lens Accessories



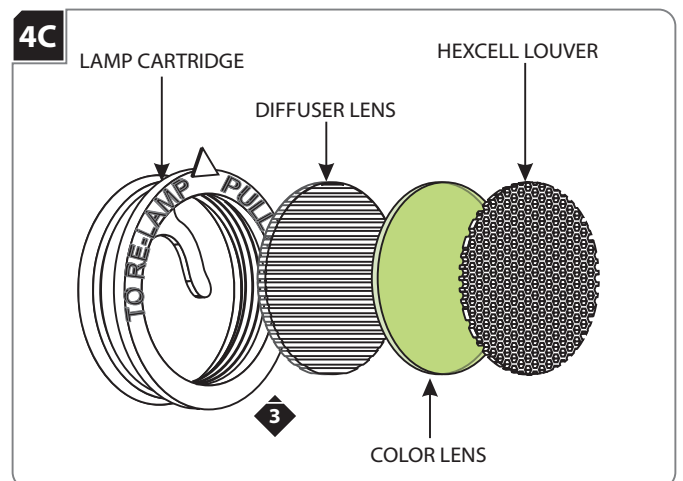
- 4 Connect the external neutral wire to the neutral white transformer wire with a wire nut.
- 5 Connect the hot black thermal probe wire to the hot power line wire with a wire nut.
- 6 Make sure that housing is grounded in accordance with local electrical codes.
- 7 **If using a dimmer:** Disconnect the black transformer wire from the wire connector connected with the black thermal protector wire. Connect the yellow transformer wire to the wire connector connected to the black thermal protector wire. **If necessary, make sure to cap the black transformer wire.**
- 8 Replace the electrical box cover. Make sure that the top edge of the cover snaps under the tabs.



- 1 Pull the snout to remove the lamp cartridge assembly.

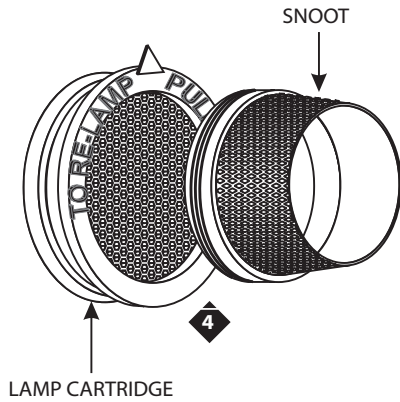


- 2 Unscrew the snout from the lamp cartridge.



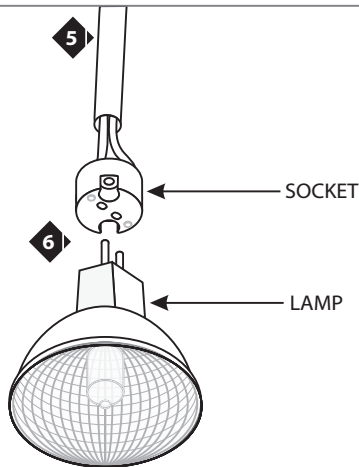
- 3 Place a maximum of three accessories (optional) into the lamp cartridge.

4D



- 4 Replace and tighten the snoot completely to the lamp cartridge.

4E

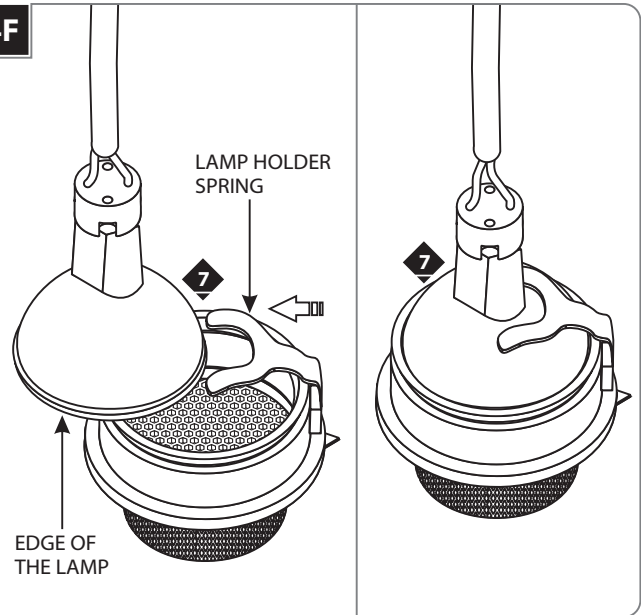


Use **MAX 75** Watt Type MR16 Halogen Lamp.



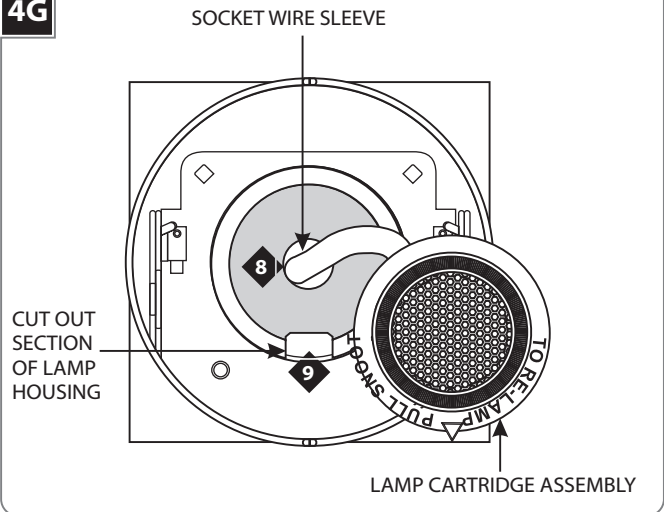
- 5 Pull out the socket from the lamp housing.
- 6 Push the lamp pins completely into the socket holes.

4F



- 7 Slide the lamp holder spring completely onto back of the MR16 lamp so that the edge of the lamp snaps into the lamp cartridge assembly.

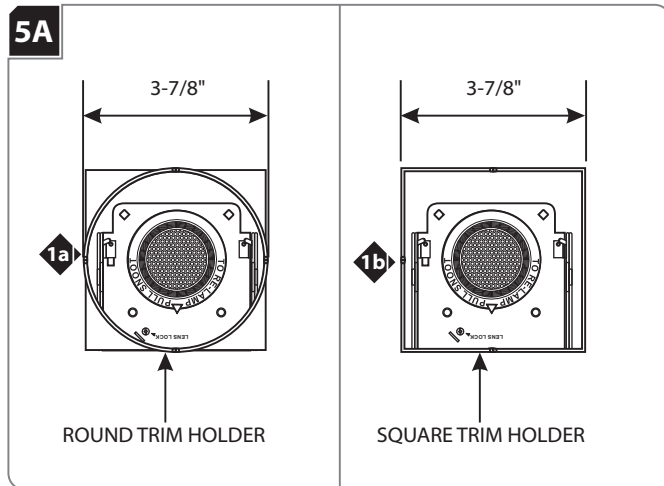
4G



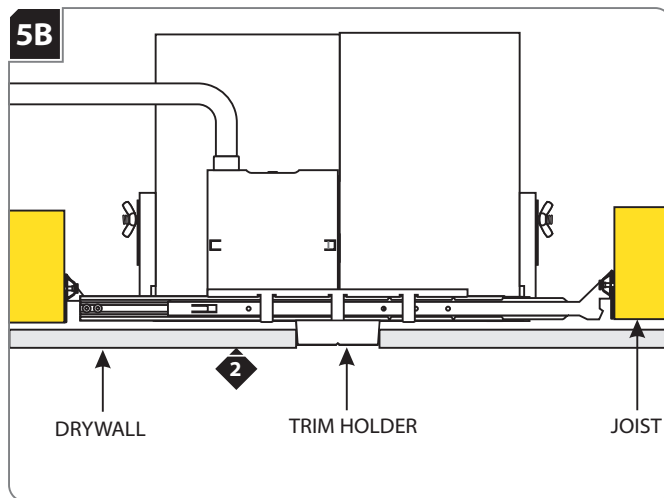
- 8 Feed the socket wire sleeve back into the lamp housing.
- 9 Align the arrow indicator on the lamp cartridge assembly with the cut out section of the lamp housing. Push to snap the lamp cartridge assembly into the lamp housing.

**NOTE:** Before installing drywall, it is recommended to power up and run the Element fixture(s) for 10 minutes to make sure that all electrical connections are tight and secure.

## Install the Drywall

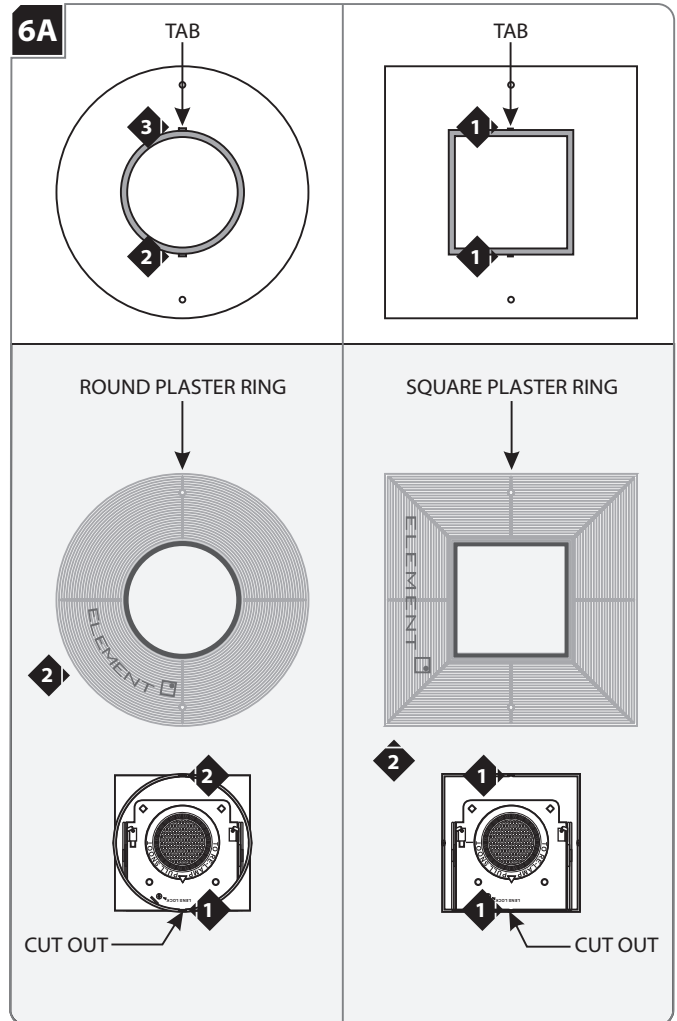


- 1a For housings with round trim holder, mark a 3-7/8" diameter circle on drywall. Cut out the marked section.
- 1b For housings with square trim holder, mark a 3-7/8" square on drywall. Cut out the marked section.

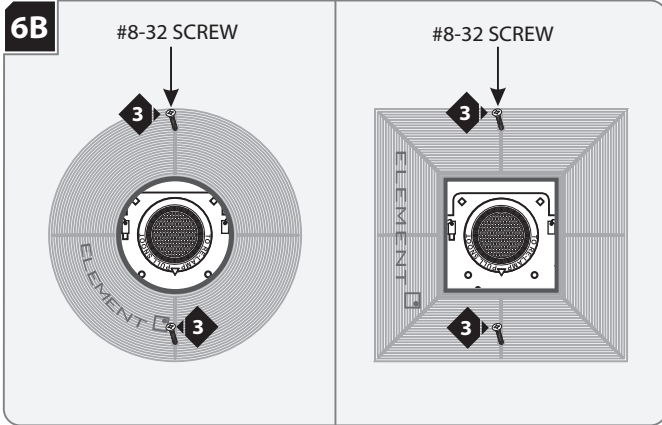


- 2 Align the cut out section of drywall with the trim holder and install the drywall.

## Install the Plaster Ring (for Flangeless Versions)

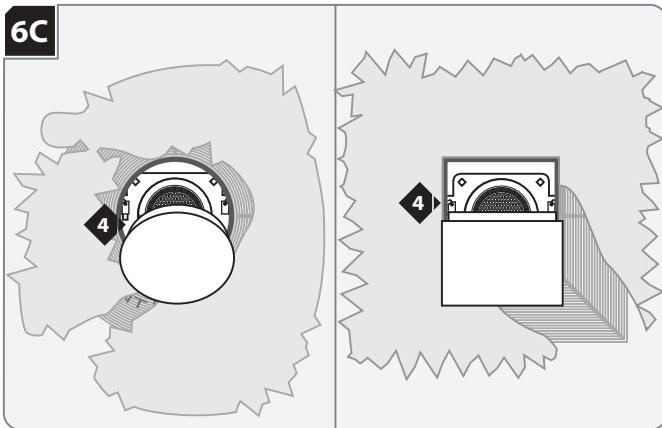


- 1 Line up the two tabs in back of the plaster ring with the two cut out sections of the trim holder inside edge.
- 2 Push the plaster ring tabs into the cut out sections of the trim holder edge.

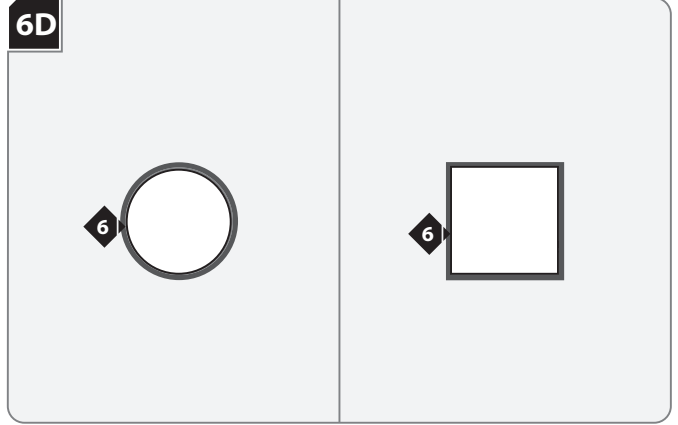


- 3 Secure the plaster ring in place with the two provided flat head #8-32 screws. Make sure that the screws penetrate through the drywall into the housing screw holes.

**NOTE:** Do not overtighten the screws!  
Overtightening may bend the plaster ring, causing the plaster surface to come away from the drywall.



- 4 Plug the trim holder with the provided dust shield.
- 5 Properly plaster onto the plaster ring and drywall.



- 6 Finish around the trim to match drywall.



7400 Linder Ave., Skokie, IL 60077

T 847.410.4400 | F 847.410.4500

[www.techlighting.com](http://www.techlighting.com)