

# Remodel Recessed Adjustable Light Housing for Round or Square Flanged Trims, with Electronic Transformer

E3\_R\_HANE\_

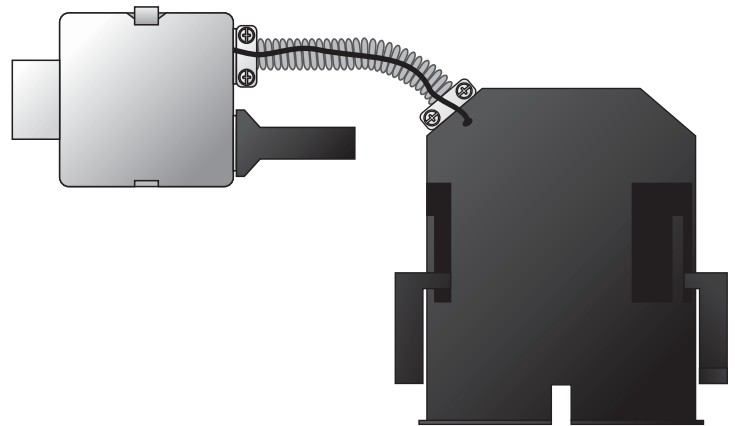
1.1



This product is approved for use at any height above the finished floor.  
**This product must not be installed in insulated ceilings.**

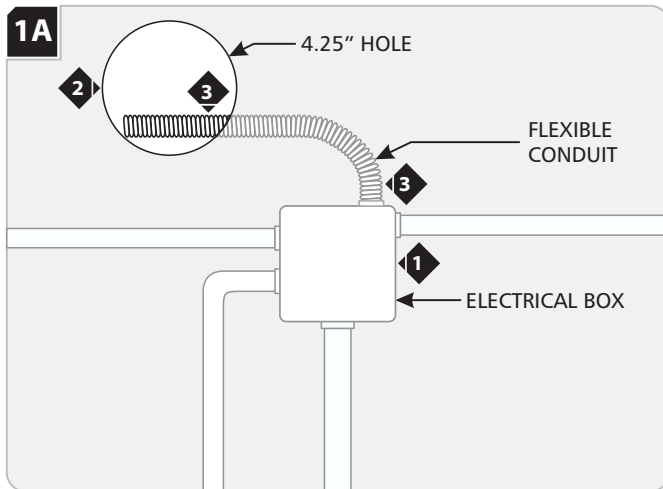
This product can be dimmed with a standard electronic dimmer.

A typical installation is shown. Specific installation must be in accordance with local electrical codes. Read all instructions thoroughly before installing.

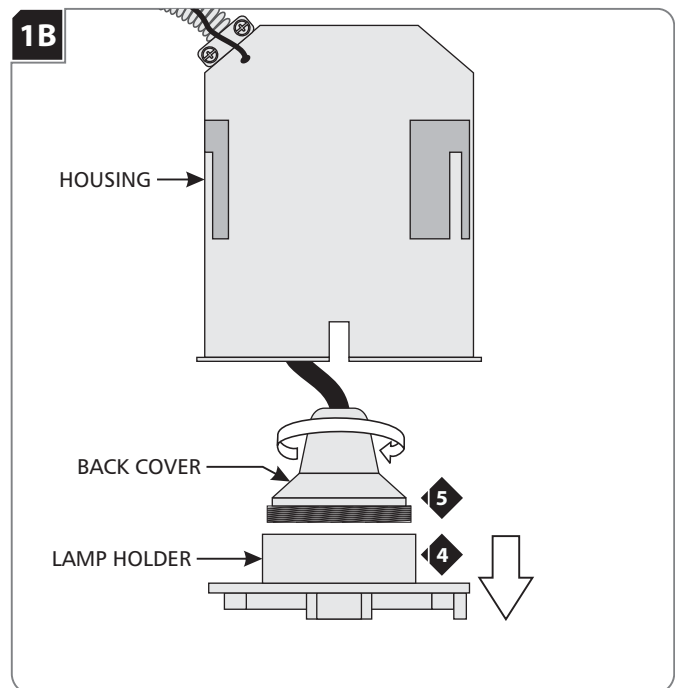


**CAUTION - RISK OF FIRE**  
 This product must be installed in accordance with the applicable installation code by a person familiar with the construction and operation of the product and the hazards involved.  
 Use minimum 90°C supply conductors.

## Prepare for Installation

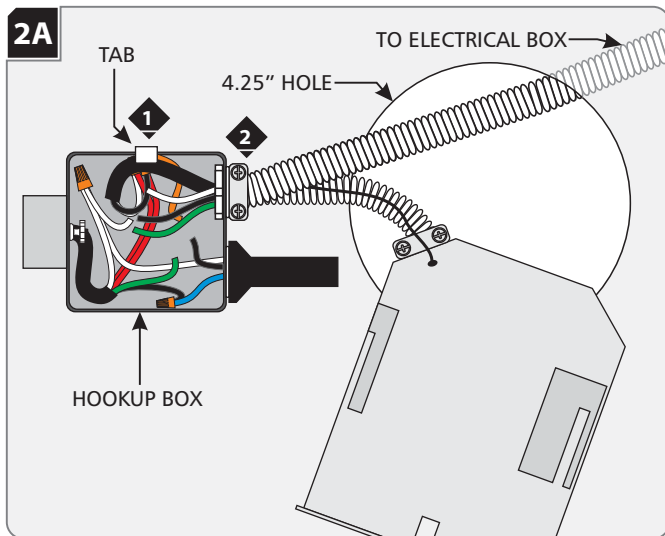


- 1** Locate any electrical boxes and conduit already present in the ceiling.
- 2** Cut a 4.25" diameter hole in the ceiling with a hole saw. **Do not cut a hole larger than 4.25"**. Take care not to damage any existing electrical boxes or conduit.
- 3** Attach flexible conduit (not included) to an electrical box and feed the conduit out of the 4.25" hole.

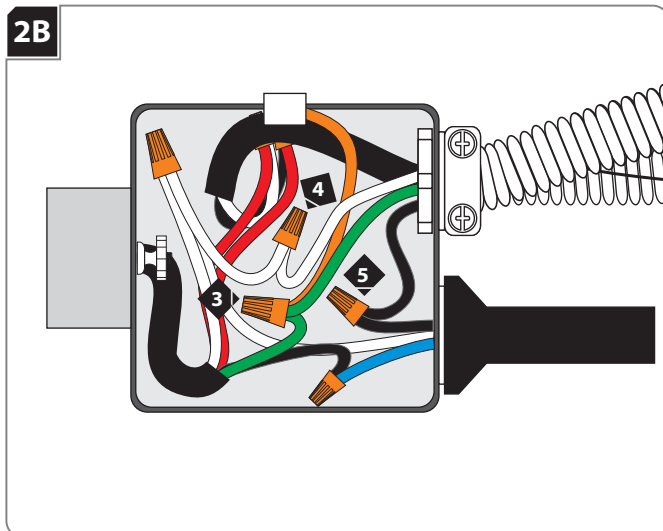


- 4** Pull the lamp holder out of the lamp housing. It is held in with magnets. A gentle tug is enough to release it.
- 5** Unscrew the lamp holder from the back cover and set the lamp holder aside.

## Connect Power to the Fixture

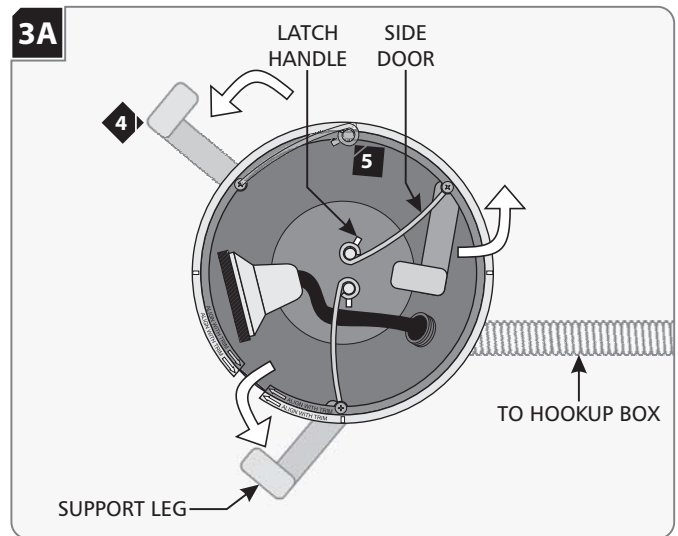


- 1 Lift the spring tab and remove the cover from the hookup box.
- 2 Attach flexible conduit (installed in **section 1A**) to the hookup box.

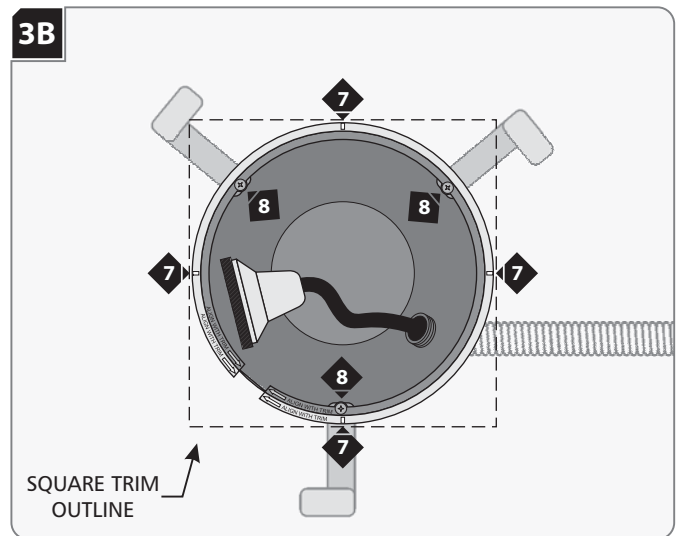


- 3 Connect the green wire and the uninsulated copper wire to a suitable ground in accordance with local electrical codes.
- 4 Connect the loose white wire to the neutral power line wire with a wire nut.
- 5 Connect the loose black wire to the hot power line wire with a wire nut.
- 6 Replace the cover on the hookup box.

## Install the Fixture in the Ceiling

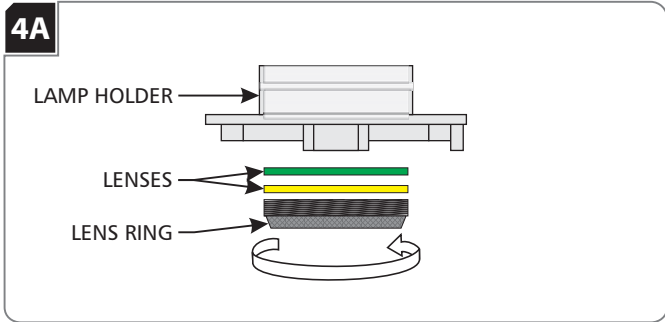


- 1 Place the hookup box into the ceiling.
- 2 Make sure the support legs are inside the housing.
- 3 Slide the housing into the hole in the ceiling.
- 4 Swing one of the support legs out of the housing.
- 5 Close the side door in the housing and pull the white handle down to latch the door shut.
- 6 Repeat steps 4 and 5 for the other two support legs.

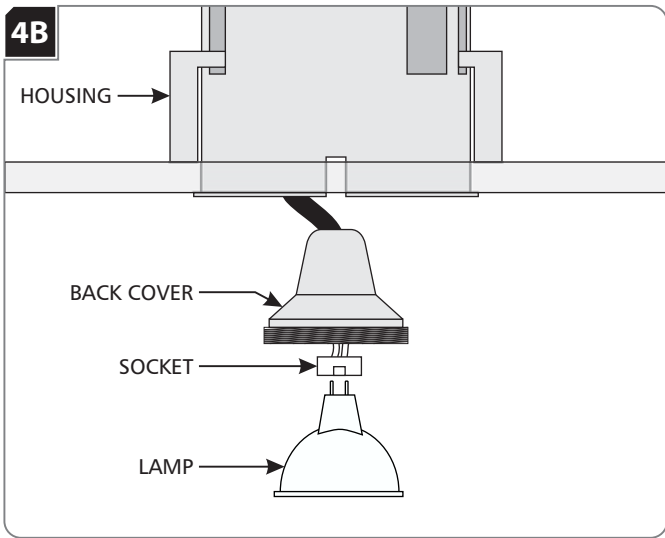


- 7 If installing square trims, use the marks to line up the fixture with the walls or other fixtures. The edges of the square trim will be perpendicular to the alignment marks (see outline).
- 8 Tighten the support leg screws until the legs contact the back of the drywall. **CAUTION: Over-tightening the screws can damage the support legs.**

# Install the Lenses and Lamp



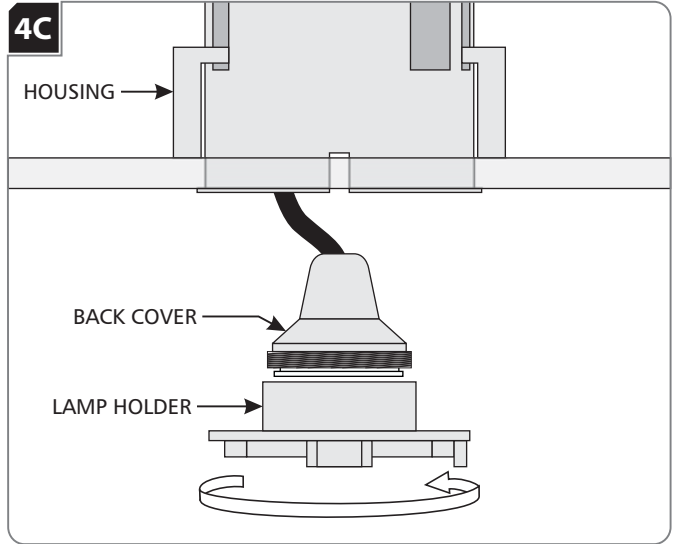
- 1 Unscrew the lens ring from the lamp holder (removed from fixture in **section 1B**).
- 2 Place lenses (max. 2, optional) inside the lamp holder and screw the lens ring back on.



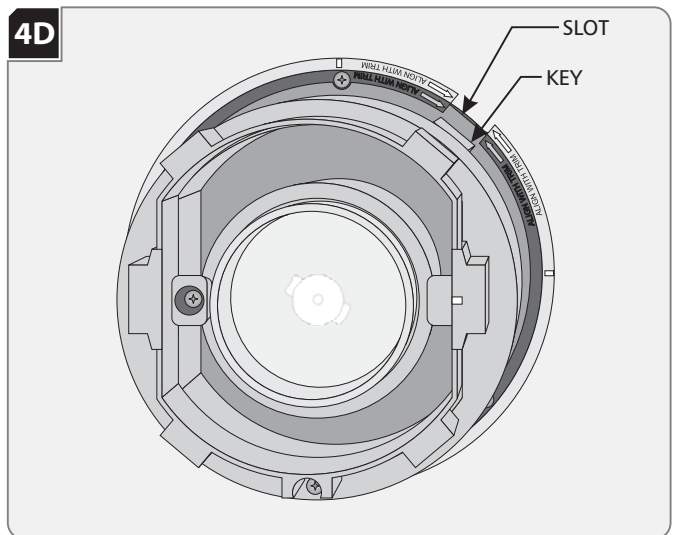
Use **MAX 50 Watt** Type MR16 Halogen Lamp.



- 3 Push the lamp pins into the socket.

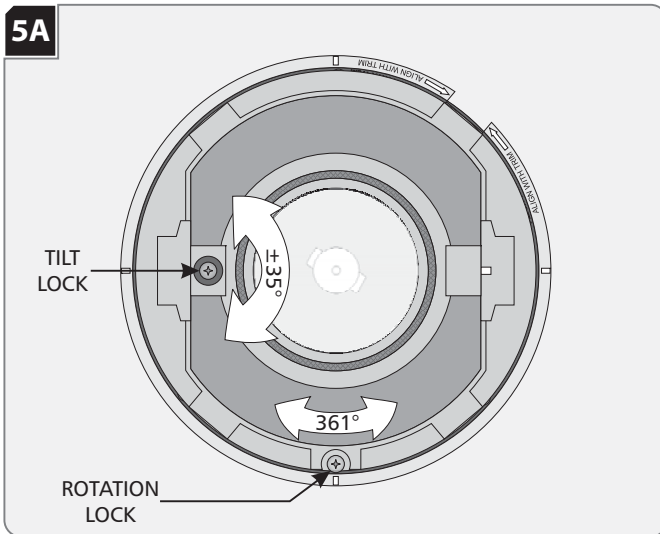


- 4 Screw the lamp holder on to the back cover.



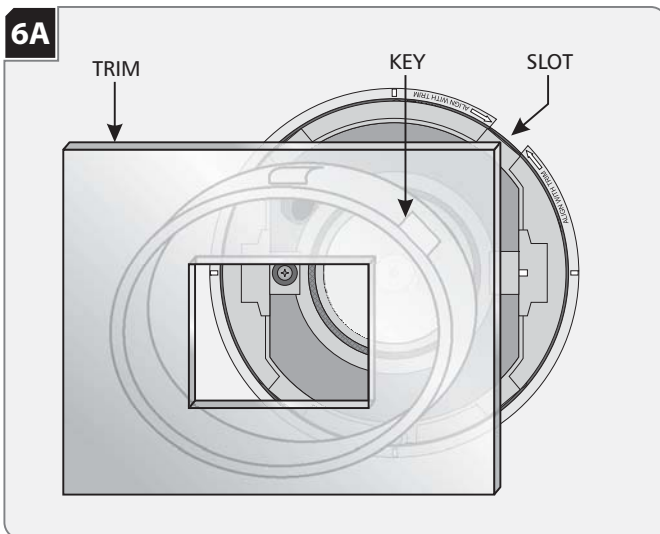
- 5 Line up the lamp holder key with the slot in the housing and push the lamp holder in to the housing until the magnets take hold.

## Aim the Lamp



- 1 To tilt the lamp:**  
Slightly loosen the tilt lock screw.  
Hold the screwdriver tip against the screw, and tilt the screwdriver until the lamp holder is at the desired angle.  
Tighten the screw to set the position.
- 2 To rotate the lamp:**  
Slightly loosen the rotation lock screw.  
Leave the screwdriver tip against the screw, and push the screwdriver to rotate the lamp holder.  
Tighten the screw to set the position.

## Install the Trim



- 1** Line up the trim key with the slot in the housing and push the trim into the housing.

**SAVE THESE INSTRUCTIONS!**

**ELEMENT**   
a brand of TECH LIGHTING™

7400 Linder Ave, Skokie, IL 60077  
847.410.4400

[www.element-lighting.com](http://www.element-lighting.com)

© 2016 Tech Lighting, L.L.C. All rights reserved. The "Element" graphic is a registered trademark of Element. Element reserves the right to change specifications for product improvements without notification.  
A Generation Brands Company