

Round or Square Type Chicago Plenum Wall Wash Housing with Electronic Transformer for Flanged Trims

E3_FW-HCE_ 1.0



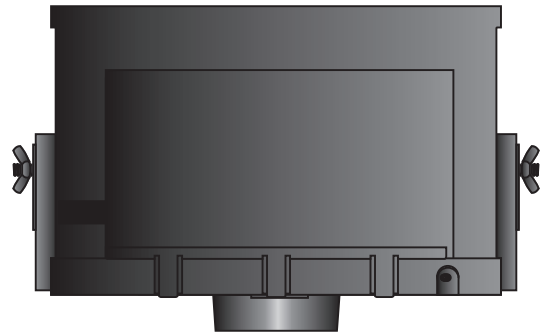
HALOGEN MR16 - ROUND/SQUARE FLANGED

GENERAL PRODUCT INFORMATION:

This product is suitable for indoor locations.

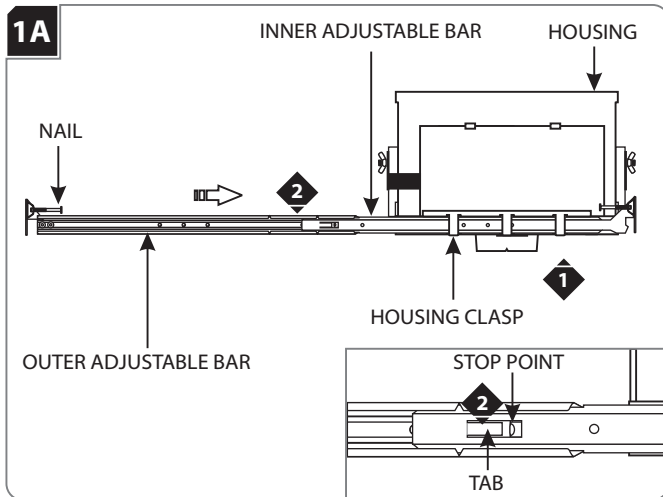
This product can be dimmed with a standard electronic dimmer.

This instruction shows a typical installation.



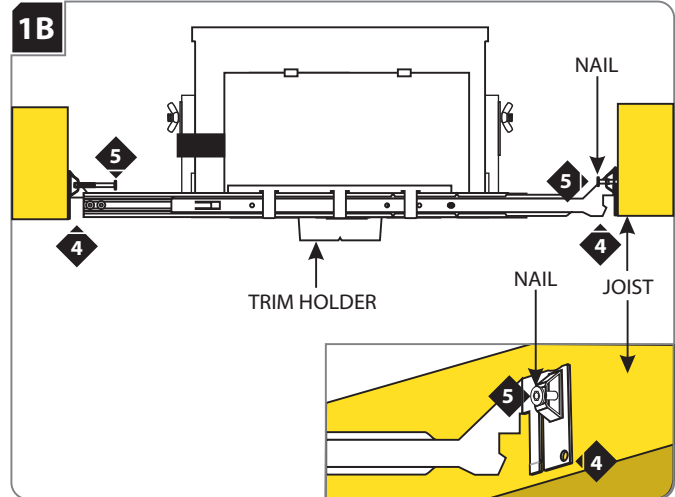
CAUTION - RISK OF FIRE
 This product requires installation by a qualified electrician. Before installing be sure to read all instructions and **TURN OFF POWER TO THE ELECTRICAL BOX.**

Install the Housing with Adjustable Bars



NOTE: If using the butterfly brackets, skip these steps and refer to "Install the Housing with Butterfly Brackets" on page 2.

- 1 Slide the inner adjustable bar completely through the three housing clasps. Make sure the attached nail is on top.
- 2 Slide and push the outer adjustable bar completely onto the inner adjustable bar so that the tab clicks into place behind the stop point. This will prevent the adjustable bars from coming apart.
- 3 Repeat steps 1 & 2 for the other side of the housing.

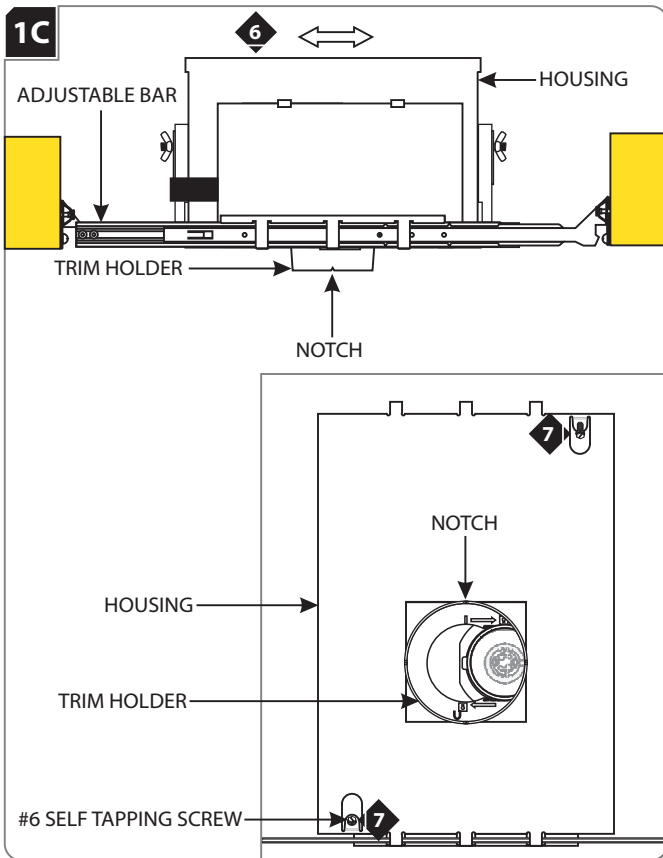


NOTE: The adjustable bars can be mounted to joists that are spaced 16" - 24" apart.

NOTE: The trim holder is 3/4" deep. When installing the adjustable bars to joists, make sure the bottom of the trim holder matches with bottom of the drywall.

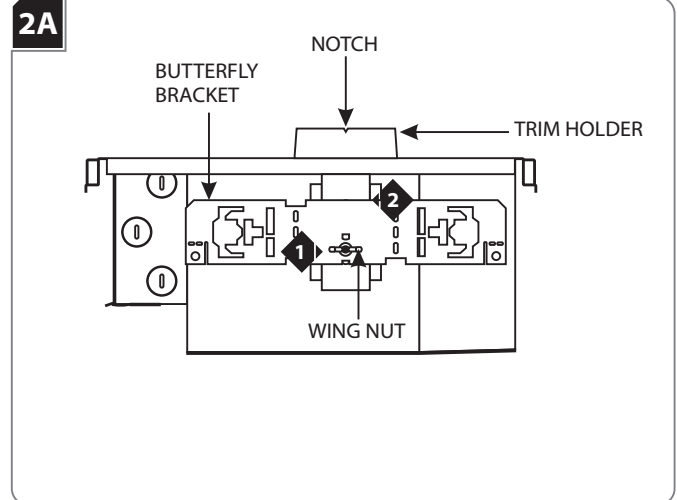
- 4 Align the adjustable bars so that the trim holder is exposed below the joists just enough to match with the drywall thickness.
- 5 Level the adjustable bars and hammer the nails completely into the joists to secure the adjustable bars in place.

Install the Housing with Butterfly Brackets



- 6 Adjust the trim holder position (horizontal position) by sliding the housing on adjustable bars.
- 7 When the desired location is achieved, tighten the two #6 self tapping screws to lock the housing onto the adjustable bars.

TIP: Notches in trim holder can be used to align multiple housings using a laser or string.

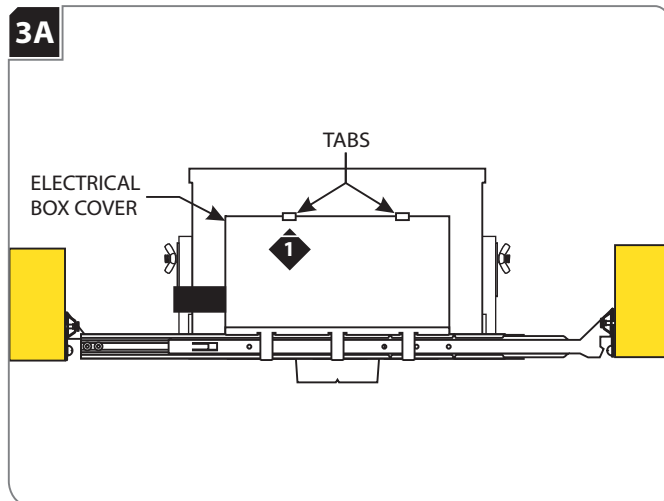


NOTE: Skip to page 3 if installing the housing with adjustable bars.

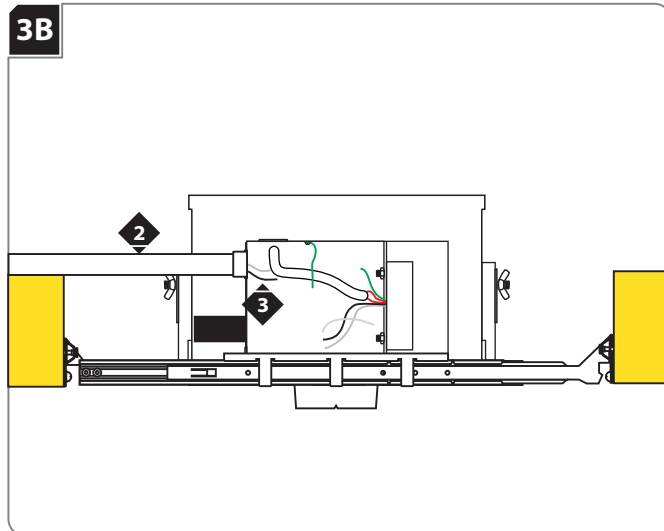
- 1 Slightly loosen the wing nut to slide the butterfly bracket up or down.
- 2 After achieving the proper location, tighten the wing nut to secure the butterfly bracket in place.
- 3 Repeat steps 1 and 2 on for the other butterfly bracket.
- 4 Utilize the butterfly brackets to install the housing in accordance with local electrical codes.

TIP: Notches in trim holder can be used to align multiple housings using a laser or string.

Connect Power to the Housing

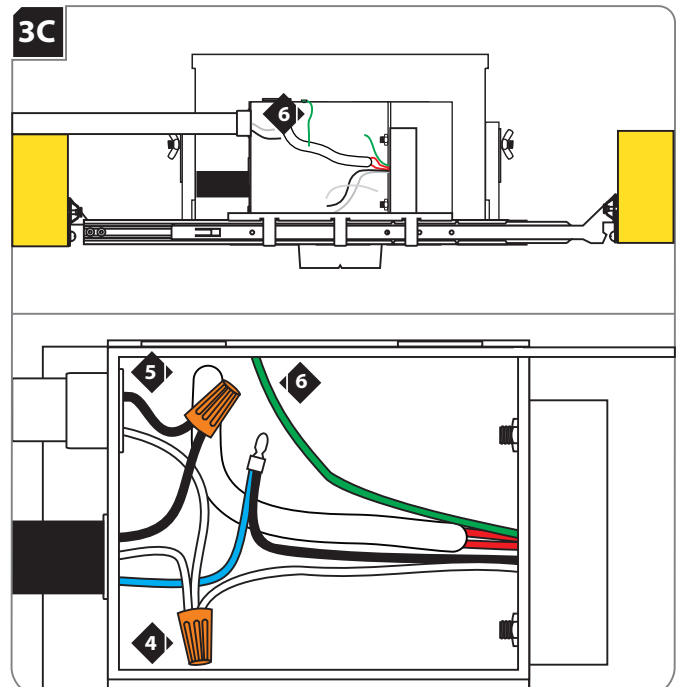


- 1 Push up on the tabs on the electrical box and remove the electrical box cover.



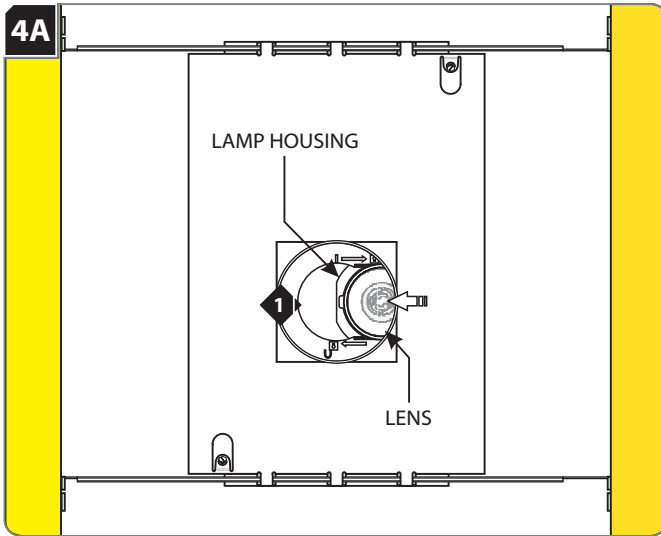
- 2 Install the conduit to the housing electrical box.
- 3 Run the power line wires into the housing electrical box.

WARNING: RISK OF FIRE: When using the housing electrical box for power feed through, use **MAX** 4 - #12 AWG, or 6 - #14 AWG branch circuit wires.

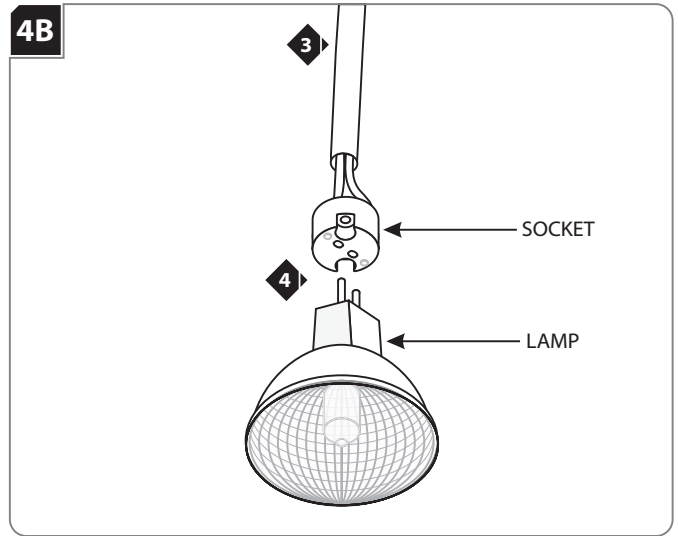


- 4 Connect the neutral power line wire to the white transformer wire and the white thermal protector wire with a wire nut.
- 5 Connect the hot power line wire to the black thermal protector wire with a wire nut.
- 6 Connect the fixture ground wire and the green transformer wire to a suitable ground according to local electrical codes.
- 7 Replace the electrical box cover. Make sure that the top edge of the cover snaps under the tabs.

Install the Lamp



- 1 Slide the lamp housing toward the center of the opening. Align the marking on the lamp holder with the "unlocked" symbol.
- 2 Pull the lens out of the lamp housing.

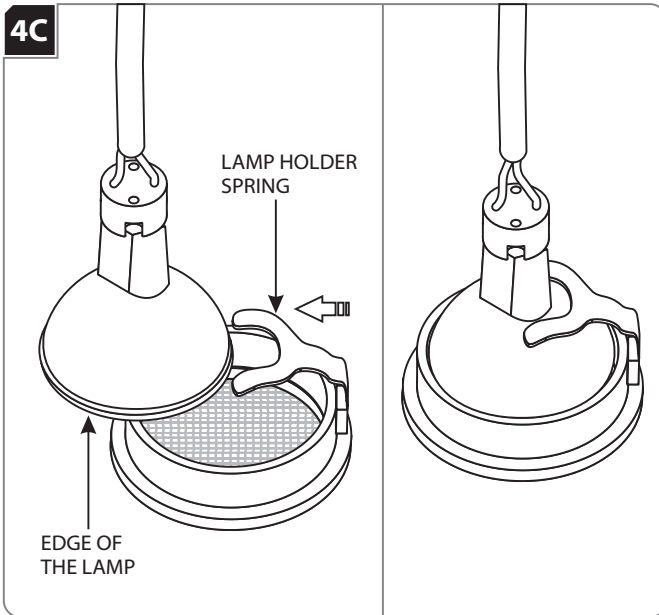


Use **MAX 75 Watt** Type MR16 Halogen Lamp.

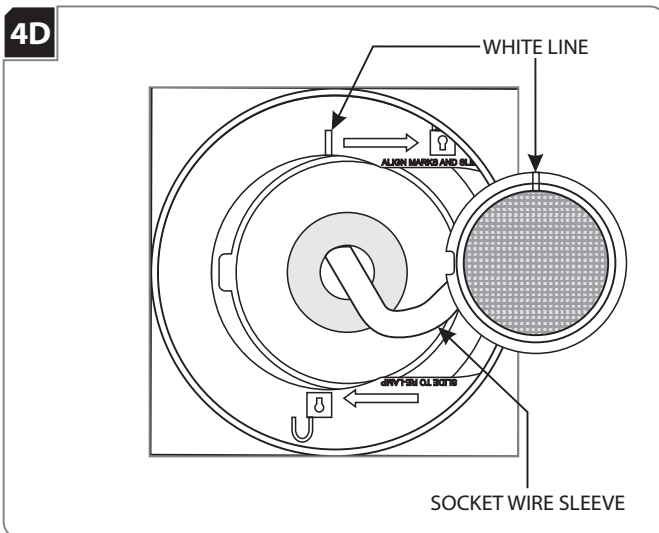


- 3 Pull out the socket from the lamp housing.
- 4 Push the lamp pins completely into the socket holes.

Install Drywall or Suspended Ceiling

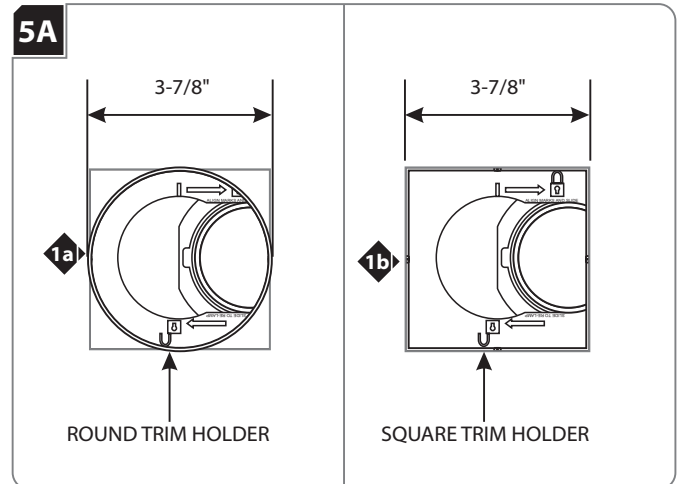


- 5 Slide the lamp holder spring completely onto back of the MR16 lamp so that the edge of the lamp snaps into the lamp cartridge assembly.

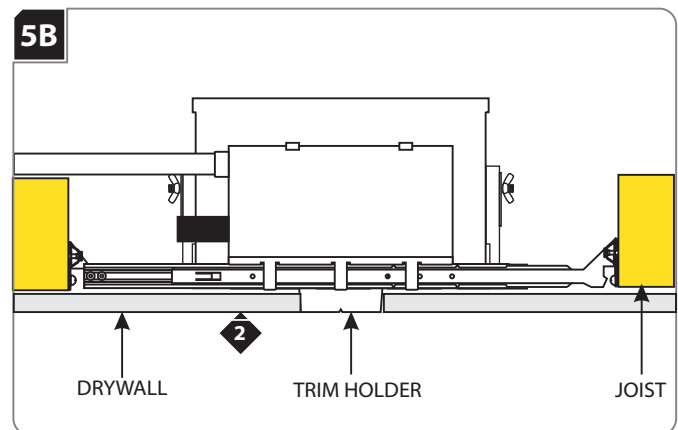


- 6 Feed the socket wire sleeve back into the lamp housing.
- 7 Align the white line on the lamp holder with the white line on the lamp housing.
- 8 Slide the lamp housing back into the locked position.

NOTE: Before installing drywall, power up and run the Element fixture(s) for 10 minutes to make sure all electrical connections are tight and secure.



- 1a For housings with round trim holder, mark a 3-7/8" diameter circle on drywall. Cut out the marked section.
- 1b For housings with square trim holder, mark a 3-7/8" square on drywall. Cut out the marked section.

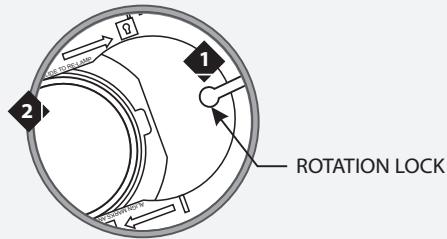


- 2 Align the cut out section of drywall with the trim holder and install drywall.

WARNING: Risk of Fire: The housing is not intended to be in contact with or covered with combustible materials and insulation. Do not install insulation within 3 inches of the housing sides or above in such a manner to entrap heat.

Adjust the Lamp Housing

6A



NOTE: The lamp housing can rotate 361°. When using a square trim, feel for detents at 90° increments to properly align the lamp to the trim.

- 1 Pull the rotation lock down.
- 2 Rotate the lamp housing. When the desired position is achieved, push the rotation lock up to lock the lamp housing in place.
- 3 To install the flanged trim, refer to the instruction provided with the trim.

IMPORTANT SAFETY INSTRUCTIONS

To reduce the risk of fire, electrical shock, exposure to excessive UV radiation, or injury to person:

- Use this fixture indoors only.
- Do not look directly at the lighted lamp.
- Do not remain in light if skin feels warm.
- Risk of fire: Use only the type of lamp and maximum wattage indicated in this instruction manual.
- Never cover the halogen lamp with anything other than a Tech Lighting lamp shield and never place flammable material close to your fixture.
- Do not touch the fixture shades or lamp shield while the fixture is on. These surfaces may be HOT.
- To avoid glare in child's eyes, hang the fixture at least 18" above a table.

Halogen Lamp General Information

- It is normal for a new halogen lamp to smoke slightly on first use. The protective coating is being vaporized.

Prolonging Halogen Lamp Life

- Do not touch the lamp with bare hands. Any contaminant, even the oil from your hands can deteriorate the lamp. Handle the lamp with a soft, clean cloth. Rubbing alcohol can be used to remove any contaminant from the lamp.
- Do not run the lamps at full power when you do not need to. However, if dimming the fixture for an extended period of time, occasionally bring the light up to full brightness for a few minutes to complete the halogen cycle.

NOTES

SAVE THESE INSTRUCTIONS!

ELEMENT 
a brand of **TECH LIGHTING**

7400 Linder Ave, Skokie, IL 60077

847.410.4400

www.element-lighting.com

© 2010 Element Lighting, L.L.C. All rights reserved. The "Element" graphic is a registered trademark of Element. Element reserves the right to change specifications for product improvements without notification.

A Generation Brands Company