

Round or Square Type IC Down Light Housing with Toroidal Transformer for Flanged Trims

E3_F_-HDIM_ 1.5



HALOGEN MR16 - ROUND/SQUARE FLANGED

GENERAL PRODUCT INFORMATION: 

This product can be dimmed with a low-voltage magnetic dimmer.

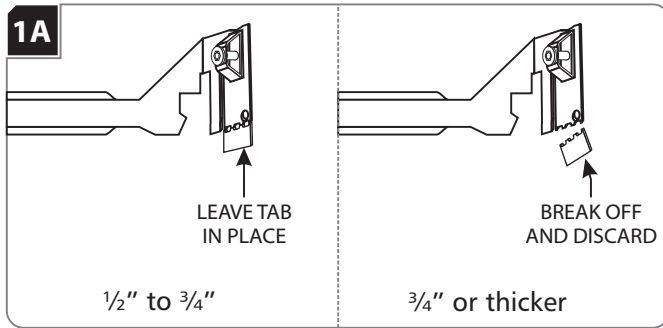
For insulation applications above R25, no branch circuits allowed.

This instruction shows a typical installation.



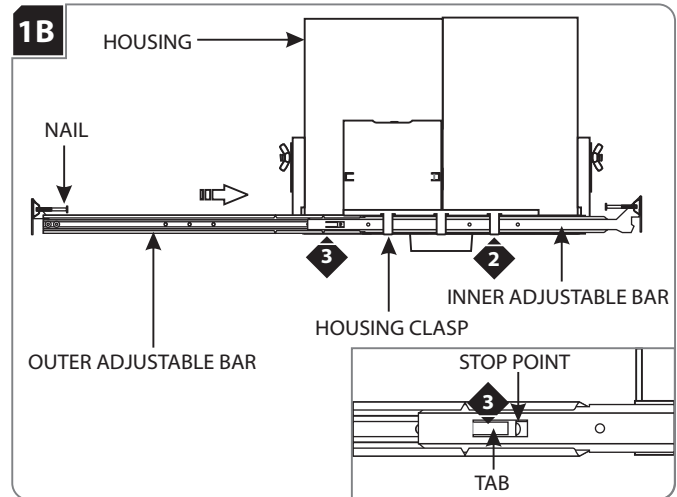
CAUTION - RISK OF FIRE
 This product must be installed in accordance with the applicable installation code by a person familiar with the construction and operation of the product and the hazards involved.
 Use minimum 90°C supply conductors.

Install the Housing with Adjustable Bars

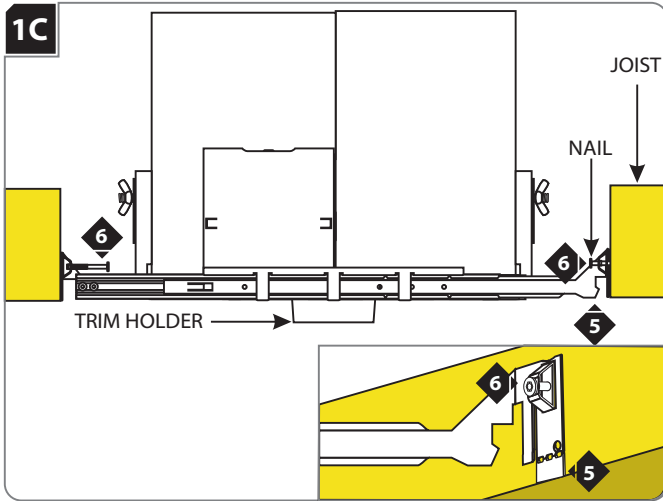


NOTE: Skip this section if installing the housing with butterfly brackets.

- 1 **Keep Tab for ceiling 1/2" to 3/4" thick.**
 When using adjustable hanger bars with 1/2" to 3/4" thick ceilings, leave the tab of the hanger bars in place.
Break off Tab for ceiling 3/4" or thicker.
 When using adjustable hanger bars with 3/4" or thicker ceilings, remove the tab by bending it at the perforation.

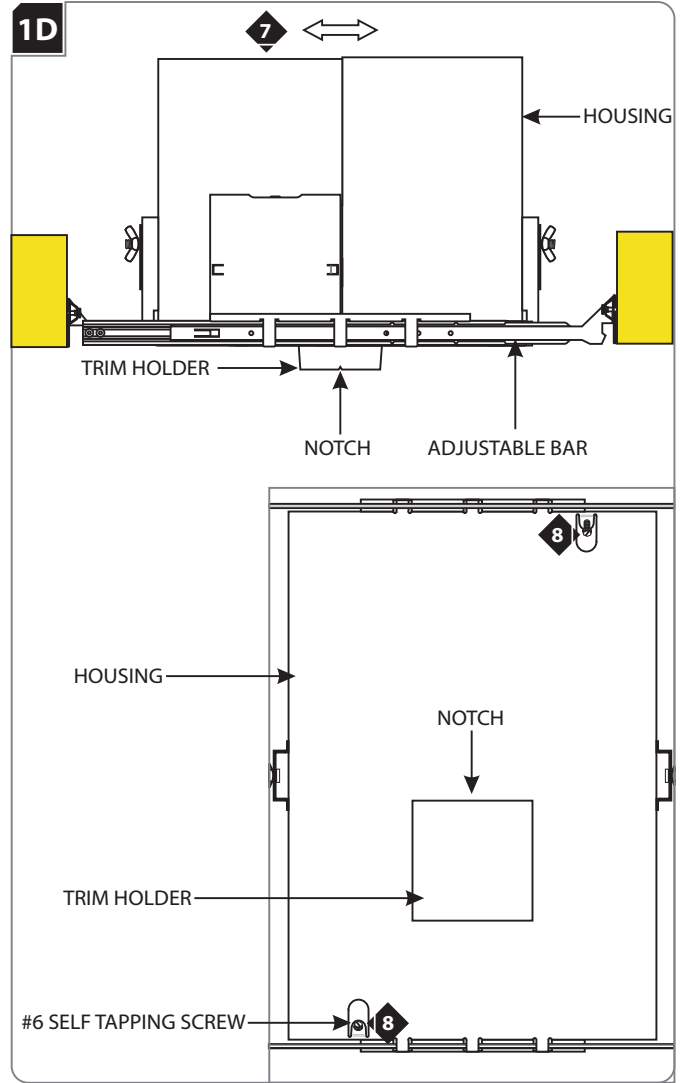


- 2 Slide the inner adjustable bar completely through the three housing clasps. Make sure the nail is on top.
- 3 Slide and push the outer adjustable bar completely onto the inner adjustable bar so that the tab clicks into place behind the stop point. This will prevent the adjustable bars from coming apart.
- 4 Repeat steps 2 & 3 for the other side of the housing.



NOTE: The adjustable bars can be mounted to joists that are spaced 16" - 24" apart.

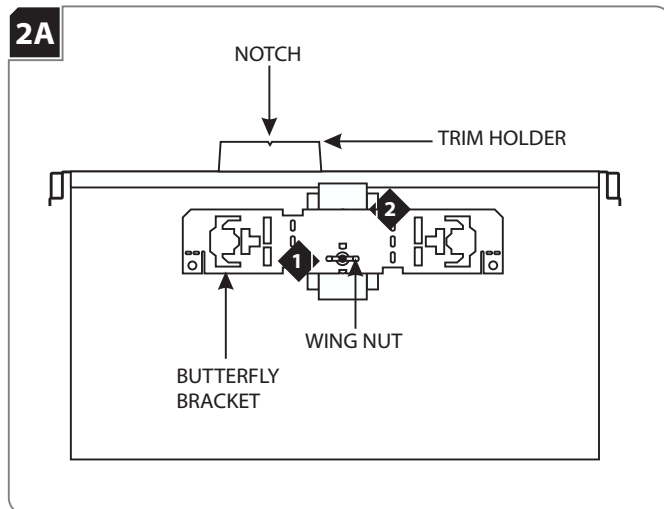
- 5 Align the bottom of the end plates with the bottom of the ceiling joists.
- 6 Level the adjustable bars and, with a hammer, tap the nails completely into the joists to secure the adjustable bars in place.



- 7 Adjust the trim holder position (horizontal position) by sliding the housing on adjustable bars.
- 8 When the desired location is achieved, tighten the two #6 self tapping screws to lock the housing onto the adjustable bars.

NOTE: Notches in trim holder can be used to align multiple housings using a laser or string.

Install the Housing with Butterfly Brackets

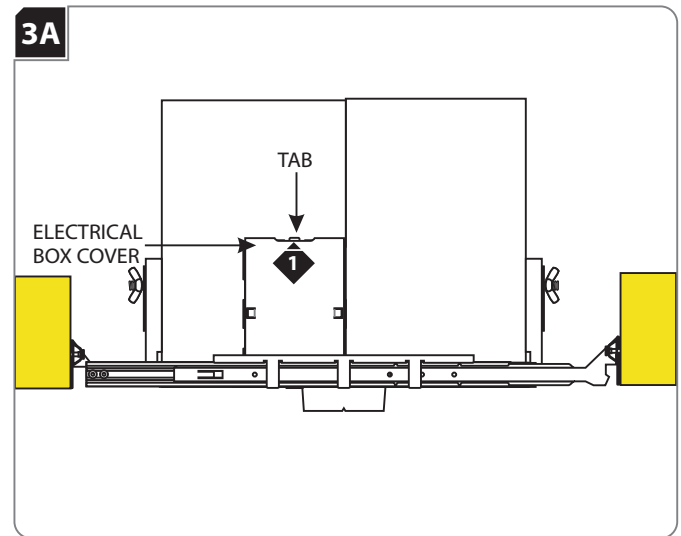


NOTE: Skip this section if installing the housing with adjustable bars.

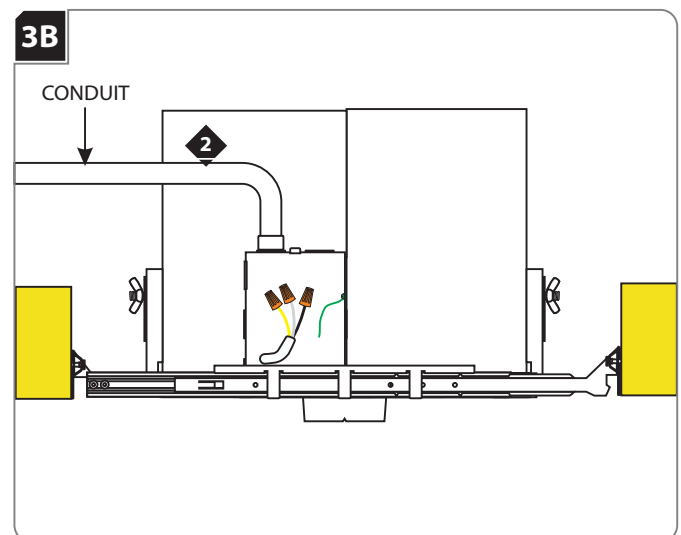
- 1 Slightly loosen the wing nut to slide the butterfly bracket up or down.
- 2 After achieving the proper location, tighten the wing nut to secure the butterfly bracket in place.
- 3 Repeat steps 1 and 2 on for the other butterfly bracket.
- 4 Utilize the butterfly brackets to install the housing in accordance with local electrical codes.

NOTE: Notches in trim holder can be used to align multiple housings using a laser or string.

Connect Power to the Housing



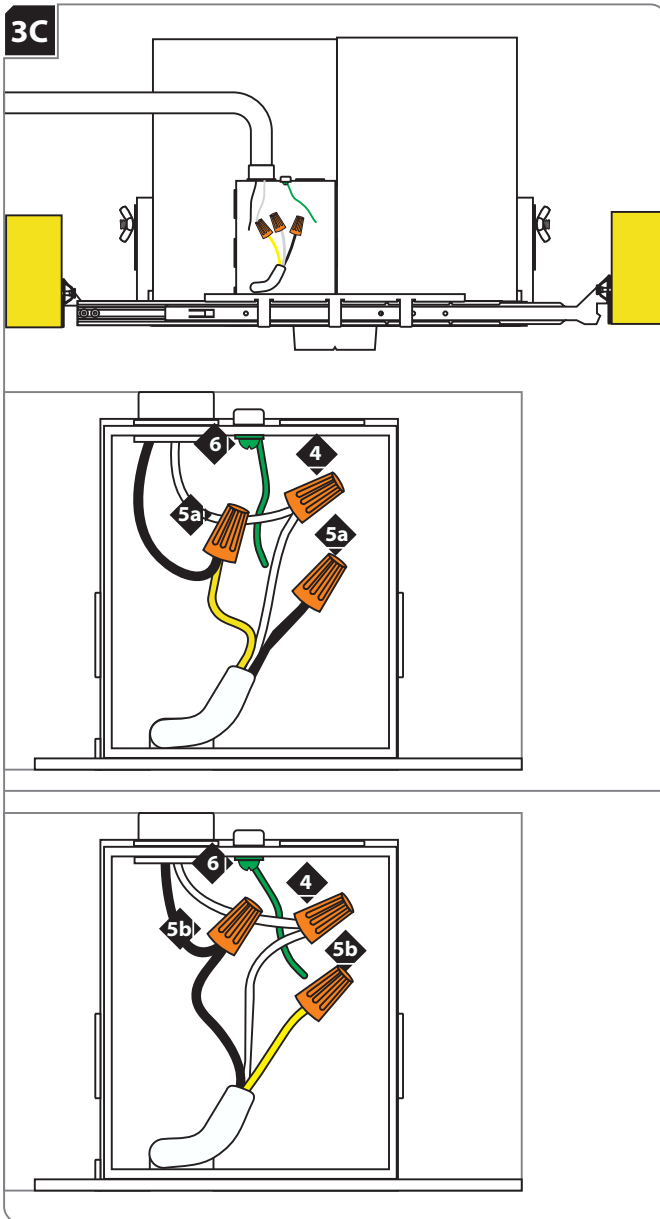
- 1 Push the tab on the housing electrical box up and remove the electrical box cover.



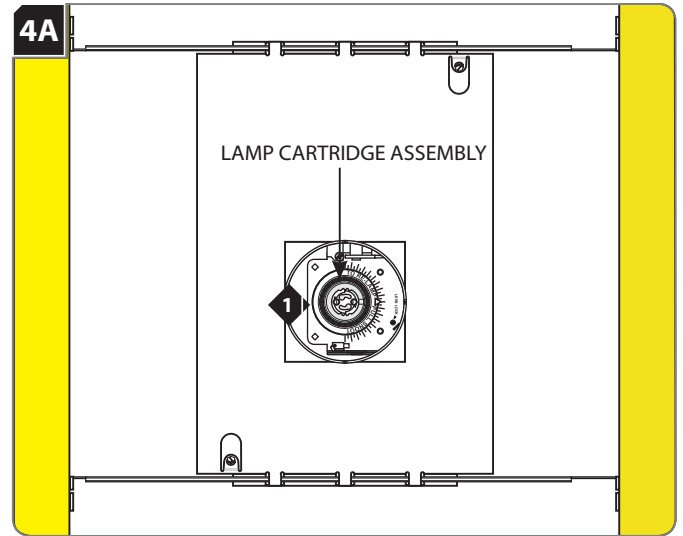
- 2 Install the conduit to the housing electrical box.

WARNING: RISK OF FIRE: When using the housing electrical box for power feed through, use **MAX** 4 - #12 AWG, or 6 - #14 AWG branch circuit wires.

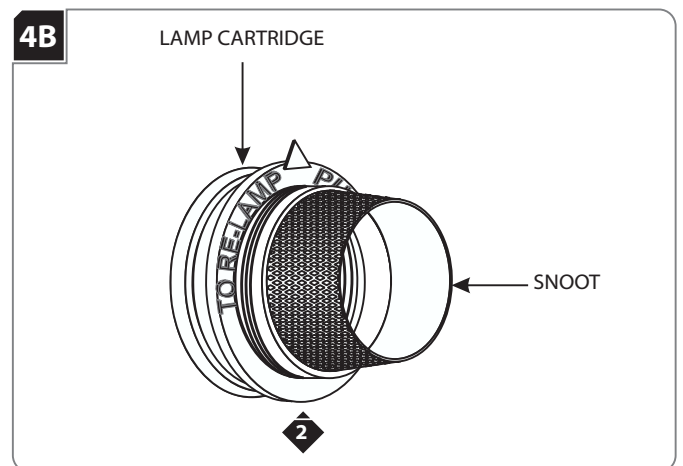
Install the Lamp & Lens Accessories



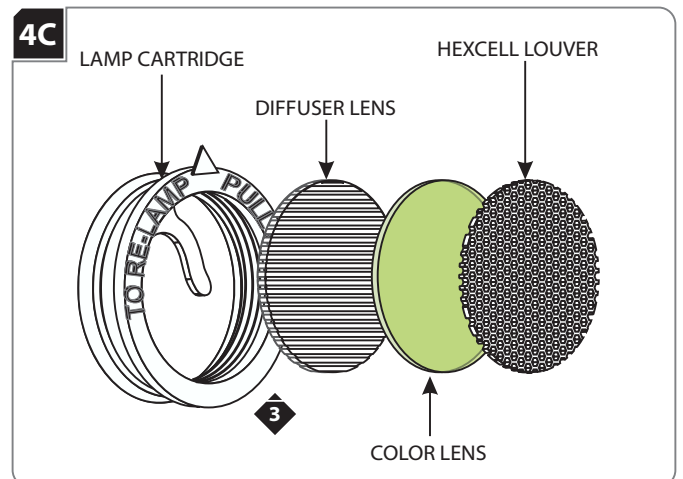
- 3 Run the power line wires into the housing electrical box.
- 4 Connect the neutral power line wire to the white transformer wire with a wire nut.
- 5a If using a dimmer, connect the hot power line wire to the yellow transformer wire with a wire nut. **Make sure that the black transformer wire is disconnected, capped with a wire nut.**
- 5b If using a switch, connect the hot power line wire to the black transformer wire with a wire nut. **Make sure that the yellow transformer wire is disconnected, capped with a wire nut.**
- 6 Make sure that housing is grounded in accordance with local electrical codes.
- 7 Replace the electrical box cover. Make sure that the top edge of the cover snaps under the tab.



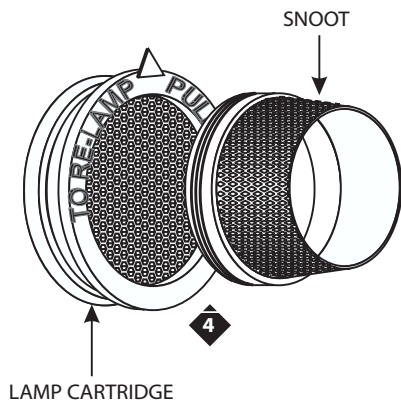
- 1 Pull the snout to remove the lamp cartridge assembly.



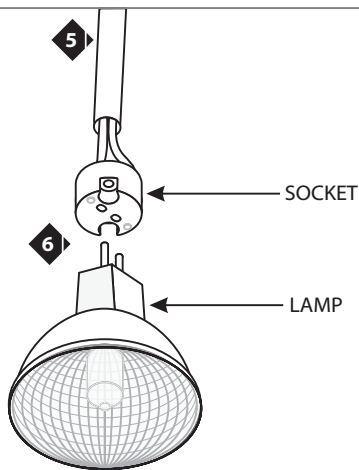
- 2 Unscrew the snout from the lamp cartridge.



- 3 Place a maximum of three accessories (optional) into the lamp cartridge.

4D

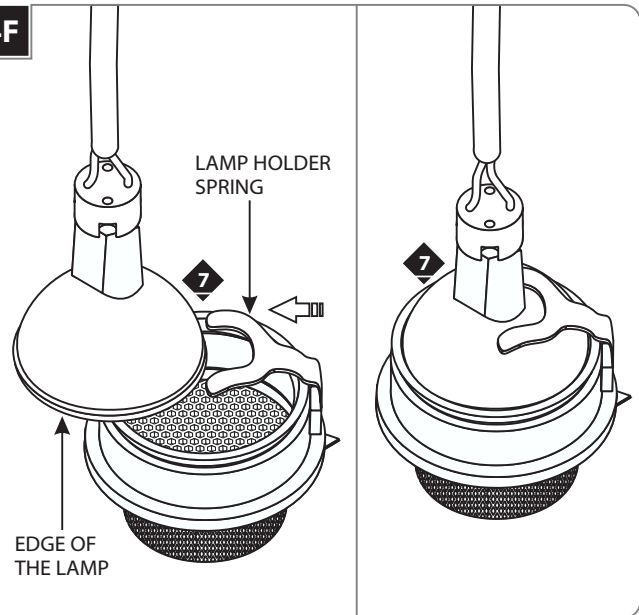
- 4 Replace and tighten the snoot completely to the lamp cartridge.

4E

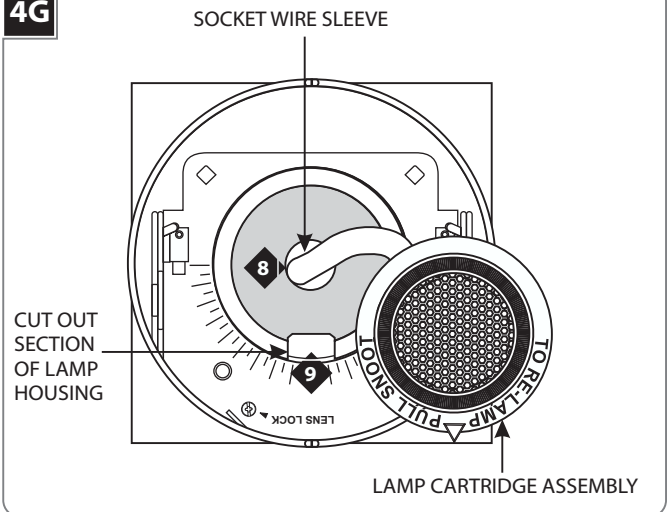
Use **MAX 75 Watt** Type MR16 Halogen Lamp.



- 5 Pull out the socket from the lamp housing.
6 Push the lamp pins completely into the socket holes.

4F

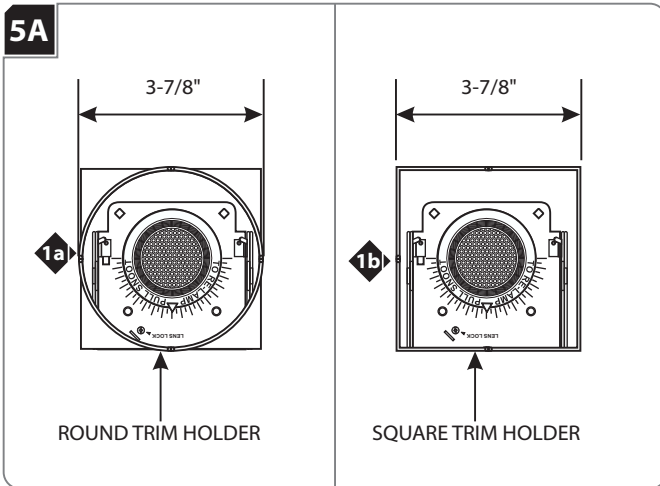
- 7 Slide the lamp holder spring completely onto back of the MR16 lamp so that the edge of the lamp snaps into the lamp cartridge assembly.

4G

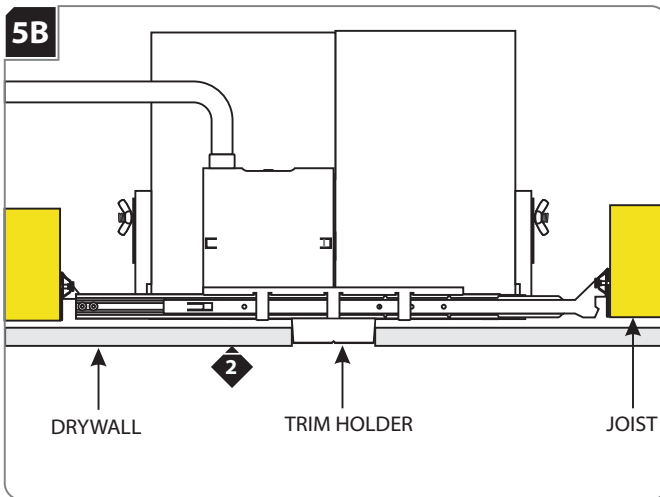
- 8 Feed the socket wire sleeve back into the lamp housing.
9 Align the arrow indicator on the lamp cartridge assembly with the cut out section of the lamp housing. Push to snap the lamp cartridge assembly into the lamp housing.

TIP: Before installing ceiling, power up and run the Element fixture(s) for 10 minutes to make sure all electrical connections are tight.

Install Drywall or Suspended Ceiling



- 1a** For housings with round trim holder, mark a 3-7/8" diameter circle on drywall (or acoustic panel). Cut out the marked section.
- 1b** For housings with square trim holder, mark a 3-7/8" square on drywall (or acoustic panel). Cut out the marked section.



- 2** Align the cut out section of drywall with the trim holder and install the drywall.

WARNING: Risk of Fire: The housing is not intended to be in contact with or covered with combustible materials and insulation. Do not install insulation within 3 inches of the housing sides or above in such a manner to entrap heat.

Notes:

SAVE THESE INSTRUCTIONS!



7400 Linder Ave, Skokie, IL 60077

847.410.4400

www.element-lighting.com

© 2016 Tech Lighting, L.L.C. All rights reserved. The "Element" graphic is a registered trademark of Element. Element reserves the right to change specifications for product improvements without notification.

A Generation Brands Company