

Round or Square Type Low-Profile Housing with Remote Transformer for Flanged Trims

E3_FF-HDSR-WR_ 1.0

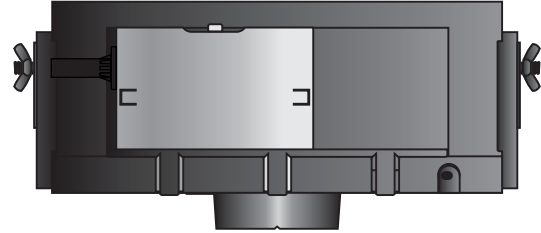


HALOGEN MR16 - ROUND/SQUARE FLANGED

GENERAL PRODUCT INFORMATION:

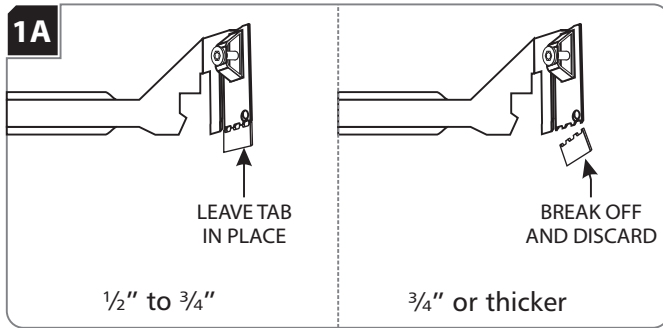
This product is suitable for indoor locations.

This instruction shows a typical installation.



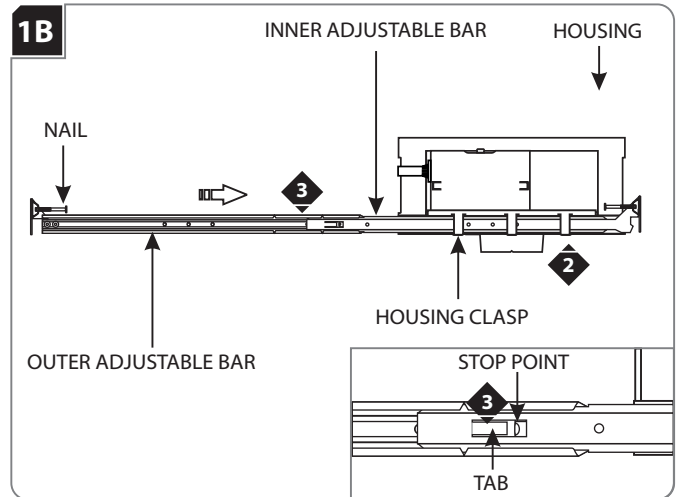
CAUTION - RISK OF FIRE
 This product requires installation by a qualified electrician. Before installing be sure to read all instructions and **TURN OFF POWER TO THE ELECTRICAL BOX.**

Install the Housing with Adjustable Bars

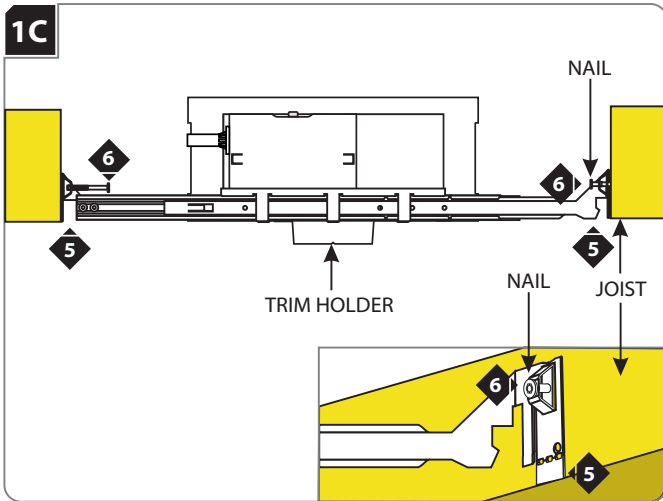


NOTE: Skip this section if installing the housing with butterfly brackets.

- 1** **Keep Tab for ceiling 1/2" to 3/4" thick.**
 When using adjustable hanger bars with 1/2" to 3/4" thick ceilings, leave the tab of the hanger bars in place.
Break off Tab for ceiling 3/4" or thicker.
 When using adjustable hanger bars with 3/4" or thicker ceilings, remove the tab by bending it at the perforation.

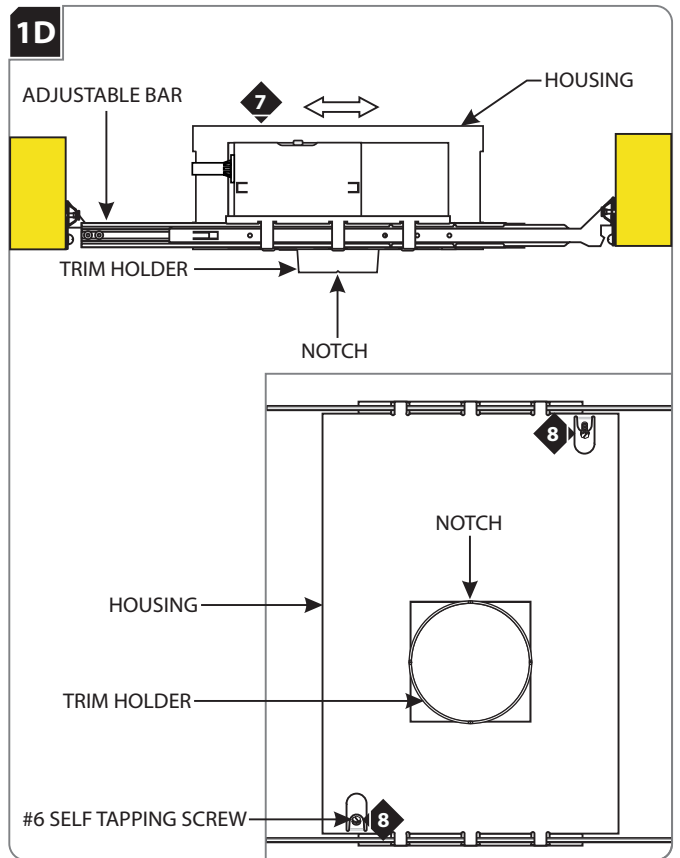


- 2** Slide the inner adjustable bar completely through the three housing clasps. Make sure the nail is on top.
- 3** Slide and push the outer adjustable bar completely onto the inner adjustable bar so that the tab clicks into place behind the stop point. This will prevent the adjustable bars from coming apart.
- 4** Repeat steps 2 & 3 for the other side of the housing.



NOTE: The adjustable bars can be mounted to joists that are spaced 16" - 24" apart.

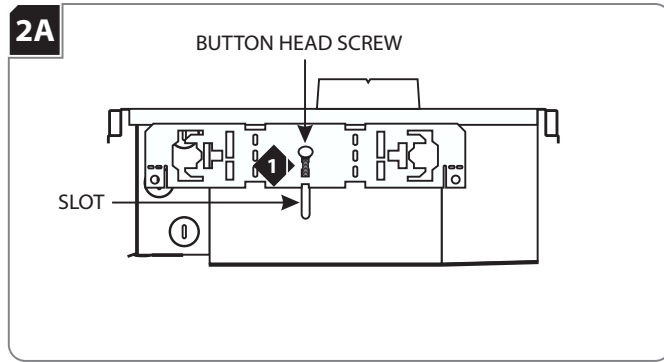
- 5 Align the bottom of the end plates with the bottom of the ceiling joists.
- 6 Level the adjustable bars and, with a hammer, tap the nails completely into the joists to secure the adjustable bars in place.



- 7 Adjust the trim holder position (horizontal position) by sliding the housing on adjustable bars.
- 8 When the desired location is achieved, tighten the two #6 self tapping screws to lock the housing onto the adjustable bars.

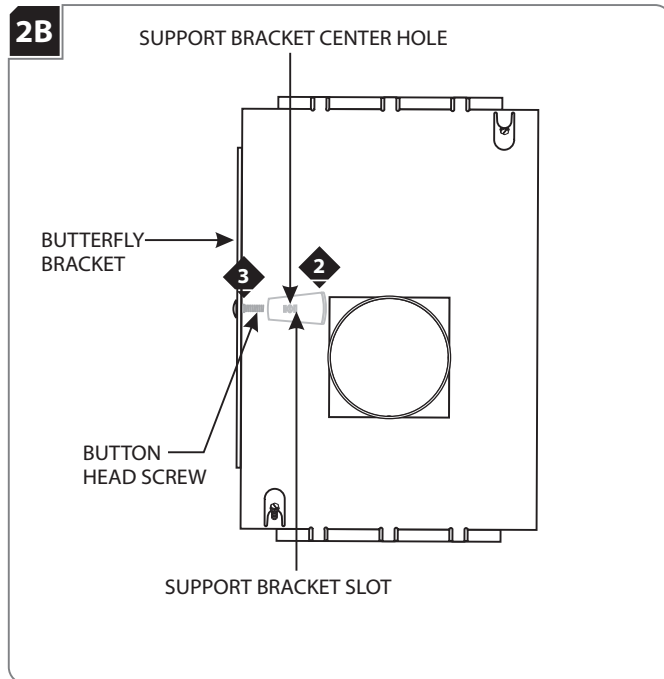
NOTE: Notches in trim holder can be used to align multiple housings using a laser or string.

Install the Housing with Butterfly Brackets

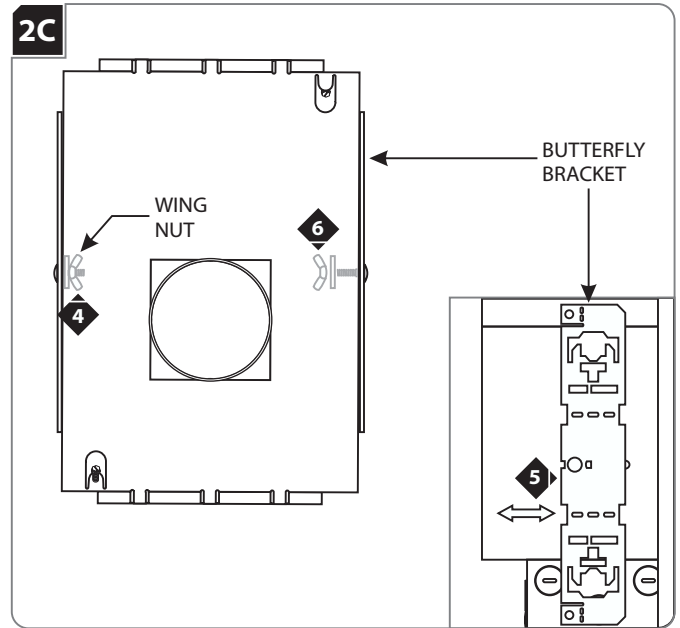


NOTE: Skip this section if installing the housing with adjustable bars.

- 1 Place the button head screw through the square cut out of the butterfly bracket into the housing slot.



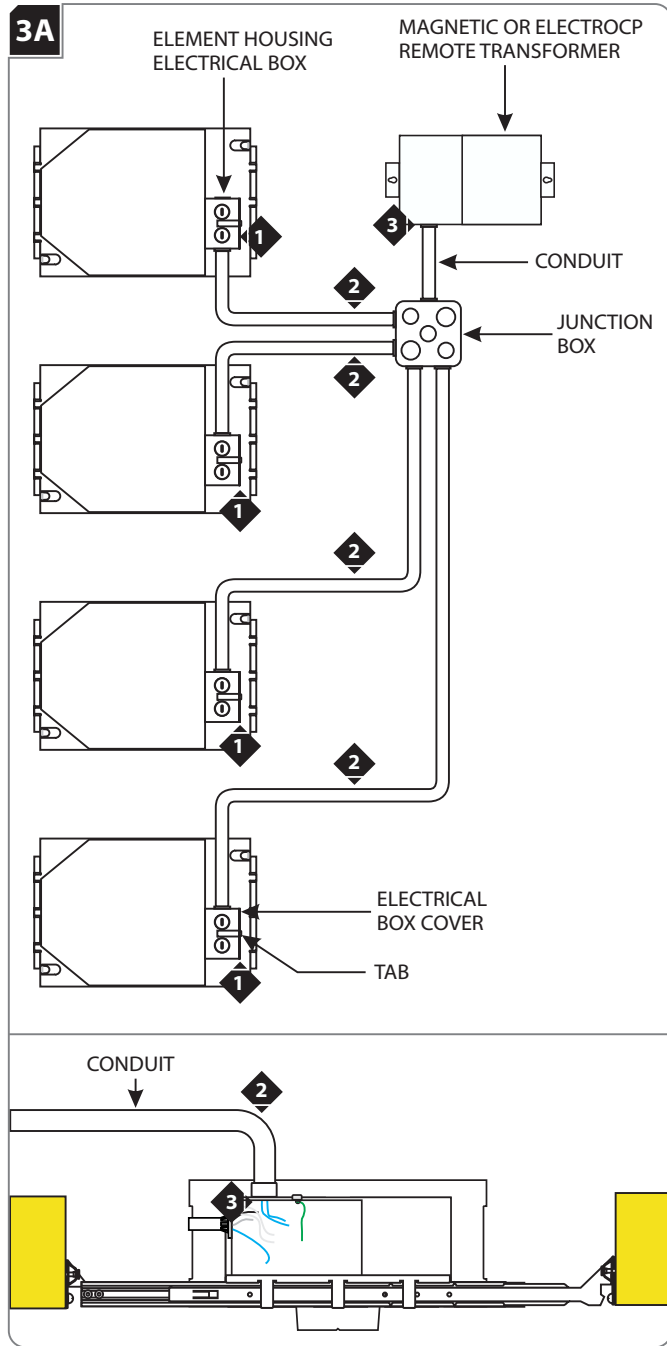
- 2 Place the support bracket center hole onto the button head screw.
- 3 Push the support bracket slots against the butterfly bracket tabs.



- 4 Attach the wing nut loosely to the button head screw.
- 5 Slide the butterfly bracket up or down to achieve the proper location. Tighten the wing nut to secure the butterfly bracket in place.
- 6 Repeat steps 1-5 for the other butterfly bracket.
- 7 Use the butterfly brackets to install the housing in accordance with local building and electrical codes.

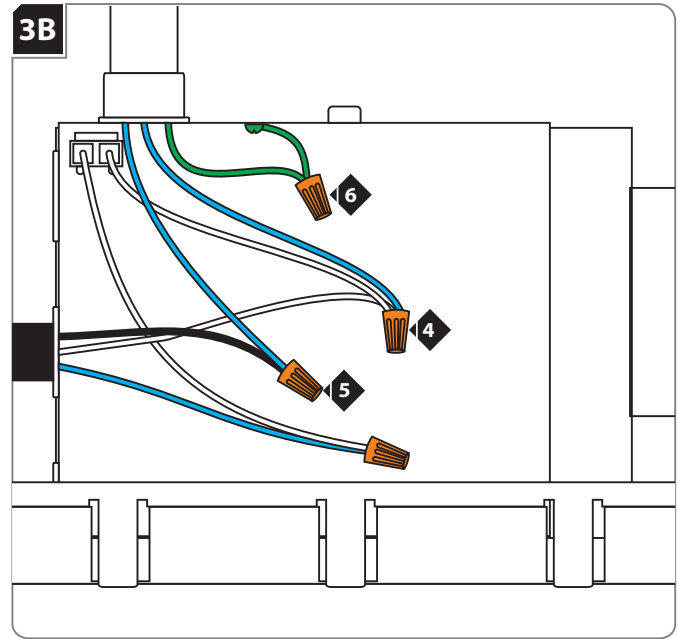
NOTE: Notches in trim holder can be used to align multiple housings using a laser or string.

Connect Power to the Housing

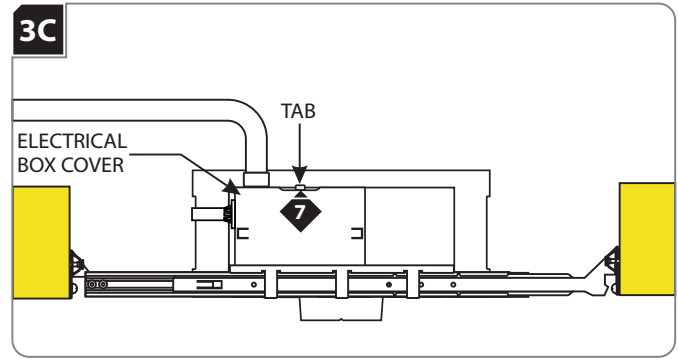


- 1 For each Element housing, push the tab on the housing electrical box up and remove the electrical box cover.
- 2 Run conduits from remote transformer (via a junction box) to the each Element housing electrical box.
- 3 Branch the low voltage wires from the remote transformer (via junction box) to Element housings. For proper low voltage wire size, refer to the "Low Voltage Wire Size Table" provided in the remote transformer instruction.

WARNING: RISK OF FIRE: When using the housing electrical box for power feed through, use **MAX** 4 - #12 AWG, or 6 - #14 AWG branch circuit wires.



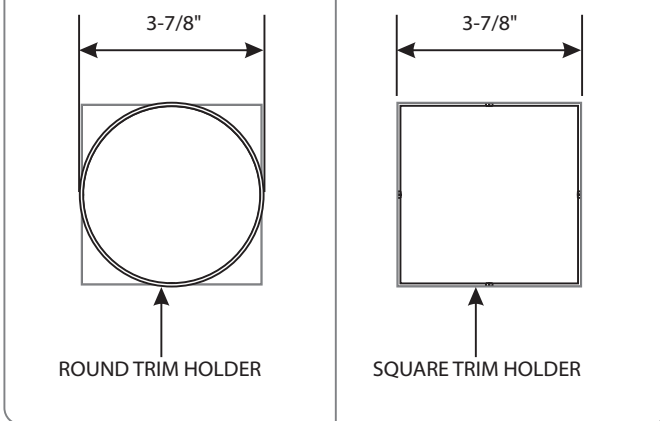
- 4 Connect one low voltage wire to one socket wire and the white thermal protector wire with a wire nut.
- 5 Connect the other low voltage wire to the black thermal protector wire with a wire nut.
- 6 Make sure that housing is grounded in accordance with local electrical codes.



- 7 Replace the electrical box cover. Make sure that the top edge of the cover snaps under the tab.
- 8 Repeat steps 4 through 6 for the remaining Element housings.

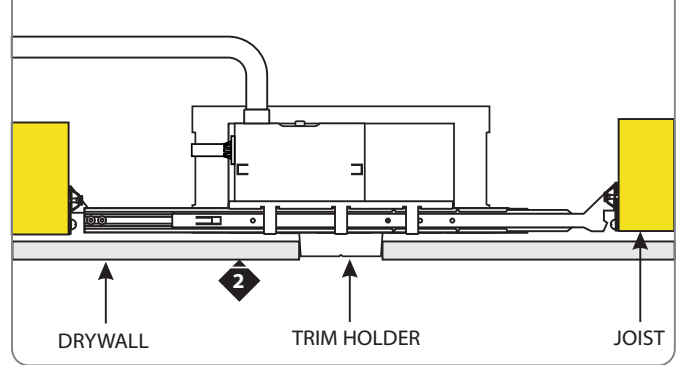
Install Drywall or Suspended Ceiling

4A



- 1 For round trims, mark a 3-7/8" diameter circle on drywall. Cut out the marked section.
For square trims, mark a 3-7/8" square on drywall. Cut out the marked section.

4B

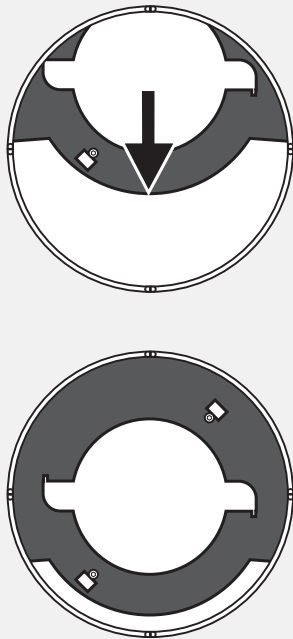


- 2 Align the cut out section of drywall with the trim holder and install the drywall.

WARNING: Risk of Fire: The housing is not intended to be in contact with or covered with combustible materials and insulation. Do not install insulation within 3 inches of the housing sides or above in such a manner to entrap heat.

Adjust the Lamp Housing

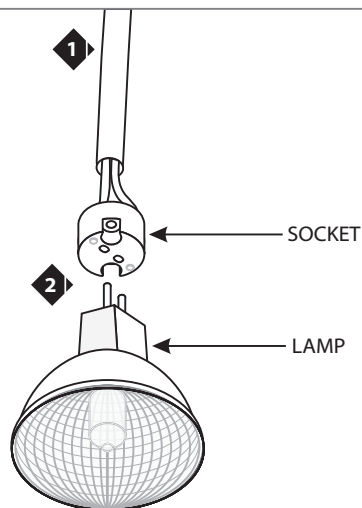
5A



- 1 Ensure that the lamp housing is centered to the aperture by pulling it to the center of the housing. When centered the locking pin will be engaged.

Install the Lamp

5A

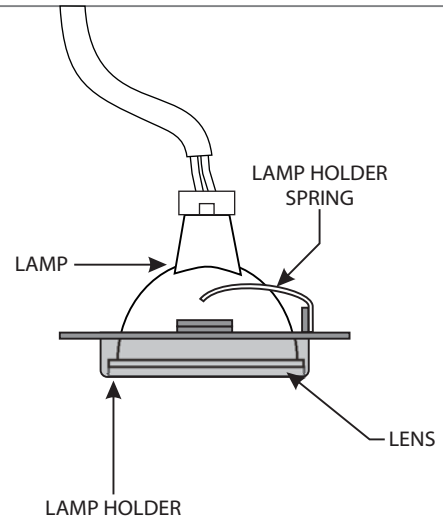


Use **MAX 50** Watt Type MR16 Halogen Lamp.



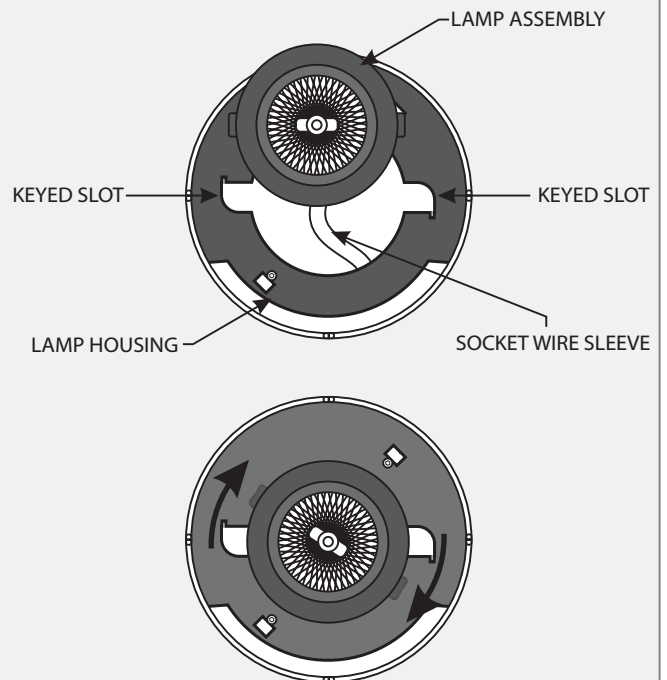
- 1 Pull the socket out of the housing.
- 2 Push the lamp pins completely into the socket holes.

5B



- 3 Ensure that the glass lens is properly inside the lamp holder.
- 4 Slide the lamp completely into the lamp holder spring so the lamp snaps into the lamp holder.

5C



- 5 Feed the socket wire sleeve back into the lamp housing and align the lamp assembly with the keyed slots on the lamp housing.
- 6 Place the lamp assembly into the lamp housing and rotate it until it locks into place.

IMPORTANT SAFETY INSTRUCTIONS

To reduce the risk of fire, electrical shock, exposure to excessive UV radiation, or injury to person:

- Use this fixture indoors only.
- Do not look directly at the lighted lamp.
- Do not remain in light if skin feels warm.
- Risk of fire: Use only the type of lamp and maximum wattage indicated in this instruction manual.
- Never cover the halogen lamp with anything other than a Element Lighting lamp shield and never place flammable material close to your fixture.
- Do not touch the fixture shades or lamp shield while the fixture is on. These surfaces may be HOT.
- To avoid glare in child's eyes, hang the fixture at least 18" above a table.

Halogen Lamp General Information

- It is normal for a new halogen lamp to smoke slightly on first use. The protective coating is being vaporized.

Prolonging Halogen Lamp Life

- Do not touch the lamp with bare hands. Any contaminant, even the oil from your hands can deteriorate the lamp. Handle the lamp with a soft, clean cloth. Rubbing alcohol can be used to remove any contaminant from the lamp.
- Do not run the lamps at full power when you do not need to. However, if dimming the fixture for an extended period of time, occasionally bring the light up to full brightness for a few minutes to complete the halogen cycle.

SAVE THESE INSTRUCTIONS!

ELEMENT 
a brand of **TECH LIGHTING**

7400 Linder Ave, Skokie, IL 60077

847.410.4400

www.element-lighting.com

© 2012 Element Lighting, L.L.C. All rights reserved. The "Element" graphic is a registered trademark of Element. Element reserves the right to change specifications for product improvements without notification.

A Generation Brands Company