

Remodel 3" LED Adjustable Housing IC Rated

E3_R_-_AI_ 1.0



GENERAL PRODUCT INFORMATION

This product is suitable for remodel and new construction applications.

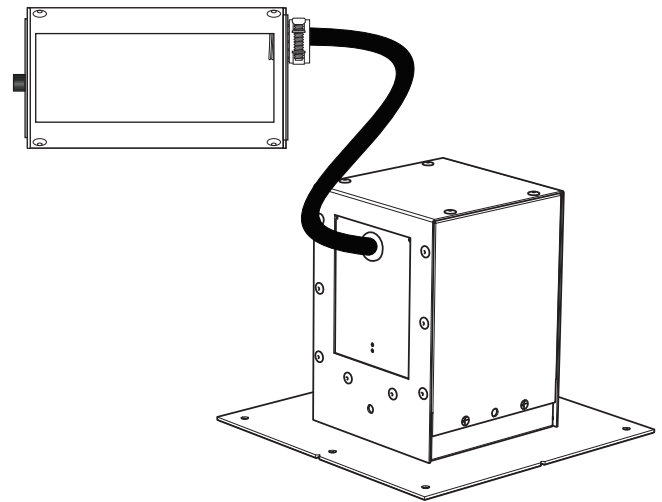


This product is suitable for damp locations.

This product is approved for use at any height above the finished floor.

This product can be dimmed with a standard electronic dimmer.

A typical installation is shown. Specific installation must be in accordance with local electrical codes. Read all instructions thoroughly before installing.



SAVE THESE INSTRUCTIONS!

Prepare for Installation

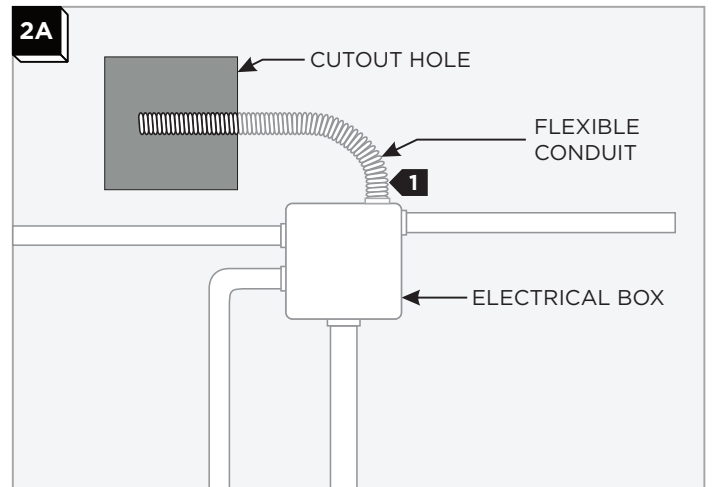
1A

CEILING CUTOUT	
Round	\varnothing 4"
Square	4"

- 1** Locate any electrical boxes and conduit already present in the ceiling.
- 2** Mark the center of the desired fixture location and follow the table above for ceiling cut out dimensions. Take care not to damage any existing electrical boxes or conduit.

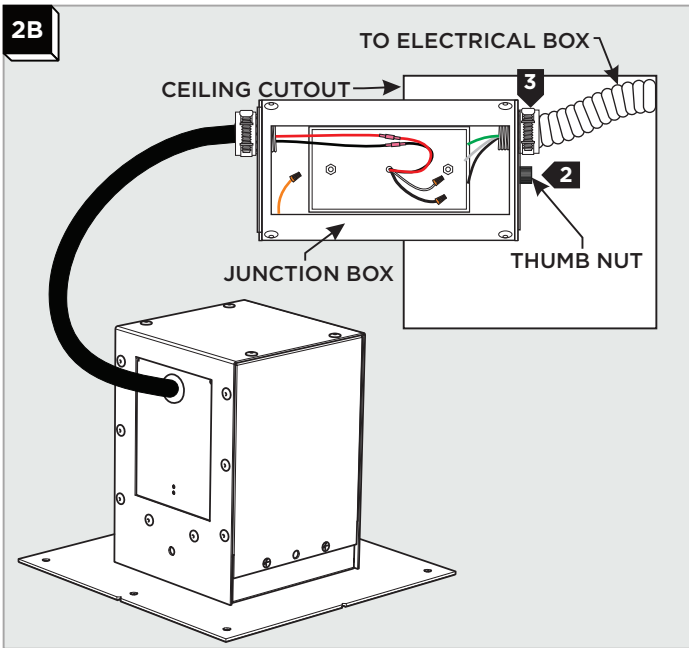
For unit with **on-board driver**, go to **Section 2**
 For unit with **remote driver**, go to **Section 3**

On-Board Driver Unit Installation



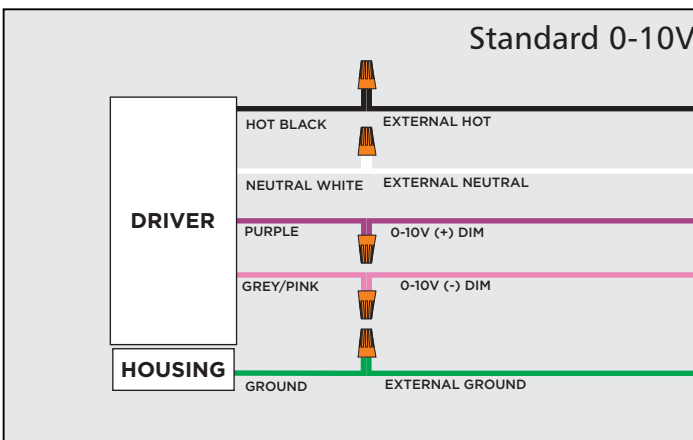
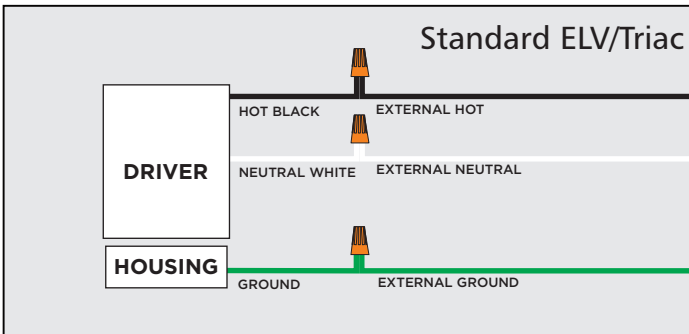
- 1** Attach flexible conduit (not included) to an electrical box and feed the conduit out of the cutout hole.

Remote Driver Unit Installation

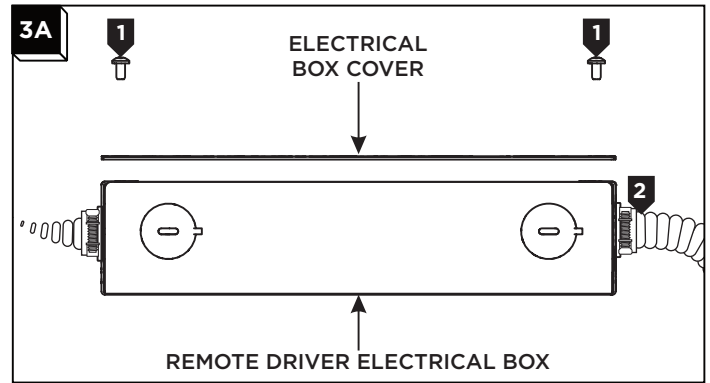


- 2** Loosen the thumbnut and remove the cover from the junction box.
- 3** Attach flexible conduit (installed in section 2A) to the junction box.
- 4** Power the fixture using the following wiring diagrams according to the driver included with the fixture.

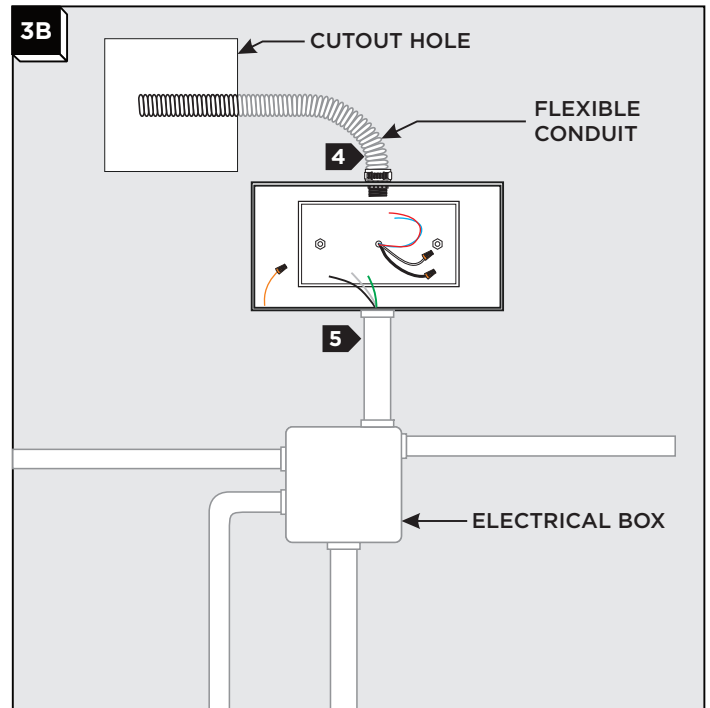
Wiring Diagrams (On-Board Drivers)



For **Flangeless** installs, skip to **Section 4**
 For **Flanged** installs, skip to **Section 5**

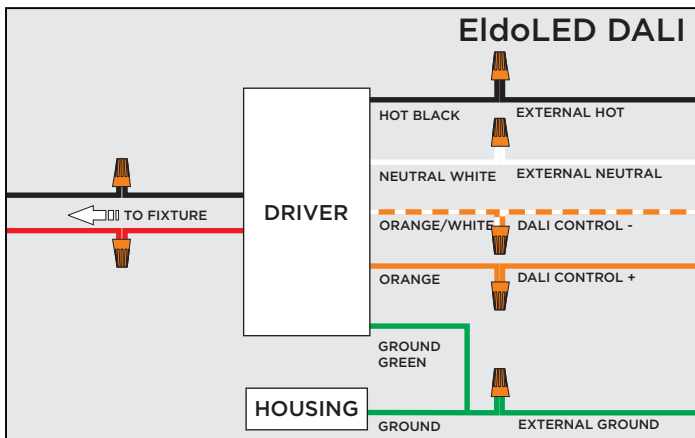
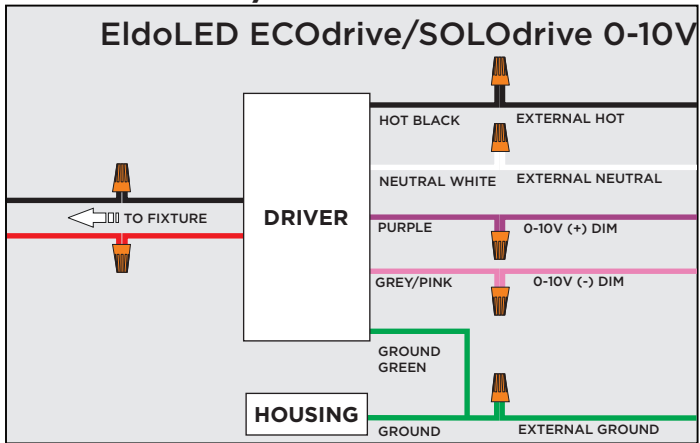


- 1** Open remote driver junction box by removing 2 screws.

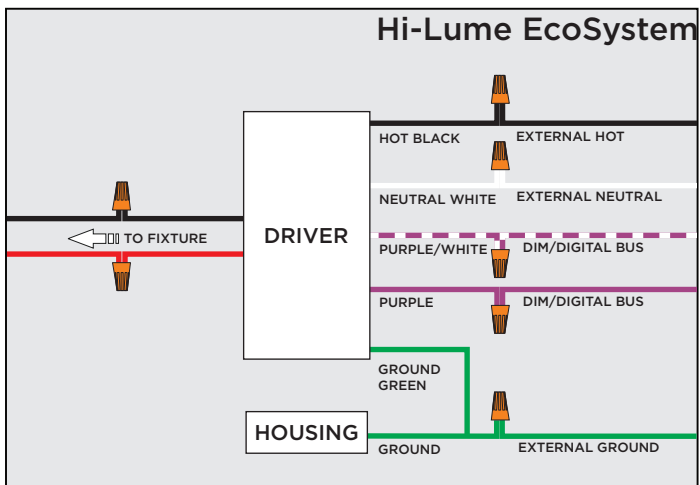
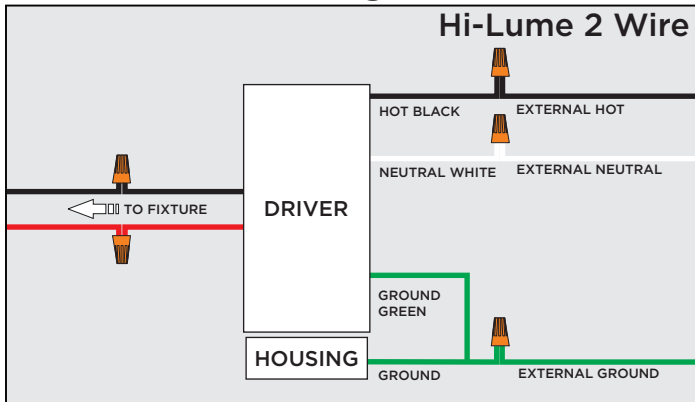


- 2** Mount the Remote Driver junction box in an accessible location.
- 3** Bring power to the Remote Driver junction box.
- 4** Attach the flexible conduit (not included) to the remote driver box and feed the conduit out of the cutout hole.
- 5** Power the driver using the following wiring diagrams according to the driver included in the fixture

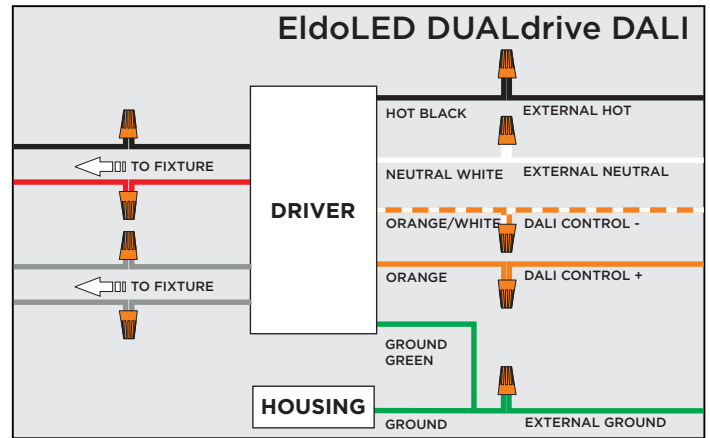
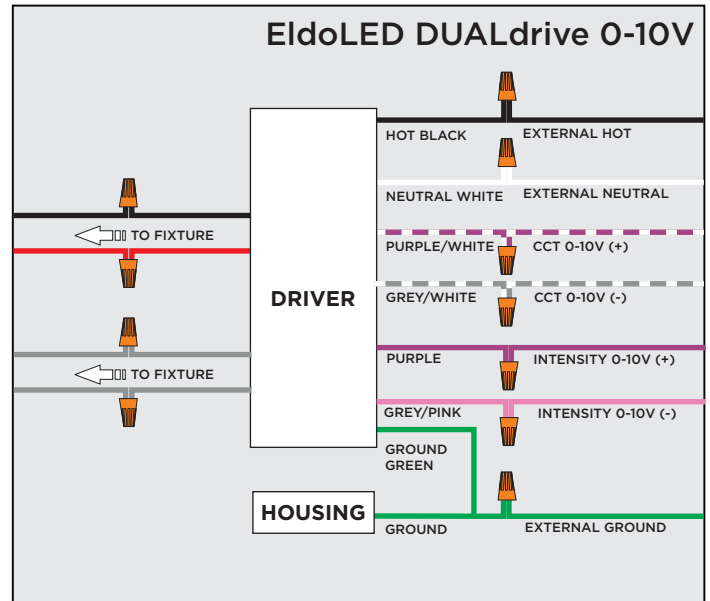
Static White / Warmdim



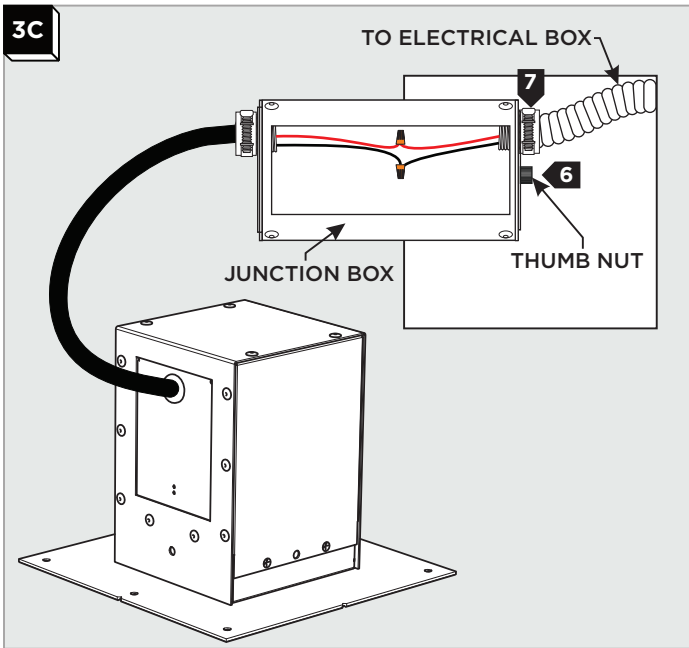
Hi-Lume Driver Wiring



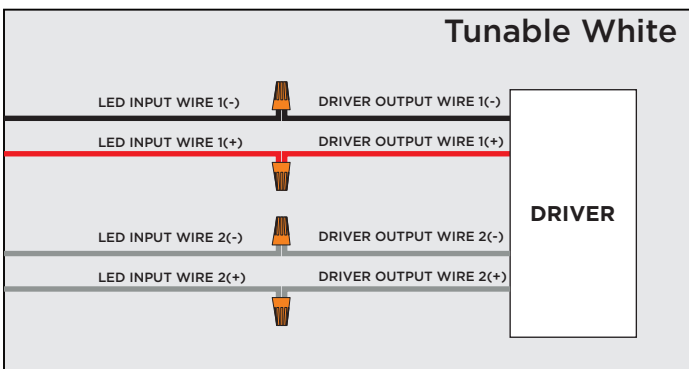
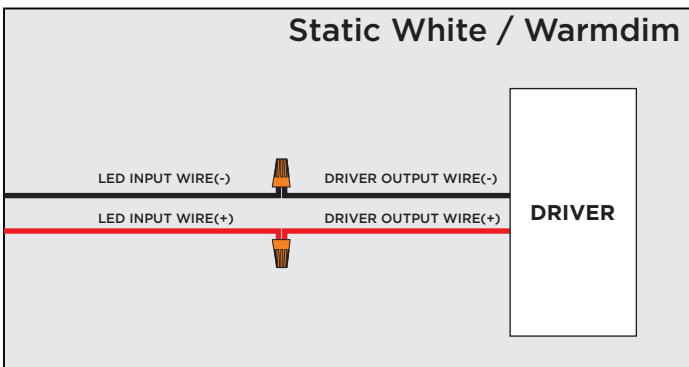
Tunable White



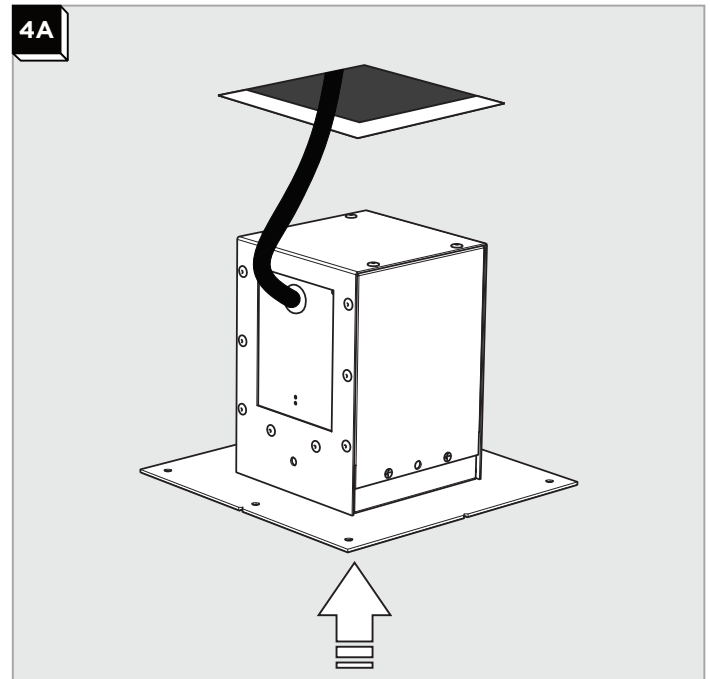
Install the Fixture (Flangeless)



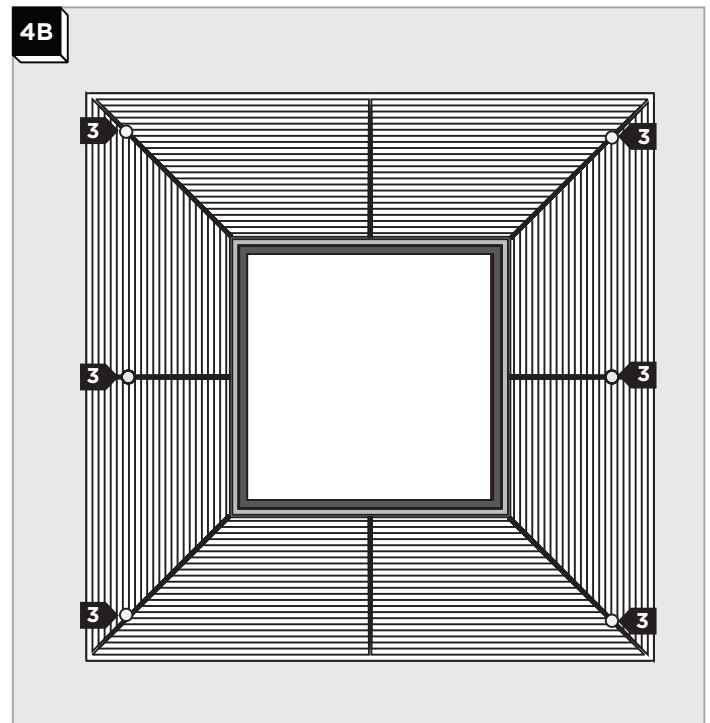
- 6** Loosen the thumbnut and remove the cover from the junction box.
- 7** Attach flexible conduit (installed in section 3B) to the junction box.
- 8** Power the fixture using the following wiring diagrams according to the driver included with the fixture.



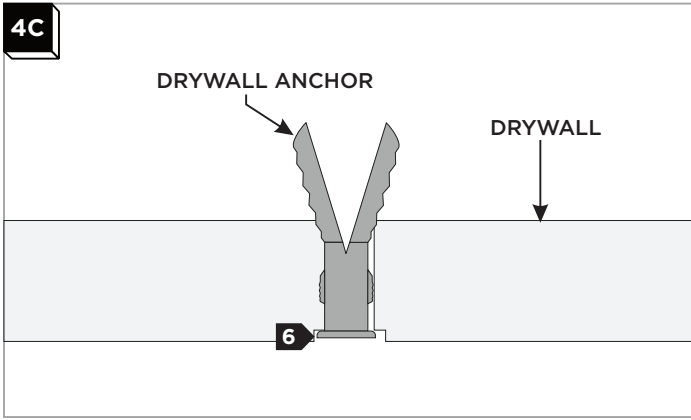
For **Flangeless** installs, skip to **Section 4**
 For **Flanged** installs, skip to **Section 5**



- 1** Place the junction box into the ceiling.
- 2** Slide the housing in the cutout hole in the ceiling.



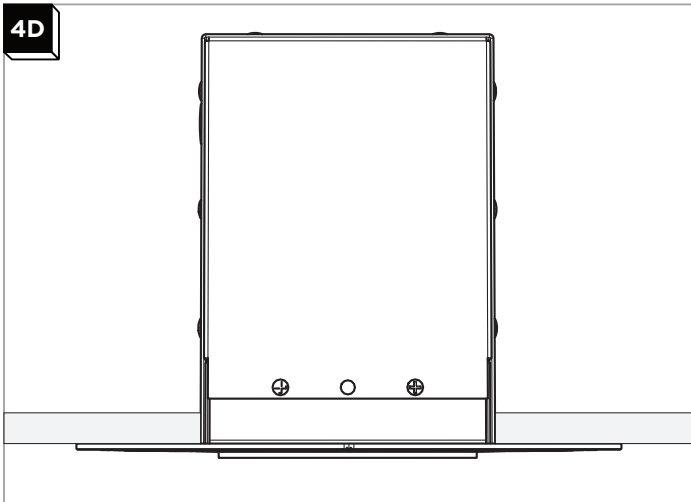
- 3** Use a string or laser to align plaster plate, mark the location of the four anchor points.
- 4** Remove the fixture from the ceiling.



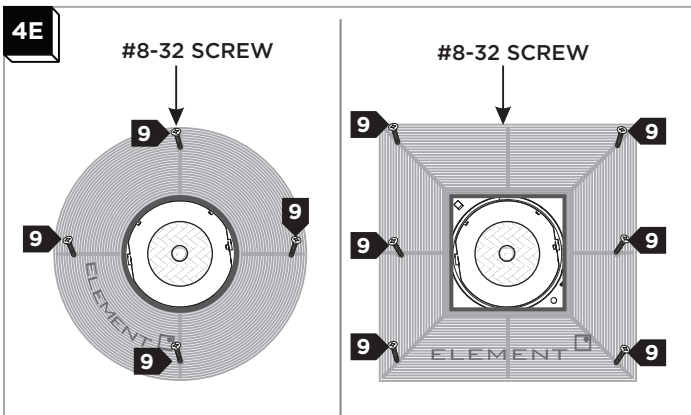
5 Drill a pilot hole for the drywall anchor at the marked locations.

6 Bore out a slight inset to allow for the head of the drywall anchor to recess into the ceiling.

7 Tap drywall anchor into the ceiling.

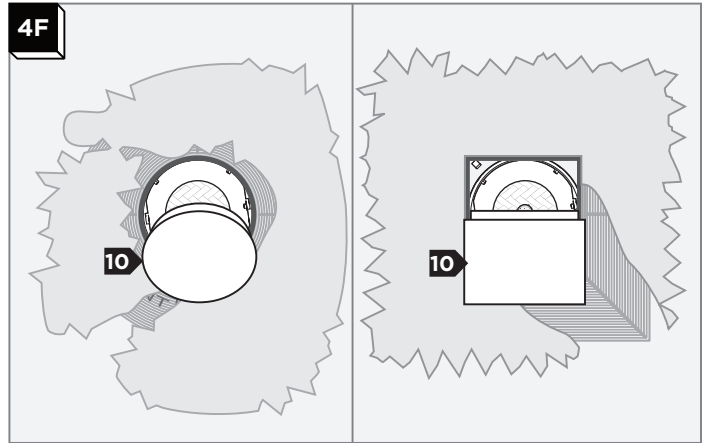


8 Insert the fixture into the ceiling.



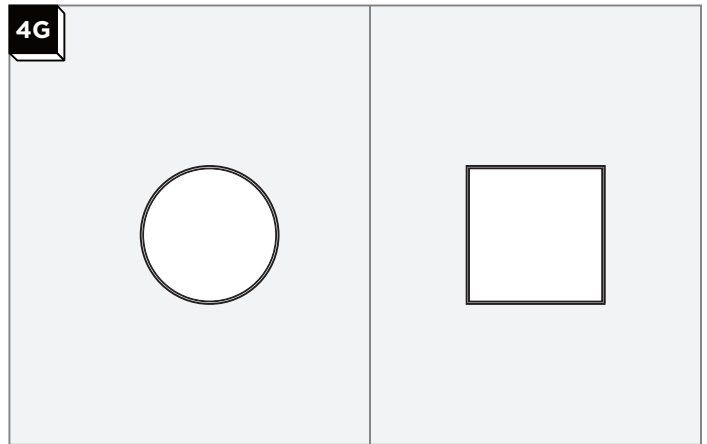
9 Secure the plaster ring in place by screwing the four provided flat head #8-32 screws into the four previously placed drywall anchors.

NOTE: Do not overtighten the screws! Overtightening may bend the plaster ring, causing the plaster surface to come away from the drywall.



10 Plug the trim holder with the provided dust shield.

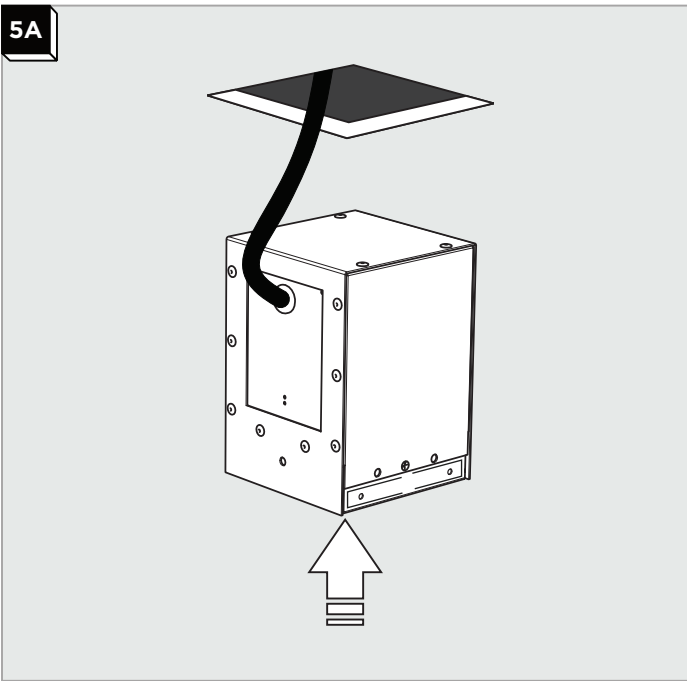
11 Properly plaster onto the plaster ring and drywall.



12 Finish around the trim to match drywall.

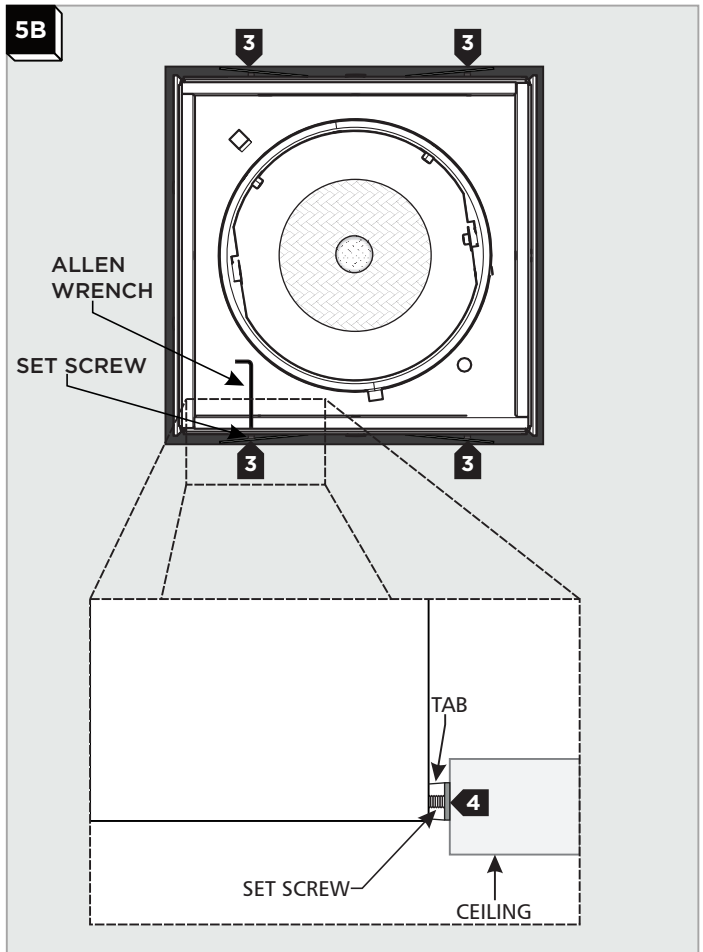
Install the Fixture (Flanged)

5A



- 1 Place the junction box into the ceiling.
- 2 Slide the housing in the cutout hole in the ceiling

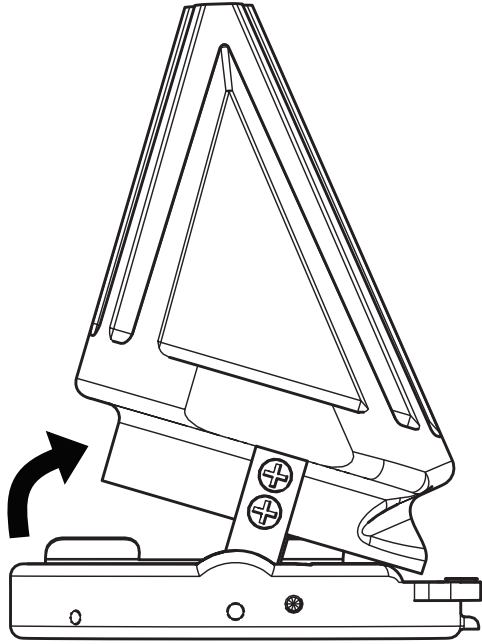
5B



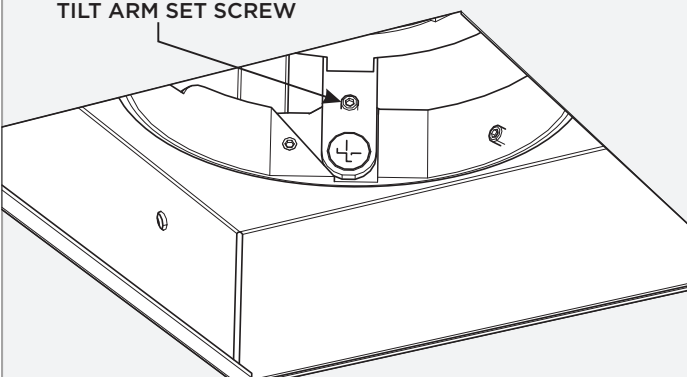
- 3 Secure the housing by screwing in the four set screws until they are flush with the inner wall of the housing. Alternate screws before tightening all the way to ensure housing remains centered in the ceiling cutout.
- 4 Ensure that all the tabs are tightly pushed against the ceiling; securing the housing in place.

Adjust Tilt

6A



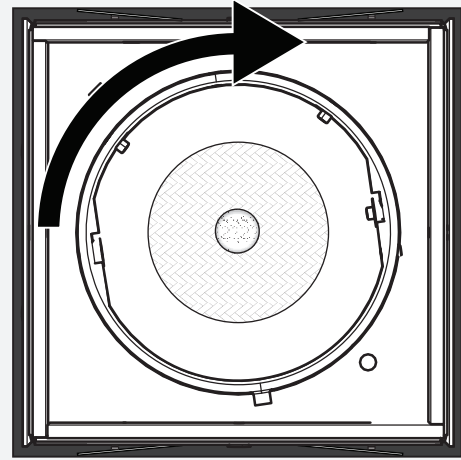
TILT ARM SET SCREW



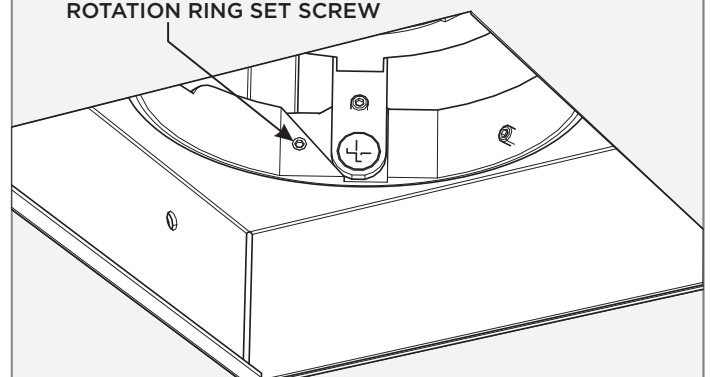
- 1 Tilt the light module to the desired angle.
- 2 Tighten the set screw on the tilt arm to lock in place.

Adjust Rotation

7A

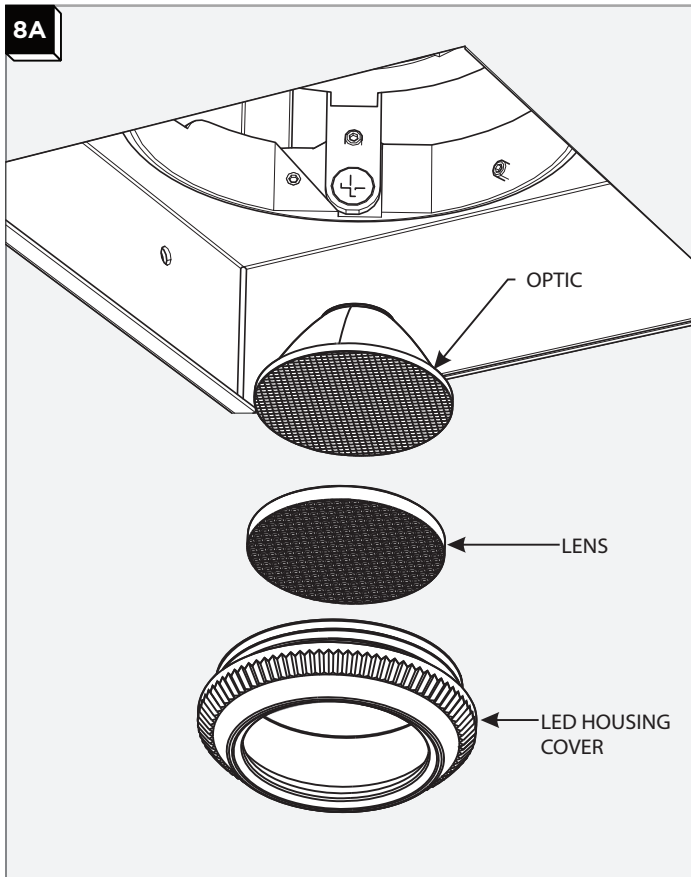


ROTATION RING SET SCREW



- 1 Rotate the light module to aim the light at the desired location.
- 2 Tighten the set screw on the rotation ring to lock in place.

Optics and Lenses



- 1 ➤ Unscrew and remove the LED housing cover.
- 2 ➤ Remove the optic.
- 3 ➤ If installing an optional lens, rest the lens inside the housing cover.
- 4 ➤ Install the optic (replacement or existing) inside the LED housing cover.
- 5 ➤ Screw the LED housing cover back on leaving it less-than-snug. **Stop tightening the moment any resistance is felt. The cover will not sit flush to the**

 **TECH LIGHTING**

7400 Linder Ave., Skokie, IL 60077
T 847.410.4400 | F 847.410.4500
www.techlighting.com