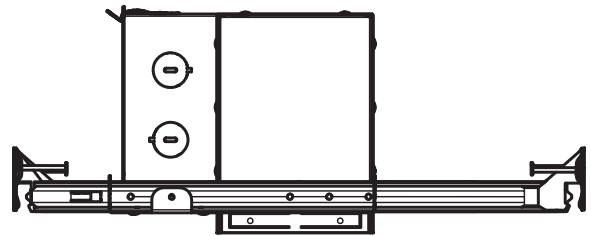


Element 3" LED Adjustable Remodel New Construction Housing IC Rated

E3_-RL_A_NC 1.1



GENERAL PRODUCT INFORMATION:



This product is suitable for indoor locations.

This product is rated for damp locations.

When used with the shower lens this product is rated for wet locations.

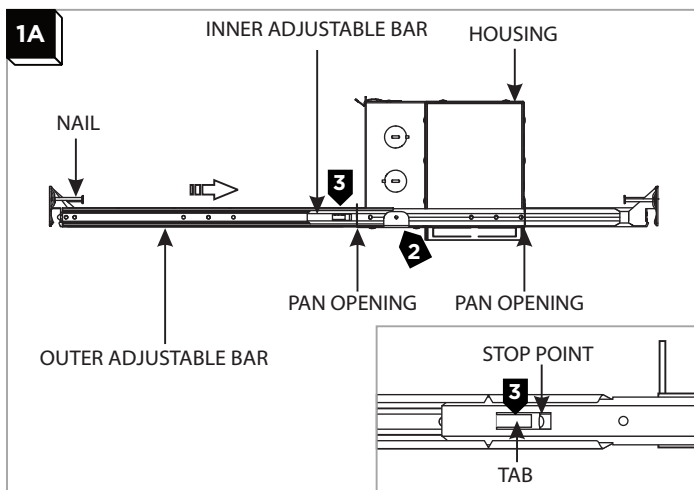
This product can be dimmed with a standard electronic dimmer.

This instruction shows a typical installation.

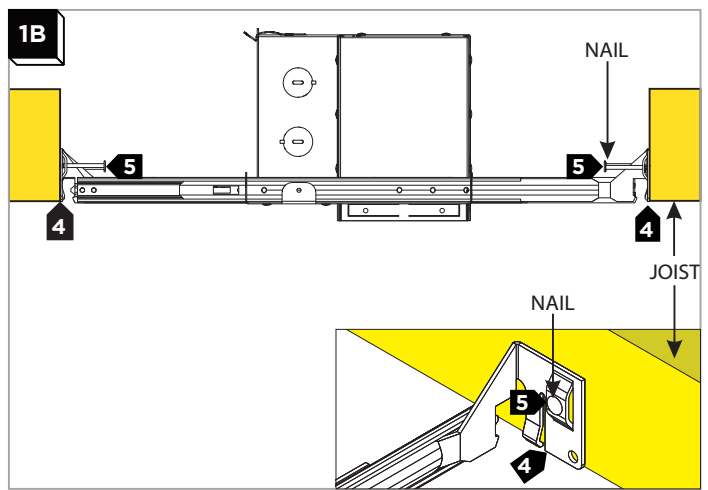
CAUTION - RISK OF FIRE
 This product must be installed in accordance with the applicable installation code by a person familiar with the construction and operation of the product and the hazards involved.
 Use minimum 90°C supply conductors.

SAVE THESE INSTRUCTIONS!

Install the Housing with Adjustable Bars

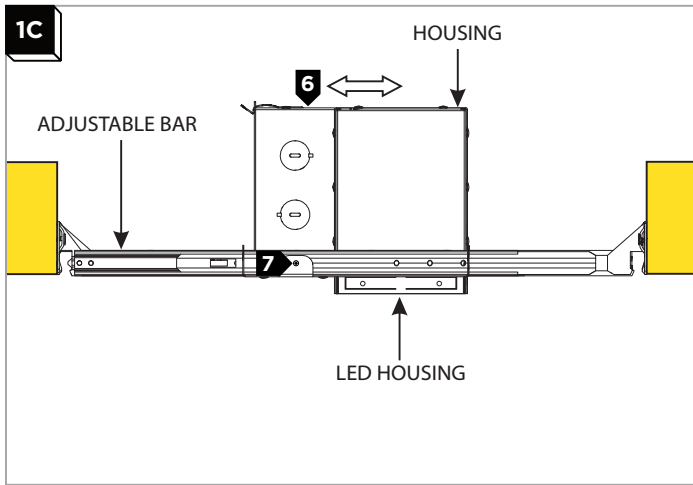


- 1** Slide the inner adjustable bar completely through the pan openings. Make sure the nail is on top.
- 2** Slide and push the outer adjustable bar completely onto the inner adjustable bar so that the tab clicks into place behind the stop point. This will prevent the adjustable bars from coming apart.
- 3** Repeat steps 2 & 3 for the other side of the housing.



NOTE: The adjustable bars can be mounted to joists that are spaced 16" - 24" apart.

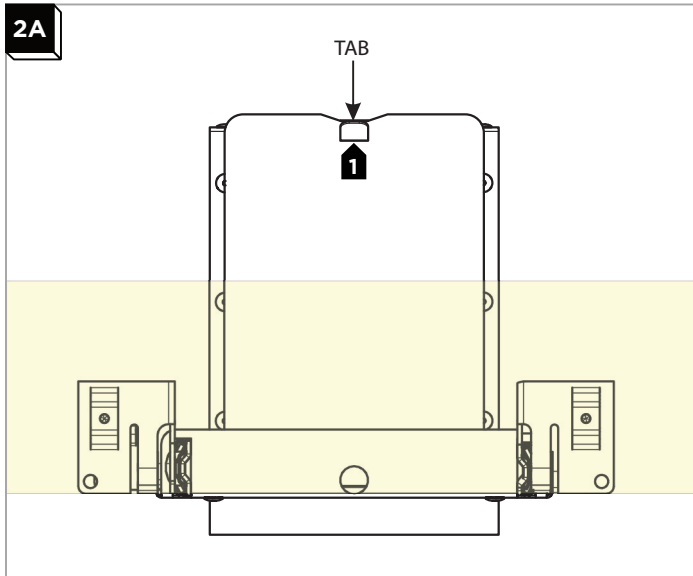
- 4** Align the bottom of the end plates with the bottom of the ceiling joists.
- 5** Level the adjustable bars and, with a hammer, tap the nails completely into the joists to secure the adjustable bars.



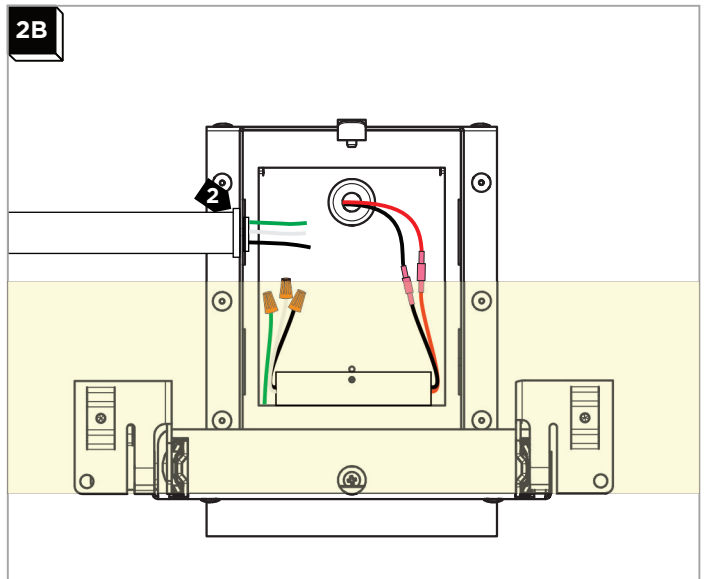
- 6** Adjust the LED housing position (horizontal position) by sliding the housing on adjustable bars.
- 7** When the desired location is achieved, tighten the screws to lock the housing onto the adjustable bars.

For unit with **on-board driver**, go to **Section 2**
 For unit with **remote driver**, go to **Section 3**

On-Board Driver Unit Installation



- 1** Push the tab on the housing electrical box up and remove the electrical box cover.

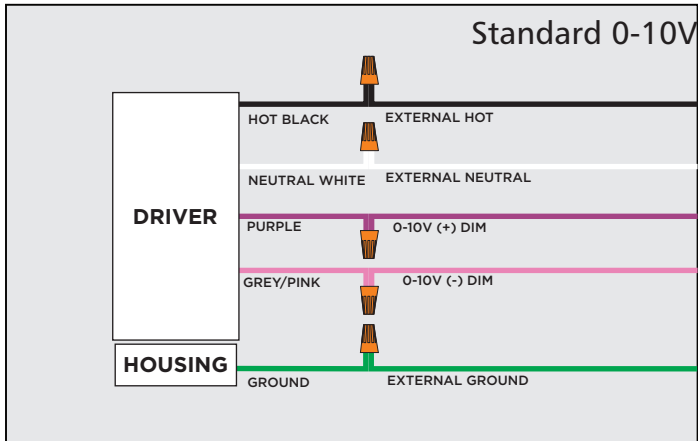
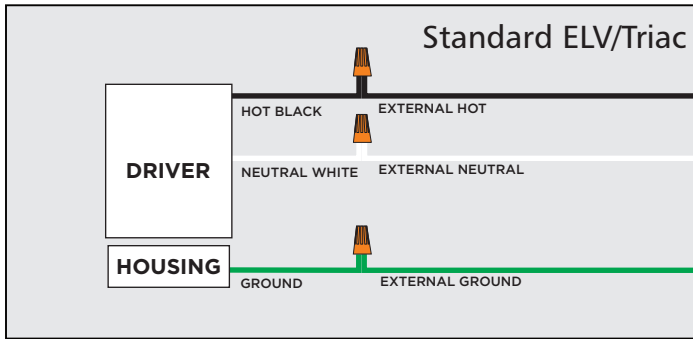


- 2** Install the conduit to the housing electrical box.
- 3** Run the power line wires into the housing electrical box.
- 4** Use the appropriate wiring diagram on the following page to wire your fixture accordingly.

NOTE: When a fixture is installed in a location that requires servicing from below the ceiling through the fixture aperture, the branch circuit connections need to be able to be brought out through the aperture. To accomplish this, an NM type cable in conjunction with snap-in/push-in connectors must be used and a 12" service loop must be left available outside of the fixture housing wiring compartment to allow additional branch circuit wiring to be pulled through the snap-in/push-in connector and extended out through the aperture below ceiling level.

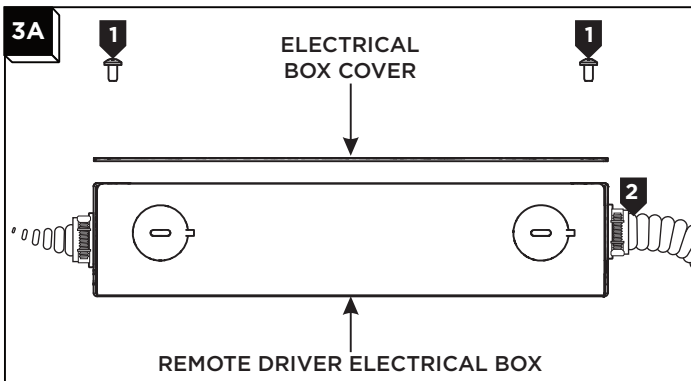
WARNING: RISK OF FIRE: When using the housing electrical box for power feed through, use **MAX** 4 - #12 AWG, or 6 - #14 AWG branch circuit wires.

Wiring Diagrams (On-Board Drivers)

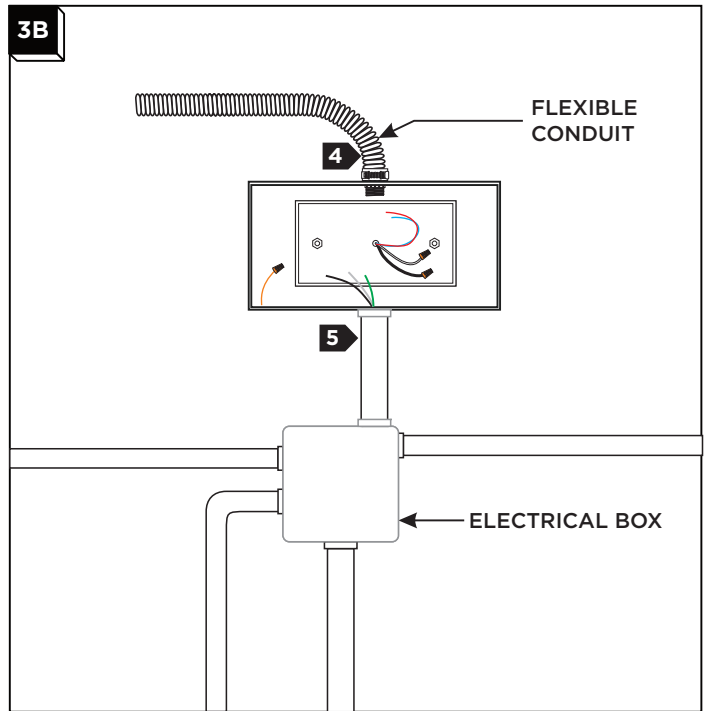


Skip to **Section 4**

Remote Driver Unit Installation



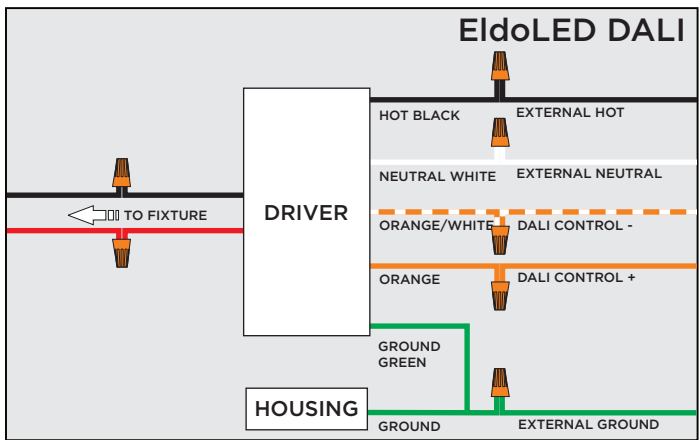
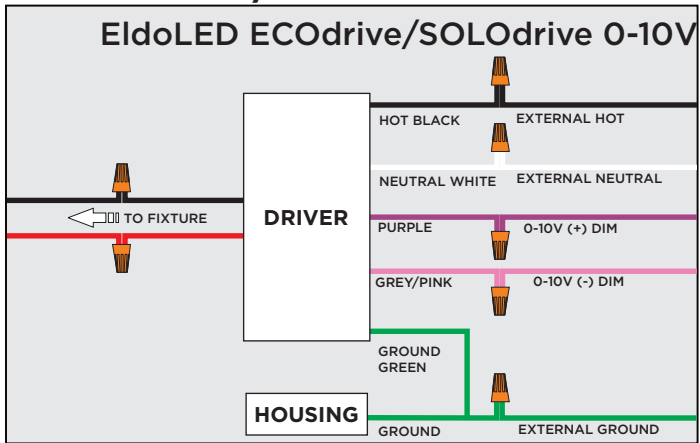
- 1 Open remote driver junction box by removing 2 screws.



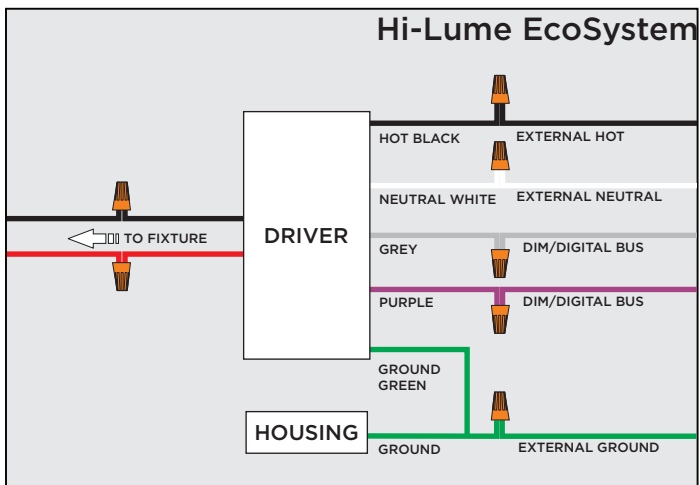
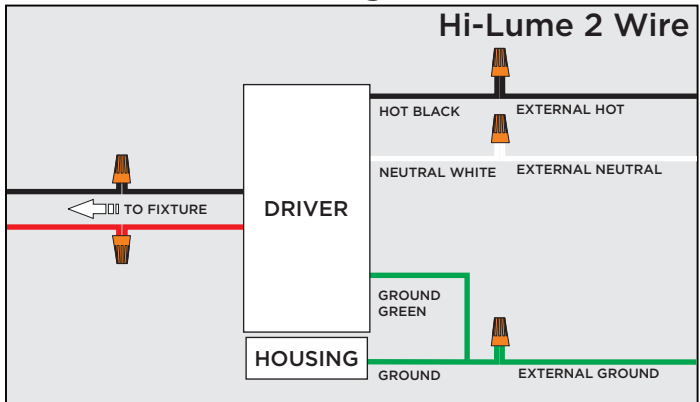
- 2 Mount the Remote Driver junction box in an accessible location.
- 3 Bring power to the Remote Driver junction box.
- 4 Attach the flexible conduit (not included) to the remote driver box and feed the conduit out of the cutout hole.
- 5 Power the driver using the following wiring diagrams according to the driver included in the fixture

WARNING: RISK OF FIRE: When using the housing electrical box for power feed through, use **MAX** 4 - #12 AWG, or 6 - #14 AWG branch circuit wires.

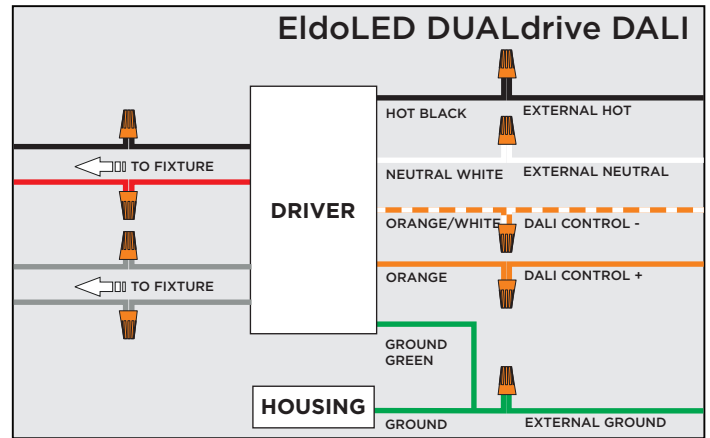
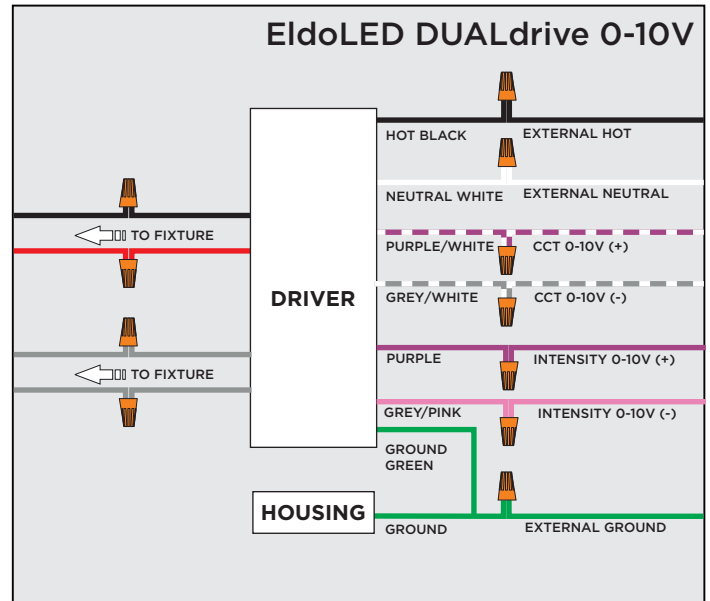
Static White / Warmdim

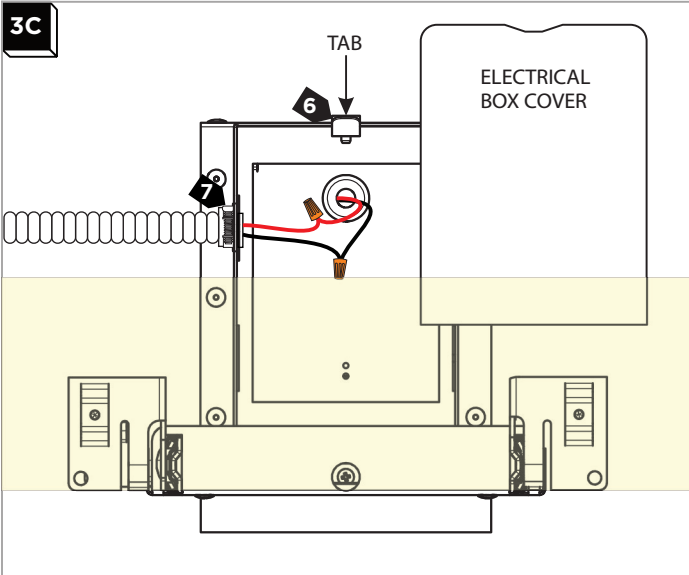


Hi-Lume Driver Wiring

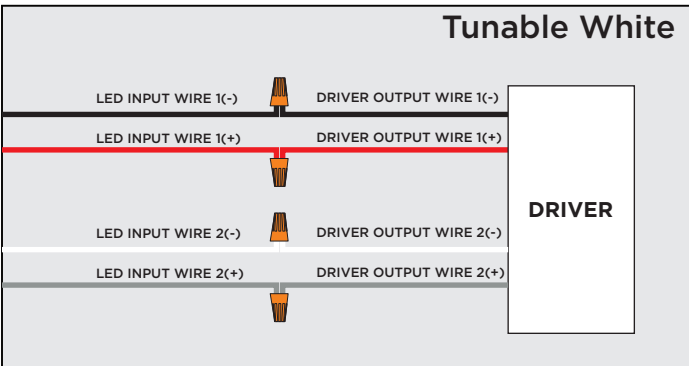
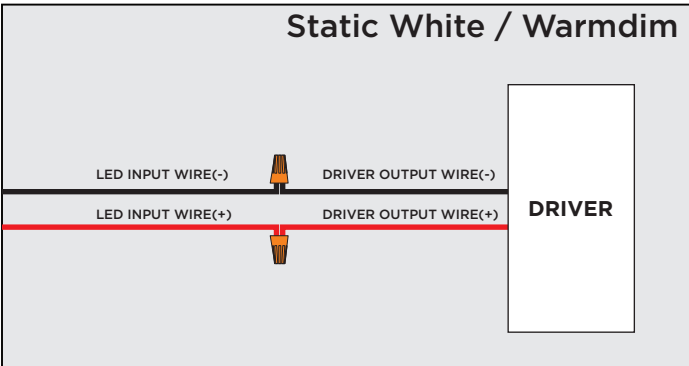


Tunable White

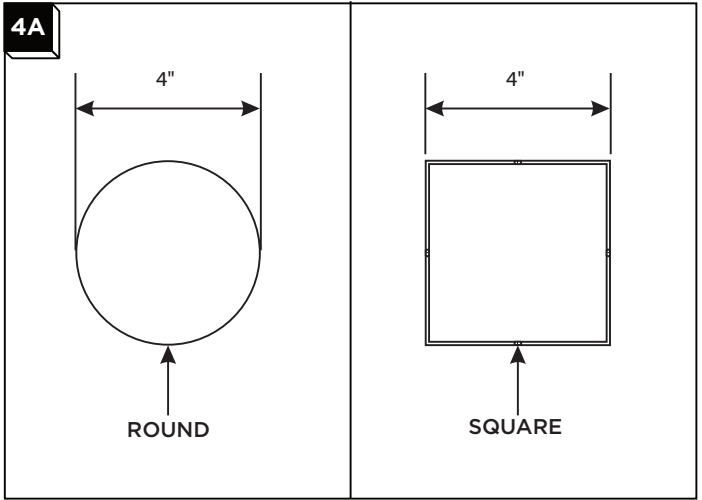




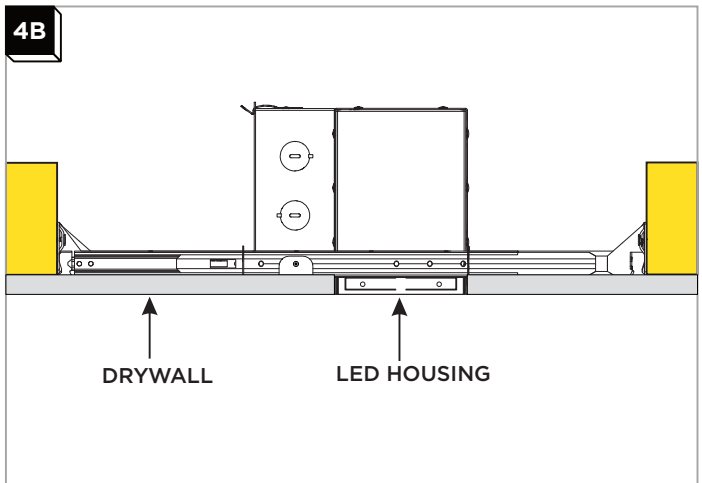
- 6** Push the tab on the housing electrical box up and remove the electrical box cover.
- 7** Attach flexible conduit (installed in section 3B) to the junction box.
- 8** Power the fixture using the following wiring diagrams according to the driver included with the fixture.



Install Drywall



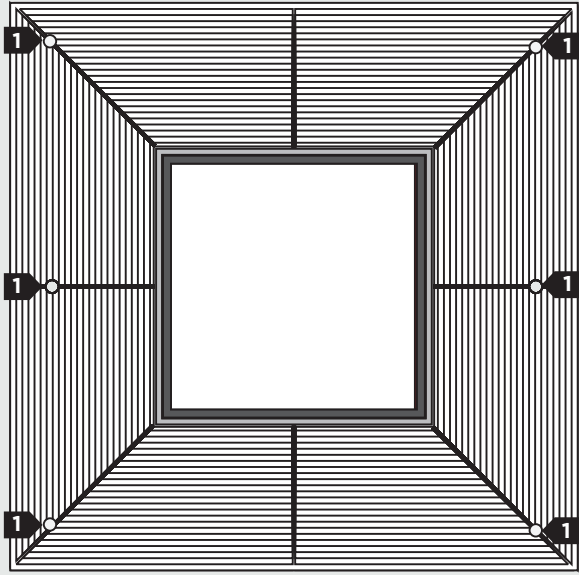
- 1** Mark an appropriate sized diameter circle or square on drywall. Cut out the marked section. **Note:** The drywall may be cut by running a 1/8" RotoZip around the outside of the collar.



- 2** Align the cut out section of drywall with the LED housing and install drywall.

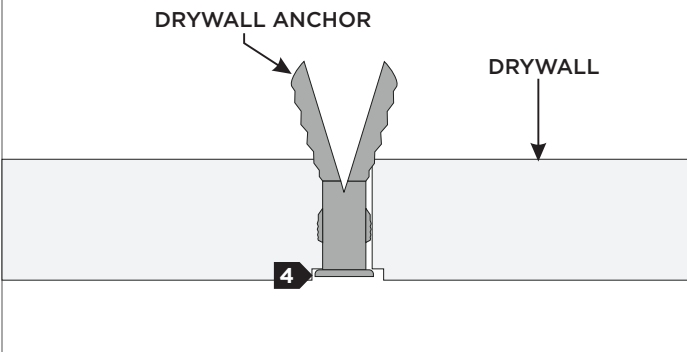
Install the Plaster Ring (Flangeless Version Only)

5A



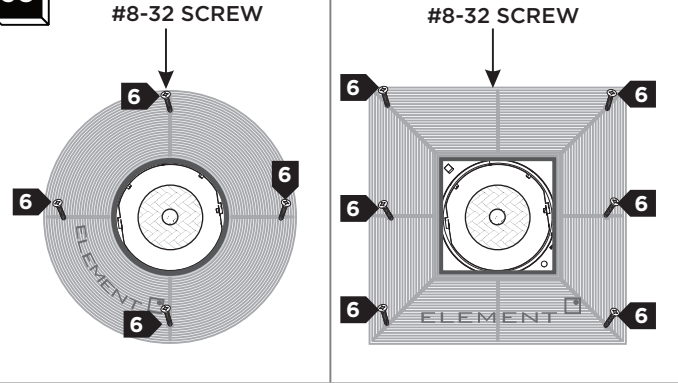
- 1 Use a string or laser to align plaster plate, mark the location of the four anchor points.
- 2 Remove the fixture from the ceiling.

5B



- 3 Drill a pilot hole for the drywall anchor at the marked locations.
- 4 Bore out a slight inset to allow for the head of the drywall anchor to recess into the ceiling.
- 5 Tap drywall anchor into the ceiling.

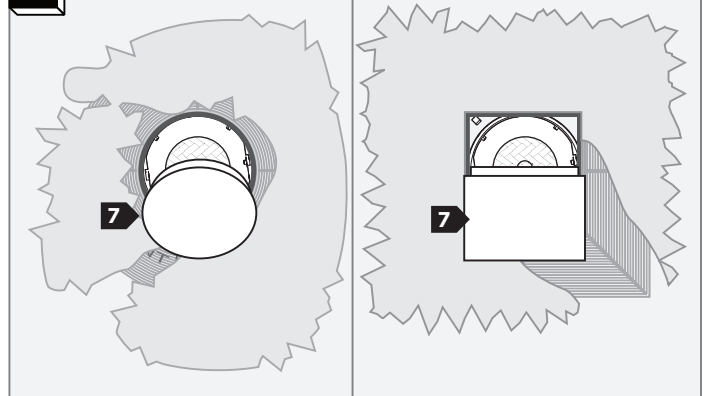
5C



- 6 Insert the plaster plate into the housing and secure it in place by screwing the provided flat head #8-32 screws into the previously placed drywall anchors.

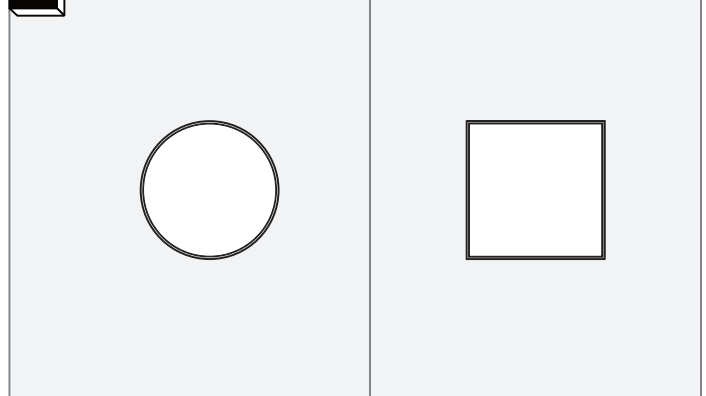
NOTE: Do not overtighten the screws! Overtightening may bend the plaster ring, causing the plaster surface to come away from the drywall.

5D



- 7 Plug the trim holder with the provided dust shield.
- 8 Properly plaster onto the plaster ring and drywall.

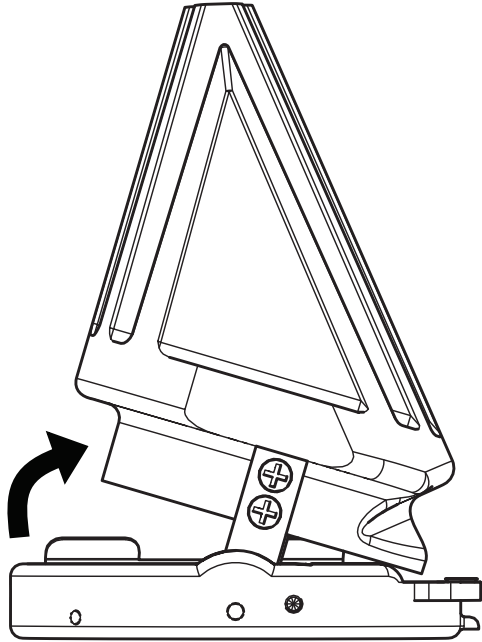
5E



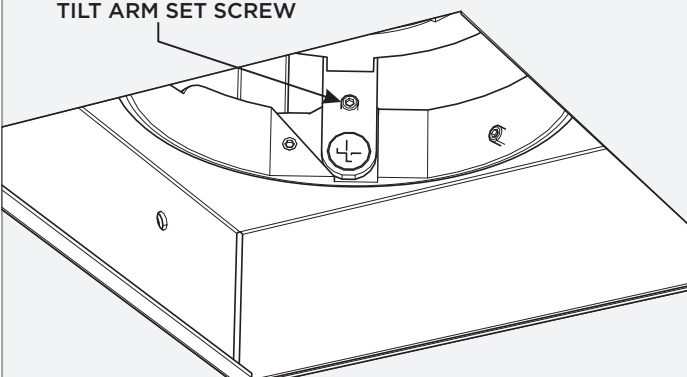
- 9 Finish around the trim to match drywall.

Adjust Tilt

6A



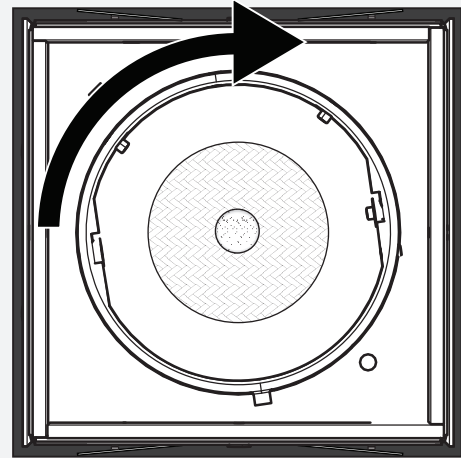
TILT ARM SET SCREW



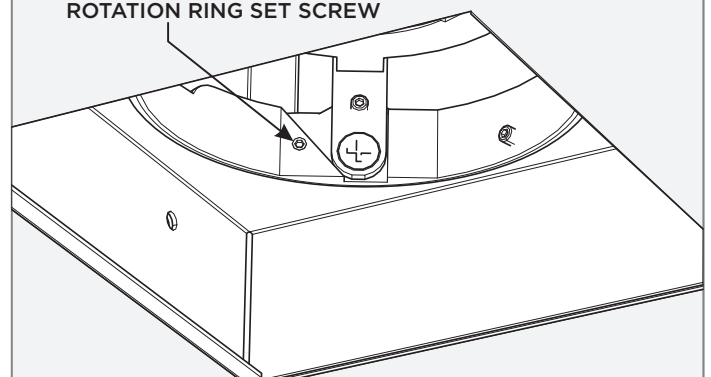
- 1 Tilt the light module to the desired angle.
- 2 Tighten the set screw on the tilt arm to lock in place.

Adjust Rotation

7A

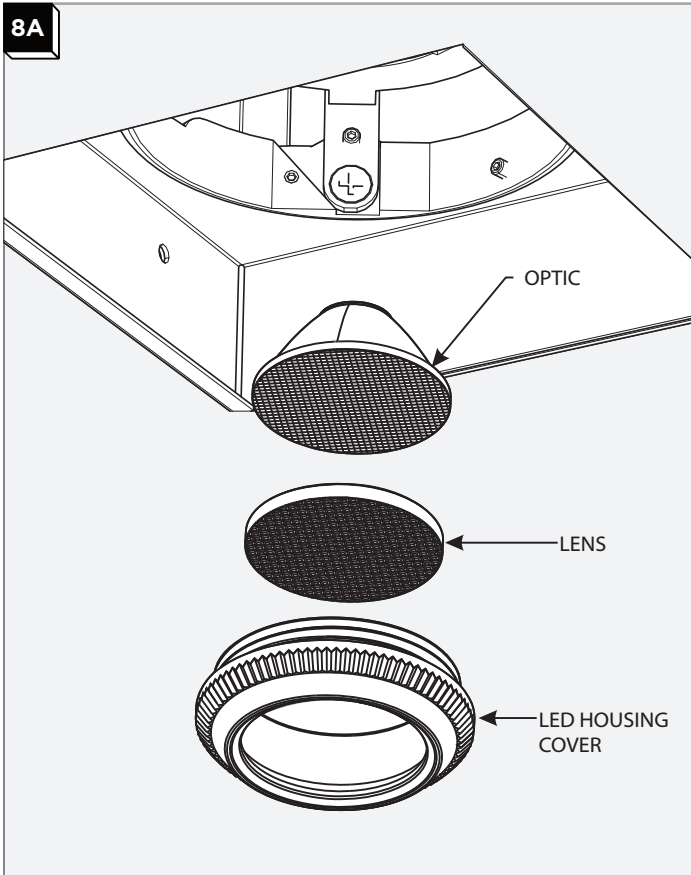


ROTATION RING SET SCREW



- 1 Rotate the light module to aim the light at the desired location.
- 2 Tighten the set screw on the rotation ring to lock in place.

Optics and Lenses



- 1 ➤ Unscrew and remove the LED housing cover.
- 2 ➤ Remove the optic.
- 3 ➤ If installing an optional lens, rest the lens inside the housing cover.
- 4 ➤ Install the optic (replacement or existing) inside the LED housing cover.
- 5 ➤ Screw the LED housing cover back on leaving it less-than-snug. **Stop tightening the moment any resistance is felt. The cover will not sit flush to the base when using lenses.** Do not try to force the cover to become flush.

 **TECH LIGHTING**

7400 Linder Ave., Skokie, IL 60077
T 847.410.4400 | F 847.410.4500
www.techlighting.com