

# Round or Square Chicago Plenum Down Light Housing with LED Lamp

E3\_L\_DC

1.2

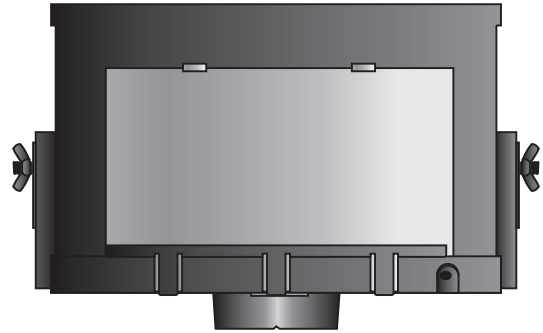


## GENERAL PRODUCT INFORMATION:

This product is suitable for indoor locations.

This product can be dimmed with a standard electronic dimmer.

This instruction shows a typical installation.

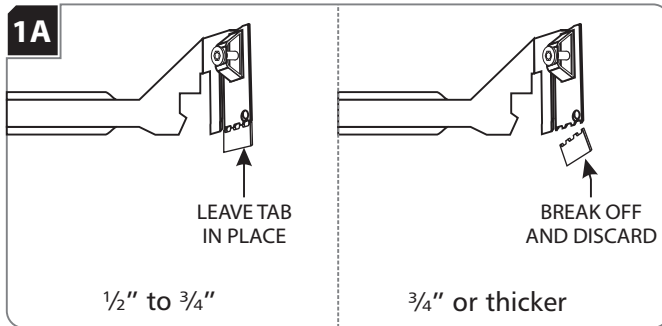


### CAUTION - RISK OF FIRE

This product must be installed in accordance with the applicable installation code by a person familiar with the construction and operation of the product and the hazards involved.

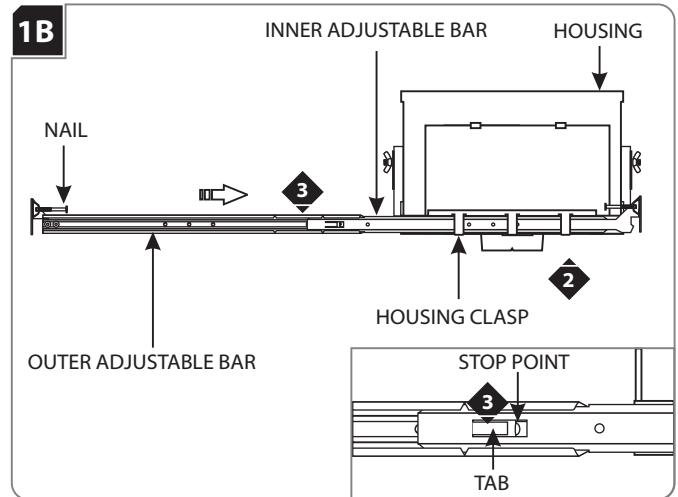
Use minimum 90°C supply conductors.

## Install the Housing with Adjustable Bars

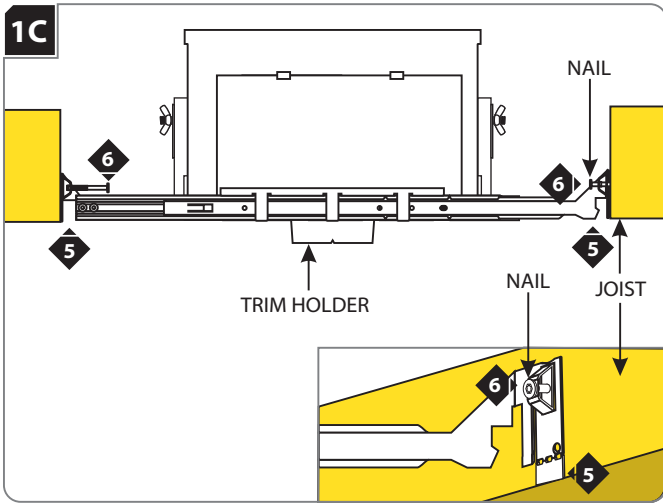


**NOTE:** Skip this section if installing the housing with butterfly brackets.

- 1 **Keep Tab for ceiling 1/2" to 3/4" thick.**  
When using adjustable hanger bars with 1/2" to 3/4" thick ceilings, leave the tab of the hanger bars in place.  
**Break off Tab for ceiling 3/4" or thicker.**  
When using adjustable hanger bars with 3/4" or thicker ceilings, remove the tab by bending it at the perforation.

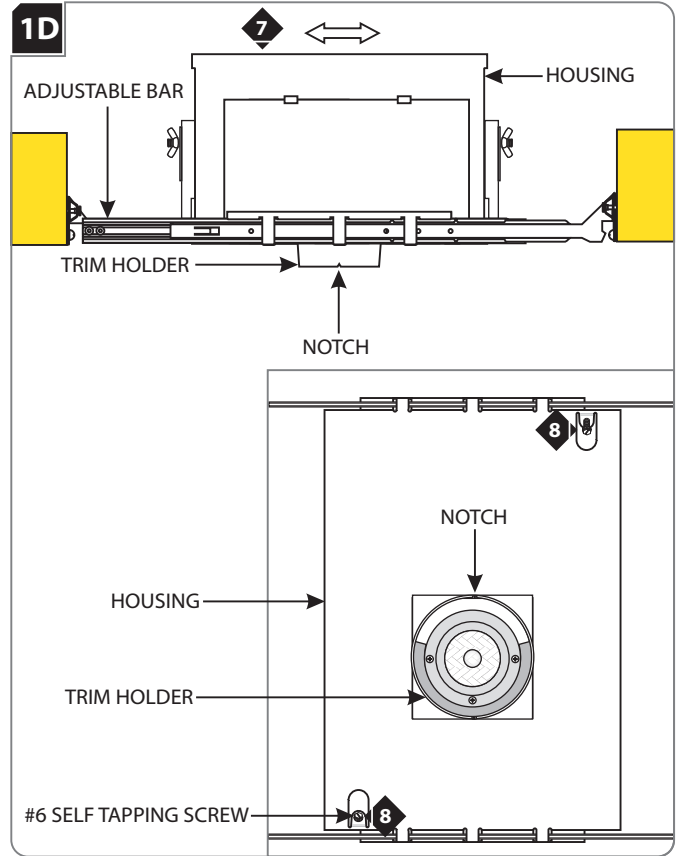


- 2 Slide the inner adjustable bar completely through the three housing clasps. Make sure the nail is on top.
- 3 Slide and push the outer adjustable bar completely onto the inner adjustable bar so that the tab clicks into place behind the stop point. This will prevent the adjustable bars from coming apart.
- 4 Repeat steps 2 & 3 for the other side of the housing.



**NOTE:** The adjustable bars can be mounted to joists that are spaced 16" - 24" apart.

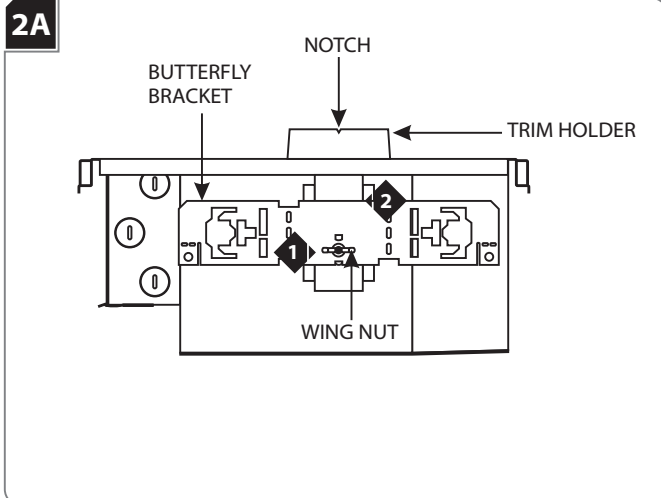
- 5 Align the bottom of the end plates with the bottom of the ceiling joists.
- 6 Level the adjustable bars and, with a hammer, tap the nails completely into the joists to secure the adjustable bars in place.



- 7 Adjust the trim holder position (horizontal position) by sliding the housing on adjustable bars.
- 8 When the desired location is achieved, tighten the two #6 self tapping screws to lock the housing onto the adjustable bars.

**TIP:** Notches in trim holder can be used to align multiple housings using a laser or string.

## Install the Housing with Butterfly Brackets

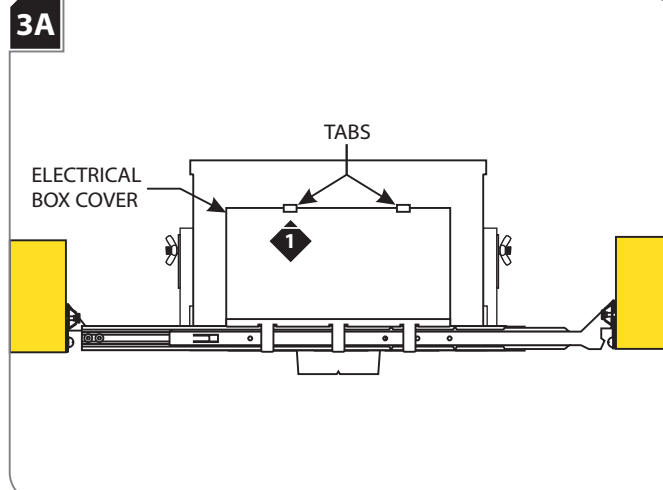


**NOTE:** Skip to page 3 if installing the housing with adjustable bars.

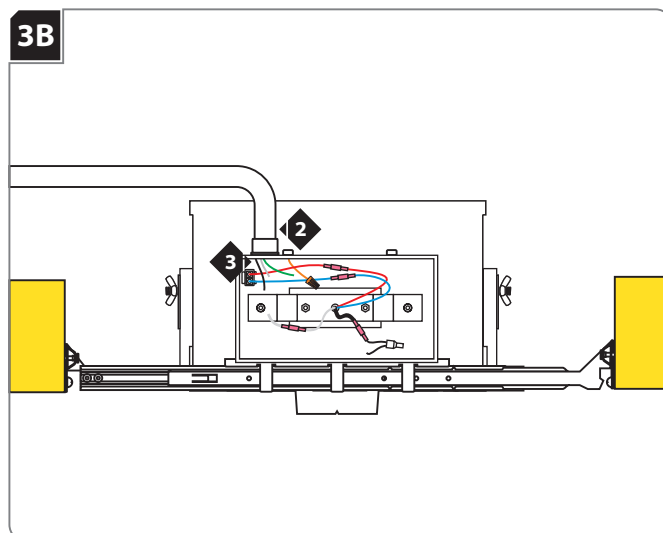
- 1 Slightly loosen the wing nut to slide the butterfly bracket up or down.
- 2 After achieving the proper location, tighten the wing nut to secure the butterfly bracket in place.
- 3 Repeat steps 1 and 2 on for the other butterfly bracket.
- 4 Utilize the butterfly brackets to install the housing in accordance with local electrical codes.

**TIP:** Notches in trim holder can be used to align multiple housings using a laser or string.

## Connect Power to the Housing



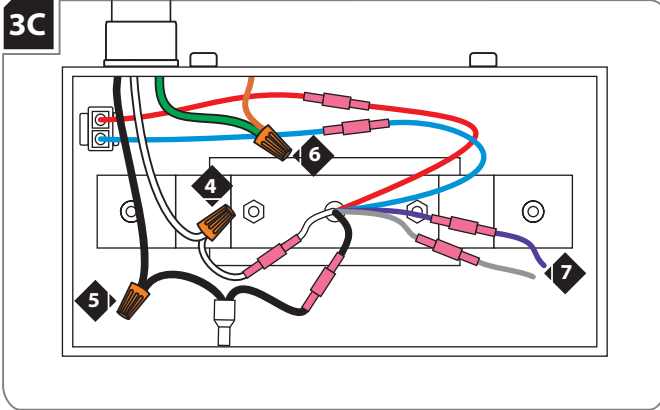
- 1 Push up on the tabs on the electrical box and remove the electrical box cover.



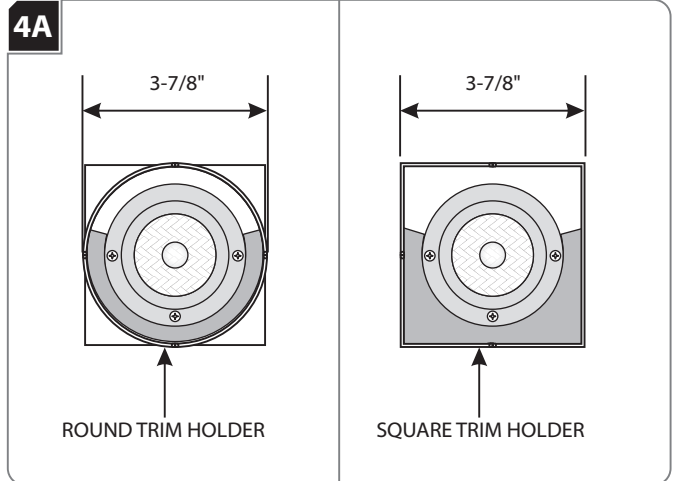
- 2 Install the conduit to the housing electrical box.
- 3 Run the power line wires into the housing electrical box.

**NOTE:** When a fixture is installed in a location that requires servicing from below the ceiling through the fixture aperture, the branch circuit connections need to be able to be brought out through the aperture. To accomplish this, an NM type cable in conjunction with snap-in/push-in connectors must be used and a 12" service loop must be left available outside of the fixture housing wiring compartment to allow additional branch circuit wiring to be pulled through the snap-in/push-in connector and extended out through the aperture below ceiling level.

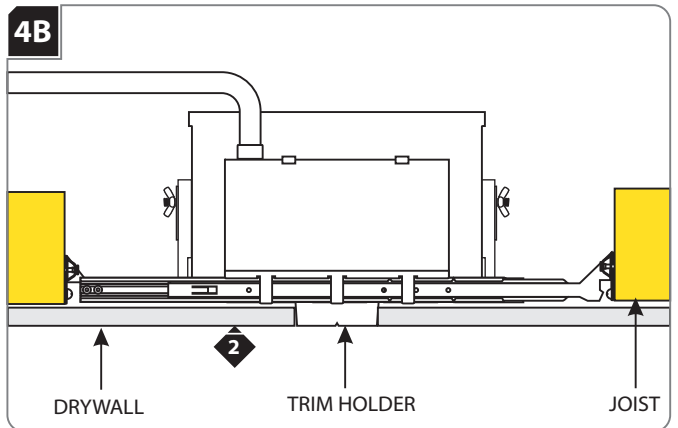
## Install Drywall



- 4 Connect the neutral power line wire to the white transformer wire with a wire nut.
- 5 Connect the hot power line wire to the black thermal protector wire with a wire nut.
- 6 Make sure that housing is grounded in accordance with local electrical codes.
- 7 For models with a 0-10V dimming driver, use the purple and grey wire to connect to a compatible dimmer.
- 8 Replace the electrical box cover. Make sure that the top edge of the cover snaps under the tab.

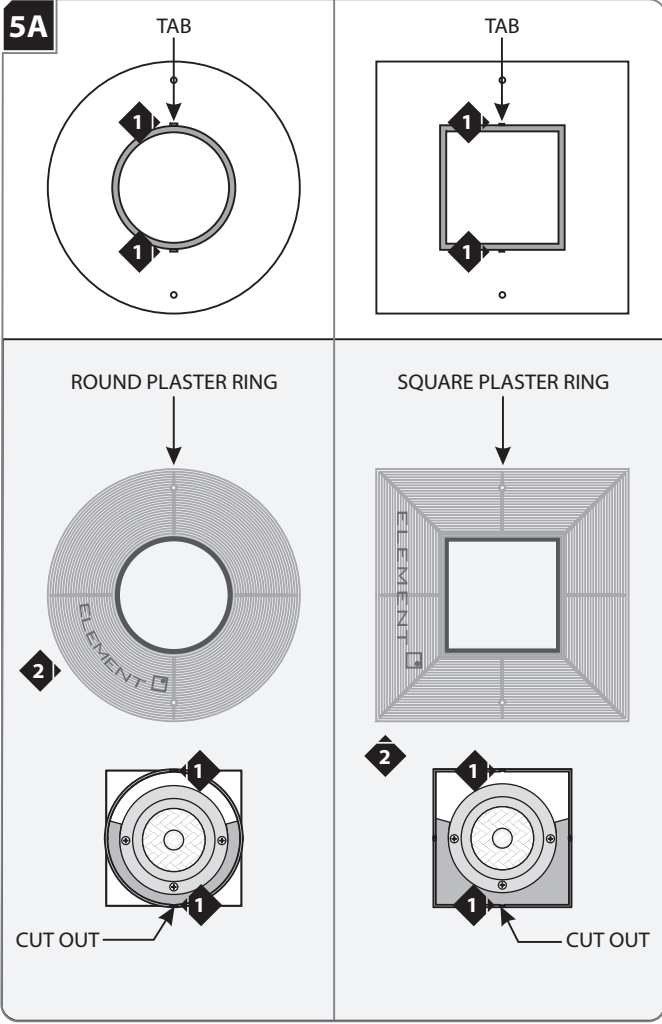


- 1 For round trims, mark a 3-7/8" diameter circle on drywall. Cut out the marked section.  
For square trims, mark a 3-7/8" square on drywall. Cut out the marked section.

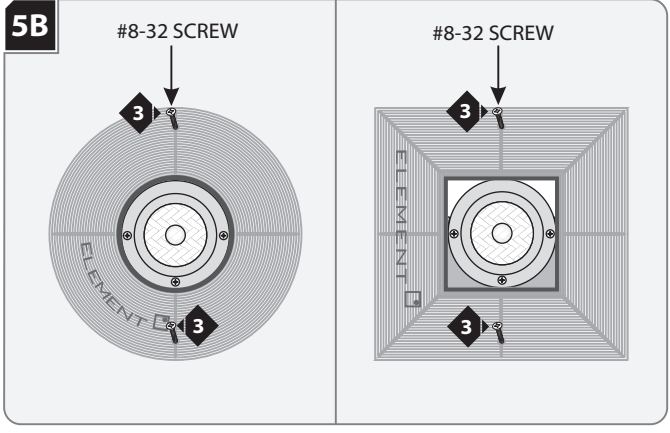


- 2 Align the cut out section of drywall with the trim holder and install drywall.

# Install Plaster Ring (For Flangeless Versions)

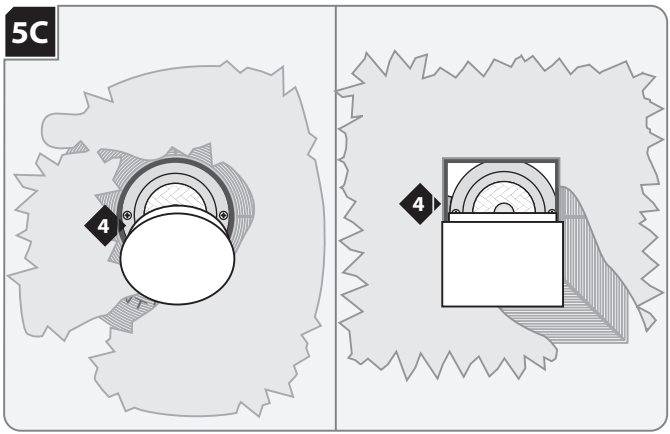


- 1 Line up the two tabs in back of the plaster ring with the two cut out sections of the trim holder inside edge.
- 2 Push the plaster ring tabs into the cut out sections of the trim holder edge.

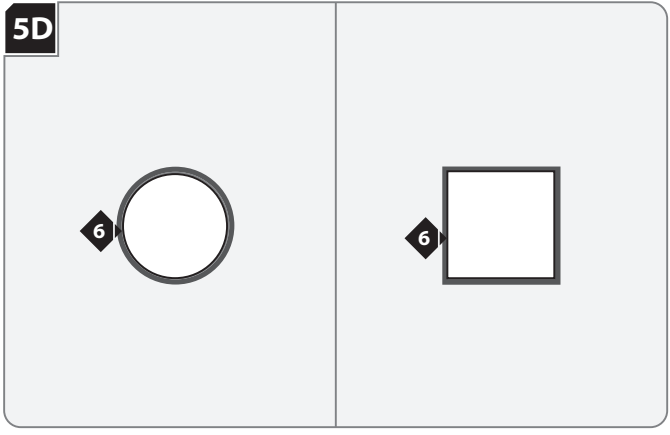


- 3 Secure the plaster ring in place with the two provided flat head #8-32 screws. Make sure that the screws penetrate through the drywall into the housing screw holes.

**NOTE:** Do not overtighten the screws! Overtightening may bend the plaster ring, causing the plaster surface to come away from the drywall.



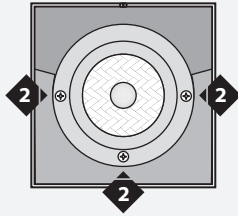
- 4 Plug the trim holder with the provided dust shield.
- 5 Properly plaster onto the plaster ring and drywall.



- 6 Finish around the trim to match drywall.

# Replacing the Lamp

6A

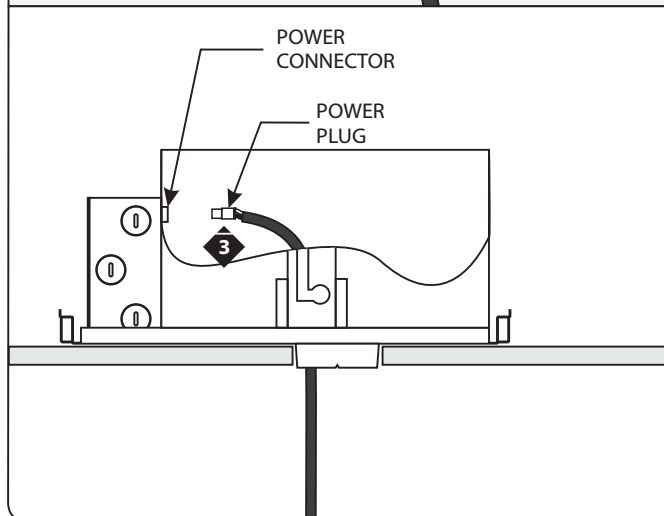
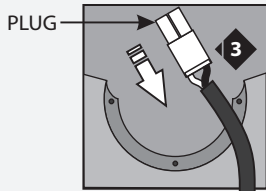


**CAUTION:** To reduce the risk of a burn or electric shock during relamping, disconnect the power to the fixture.

- 1 Remove the trim from the fixture.
- 2 Loosen all three screws from the lamp assembly and lower the lamp assembly.

6B

CONNECTOR (INSIDE)

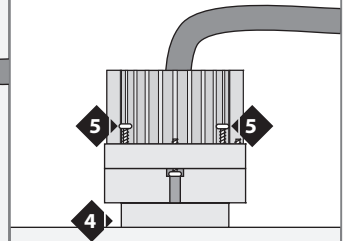


- 3 Disconnect the lamp power plug from the connector inside the housing on the electrical box side.

6C



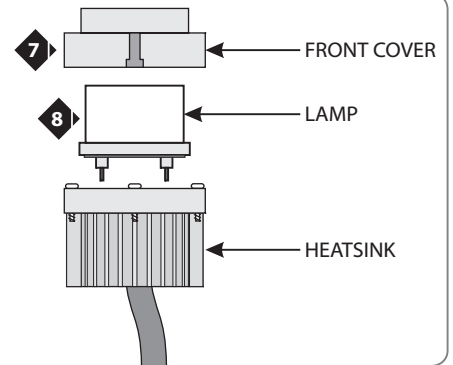
BACK VIEW



SIDE VIEW

- 4 Place the lamp assembly on a clean, flat surface with the lamp side down.
- 5 Loosen and remove all four screws on the back of the lamp assembly and set them aside.

6D



- 6 Hold the lamp assembly together and flip it over.
- 7 Lift the front cover off.
- 8 Pull the old lamp out.

Use **ONLY 18 WATT** proprietary Element Lighting LED lamp.



- 9 Peel the liner off the thermal pad on the new lamp.
- 10 Line up the square and round pegs in the new lamp with the holes in the heatsink and push the new lamp into place.
- 11 Replace the front cover.
- 12 Place the lamp assembly on a clean, flat surface with the lamp side down and reinstall the 4 screws into the back.
- 13 Reconnect the power plug and reinstall the lamp assembly into the housing.
- 14 Reinstall the trim.

# NOTES

**SAVE THESE INSTRUCTIONS!**

**ELEMENT**  
a brand of **TECH LIGHTING**

7400 Linder Ave.  
Skokie, IL 60077  
847.410.4400

**[www.element-lighting.com](http://www.element-lighting.com)**

© 2019 Tech Lighting, L.L.C. All rights reserved. The "Element" graphic is a registered trademark of Element. Element reserves the right to change specifications for product improvements without notification.