

# E3 Flanged Trims

1.0



ELEMENT

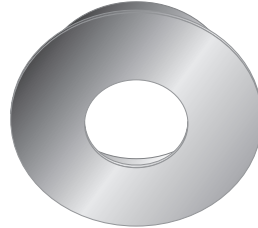
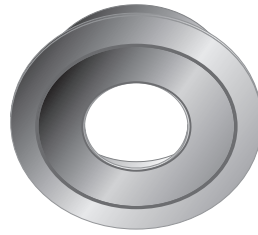
GENERAL PRODUCT INFORMATION:



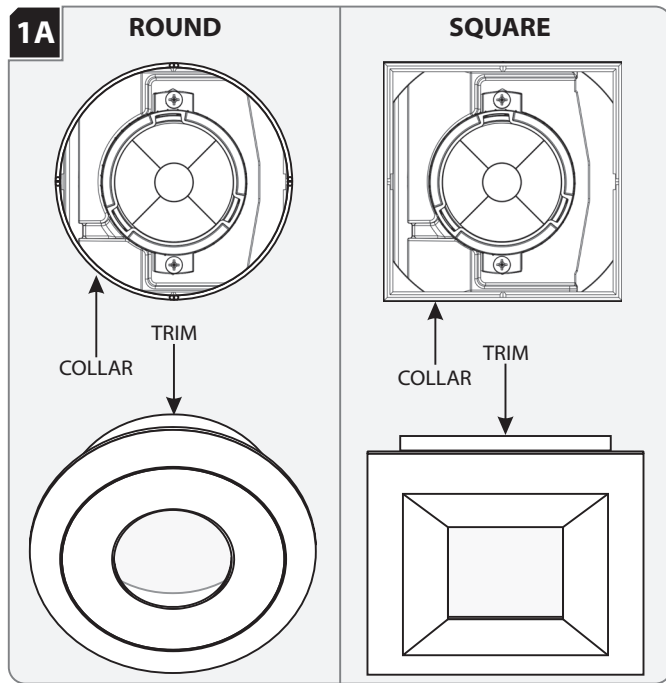
This product is suitable for indoor locations.

This instruction shows a typical installation.

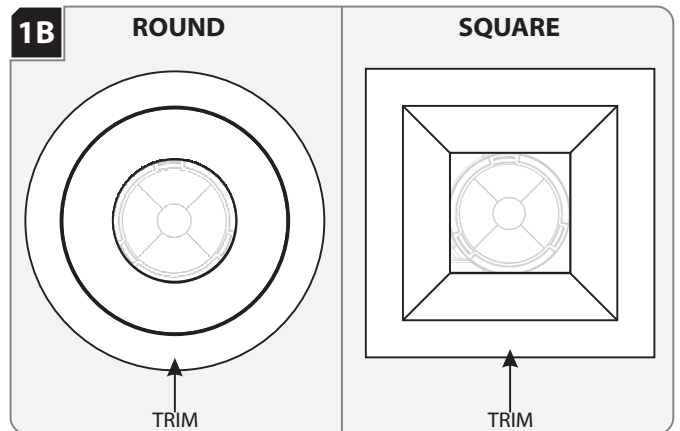
**SAVE THESE INSTRUCTIONS!**



## Install the Trim



**1** Align the trim with the inner edge of the collar.



**2** Push the trim into the collar until it snaps into the collar walls.



7400 Linder Ave., Skokie, IL 60077  
T 847.410.4400 | F 847.410.4500  
www.techlighting.com