

E3 Flangless Trims

1.0

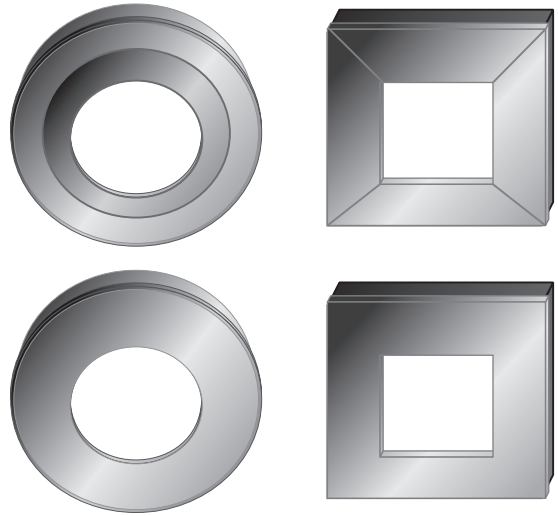


GENERAL PRODUCT INFORMATION:

This product is suitable for indoor locations.

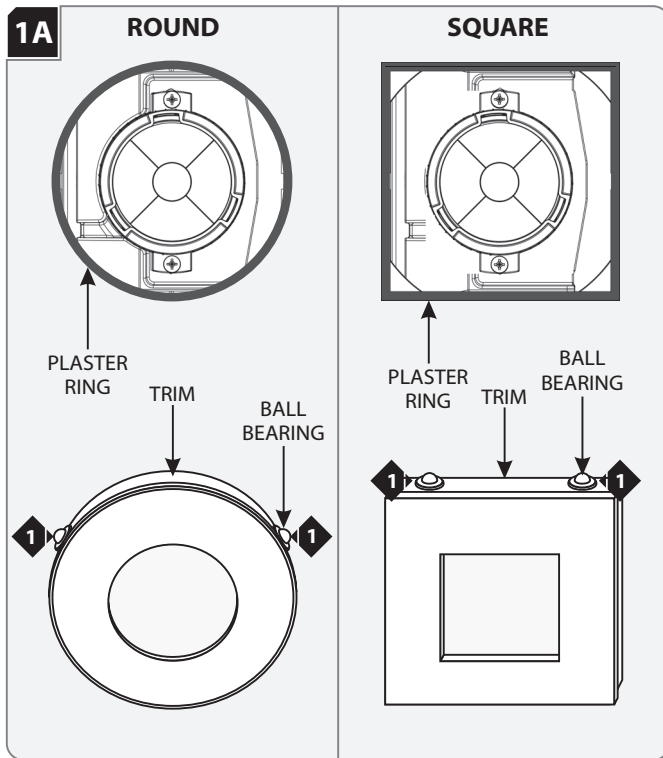


This instruction shows a typical installation.

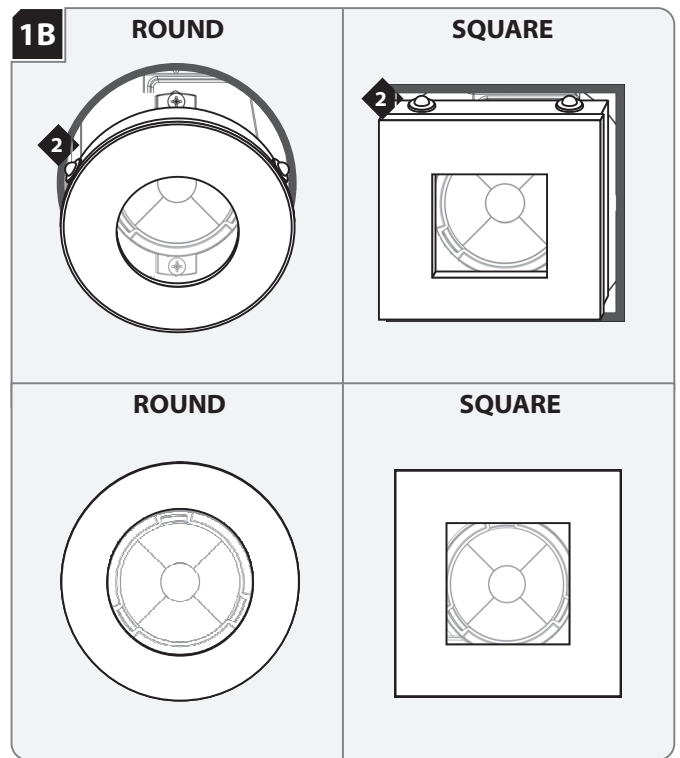


SAVE THESE INSTRUCTIONS!

Install the Trim



1 Align the trim ball bearings with the inner edge of the plaster ring.



2 Push the trim into the plaster ring so that the ball bearings snap into the plaster ring walls.



7400 Linder Ave., Skokie, IL 60077
 T 847.410.4400 | F 847.410.4500
www.techlighting.com