

E3 Wall Wash Flanged Trims

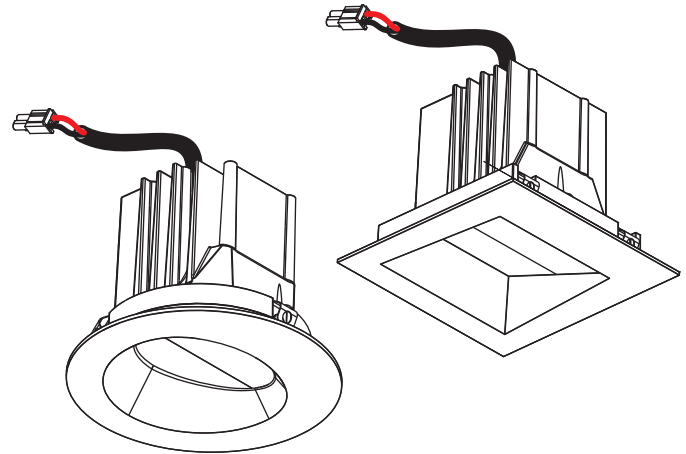
1.0



GENERAL PRODUCT INFORMATION:

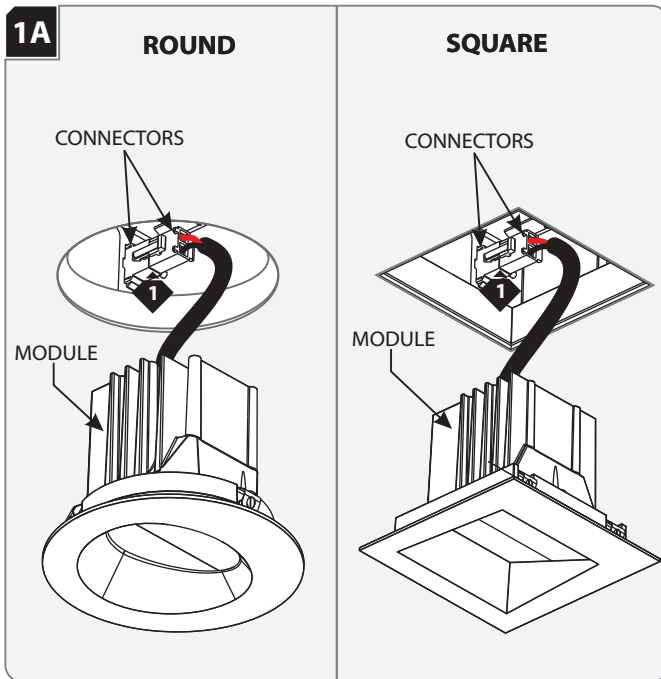
This product is suitable for indoor locations.

This instruction shows a typical installation.

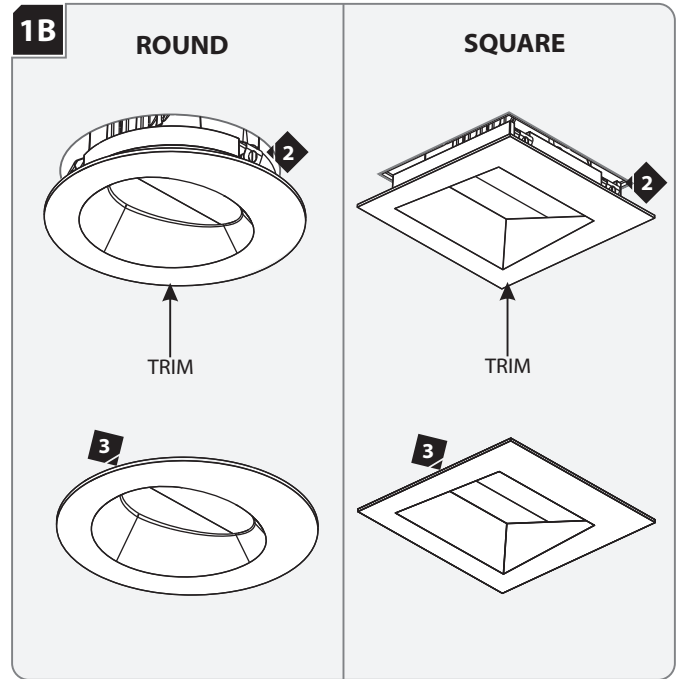


SAVE THESE INSTRUCTIONS!

Install the Module and Trim



1 Connect the wall wash module to the fixture using the connectors.



- 2** Align the trim with the inner edge of the collar or plaster plate.
- 3** Push the trim into the collar or plaster plate until it snaps into the collar or plaster plate walls.



7400 Linder Ave., Skokie, IL 60077
 T 847.410.4400 | F 847.410.4500
www.techlighting.com