

Round Flanged Wall Wash Trim

E3RFW- 1.1



ELEMENT

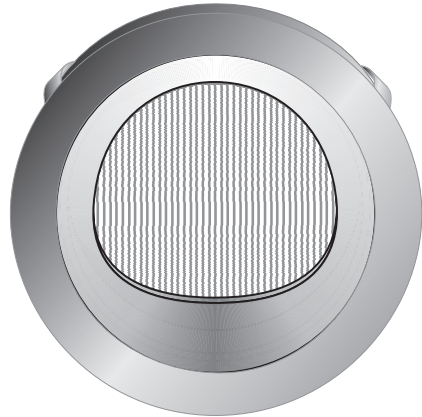
GENERAL PRODUCT INFORMATION:

This product is suitable for indoor locations.

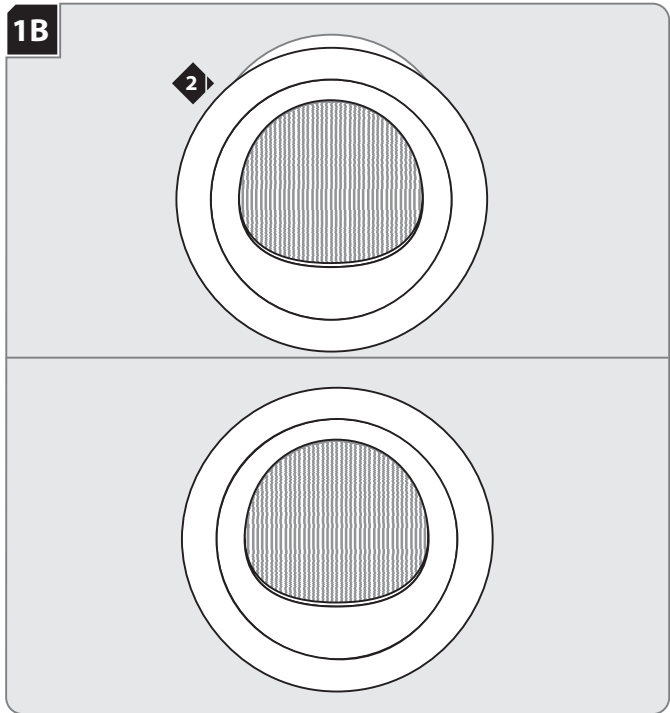
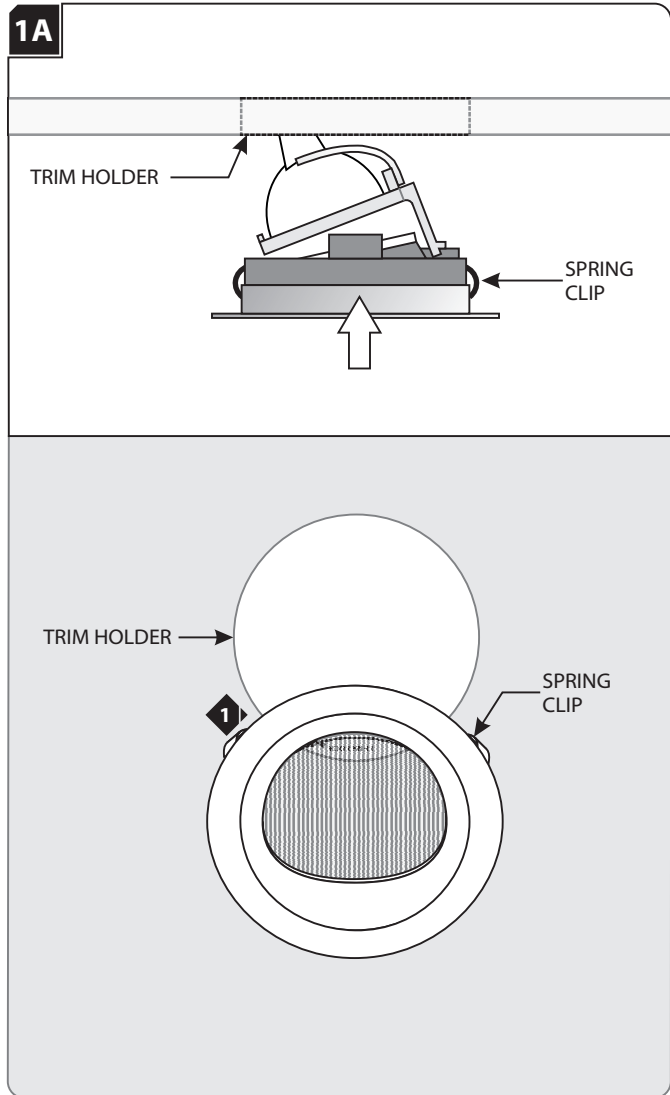


This instruction shows a typical installation.

SAVE THESE INSTRUCTIONS!



Install the Trim



2 Push the trim into the trim holder so that the spring clips snap into the trim holder.

1 Align the trim spring clips with the inner edge of the housing trim holder. Make sure the lamp and trim are pointed in the same direction. There are printed markings on the trim that indicate "TO LIGHTED WALL."



7400 Linder Ave., Skokie, IL 60077
 T 847.410.4400 | F 847.410.4500
www.techlighting.com