

# Square Flanged Bevel Trim

E3SF\_B\_

1.2

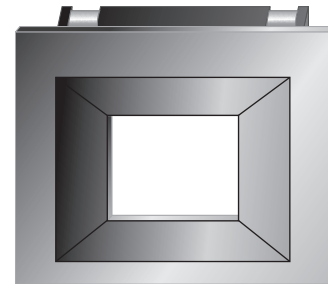
**ELEMENT**  
a brand of **TECH LIGHTING**

TRIMS

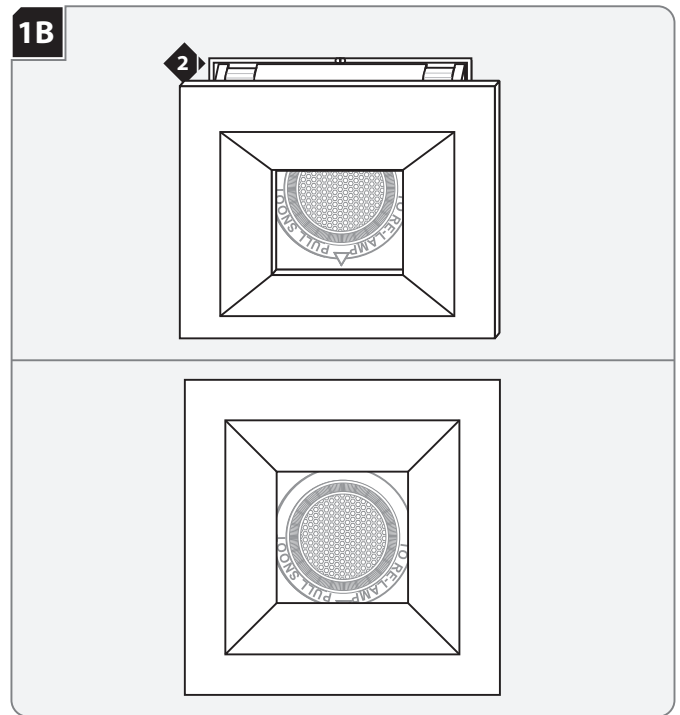
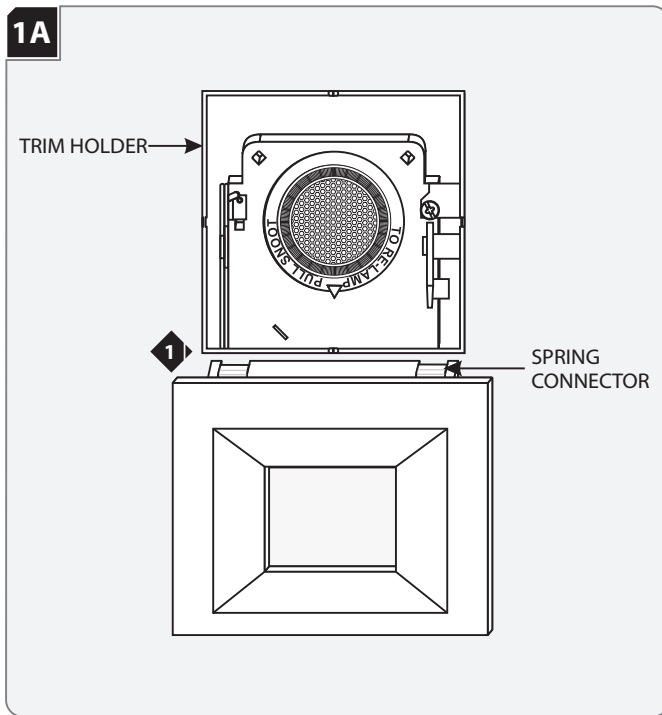
## GENERAL PRODUCT INFORMATION:

This product is suitable for indoor locations.

This instruction shows a typical installation.



## Install the Trim



**2** Push the trim into the trim holder so that the four spring connectors snap into the trim holder edge.

CEILING THICKNESS	MAXIMUM RECOMMENDED TILT
1 inch	40 degrees
1.1 to 1.5 inch	30 degrees
1.6 to 2.0 inch	20 degrees
2.1 to 2.5 inch	10 degrees

**1** Align the trim spring connectors with the inner edge of the housing trim holder.

**SAVE THESE INSTRUCTIONS!**

**ELEMENT**  
a brand of **TECH LIGHTING**

7400 Linder Ave, Skokie, IL 60077  
847.410.4400

[www.element-lighting.com](http://www.element-lighting.com)

© 2008 Tech Lighting, L.L.C. All rights reserved. The "Element" graphic is a registered trademark of Element. Element reserves the right to change specifications for product improvements without notification.

A Generation Brands Company