

# Square Flanged Wall Wash Trim

E3SFW- 1.1



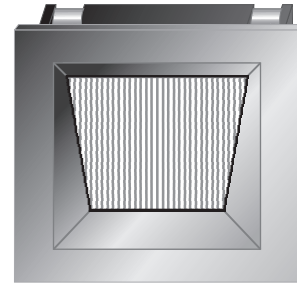
ELEMENT

## GENERAL PRODUCT INFORMATION:

This product is suitable for indoor locations.

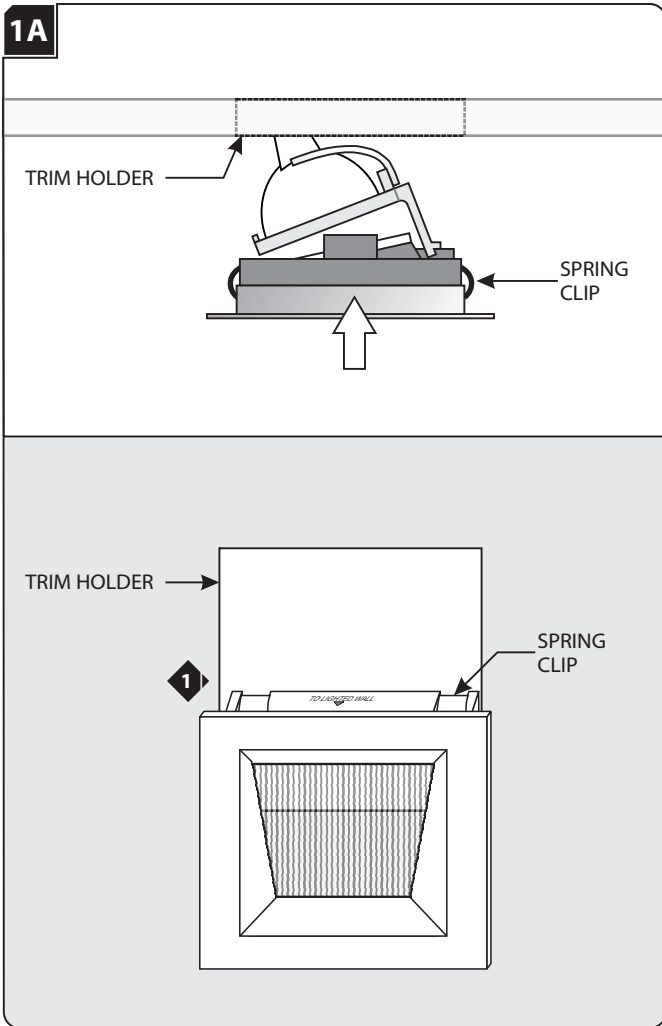


This instruction shows a typical installation.

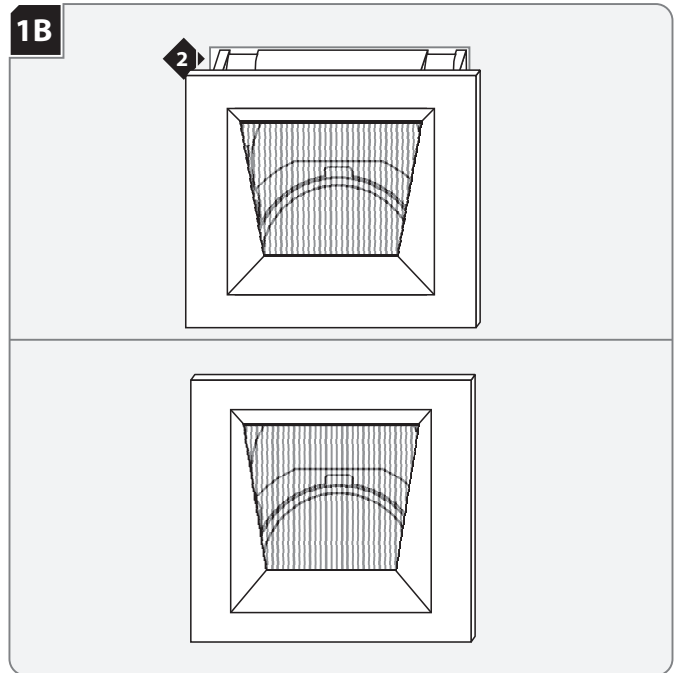


**SAVE THESE INSTRUCTIONS!**

## Install the Trim



**1** Align the trim spring clips with the inner edge of the housing trim holder. Make sure the lamp and trim are pointed in the same direction. There are printed markings on the trim that indicate "TO LIGHTED WALL."



**2** Push the trim into the trim holder so that the spring clips snap into the trim holder edge.



7400 Linder Ave., Skokie, IL 60077  
 T 847.410.4400 | F 847.410.4500  
[www.techlighting.com](http://www.techlighting.com)