

# E4 Pro Adjustable Flangeless Trims

1.0

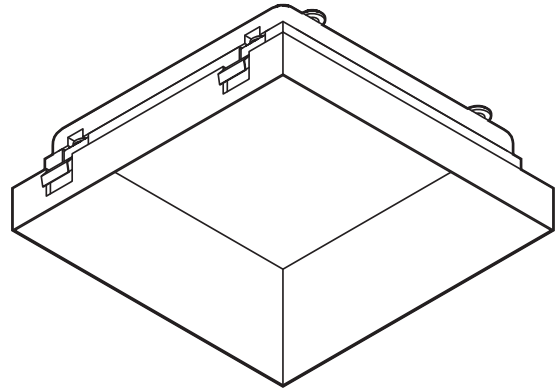


## FLANGELESS TRIMS

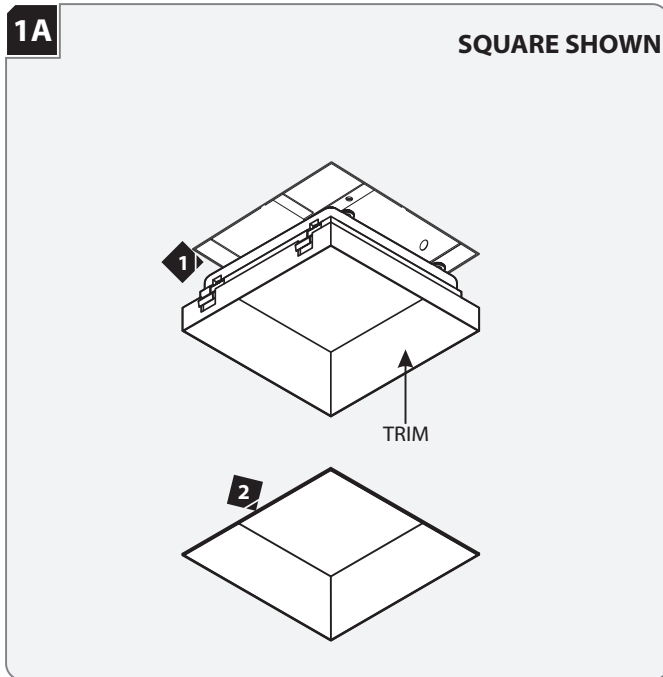
### GENERAL PRODUCT INFORMATION:

This product is suitable for indoor locations.

This instruction shows a typical installation.



### Install the Trim



- 1 Align the trim with the inner edge of the plaster plate.
- 2 Push the trim into the plaster plate until it snaps flush to the ceiling.

**SAVE THESE INSTRUCTIONS**



7400 Linder Ave, Skokie, IL 60077

847.410.4400

[www.techlighting.com](http://www.techlighting.com)

© 2020 Tech Lighting, L.L.C. All rights reserved.  
Visual Comfort & Co.