

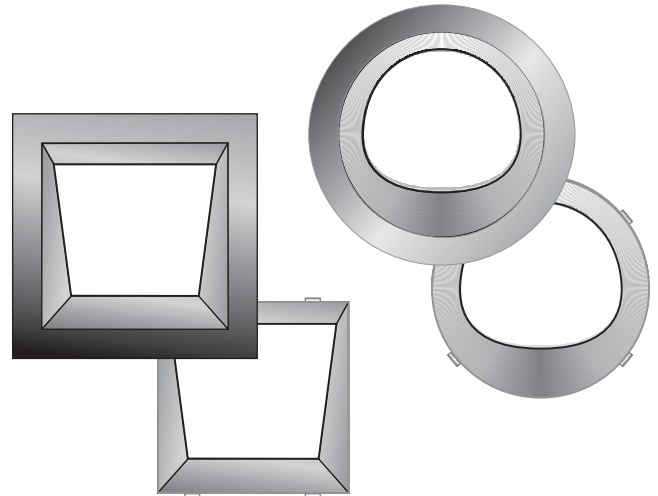
Square and Round Wall Wash Trims for 4" Element

E4_W_ 1.0

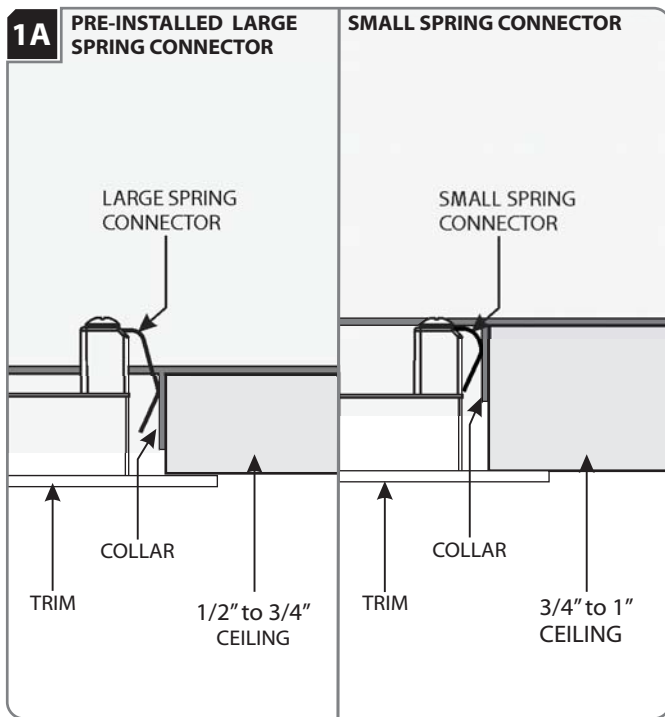


GENERAL PRODUCT INFORMATION:

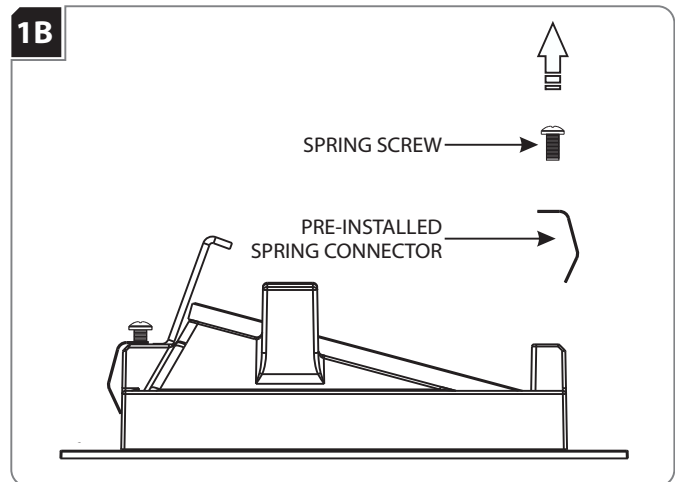
This product is suitable for indoor locations.



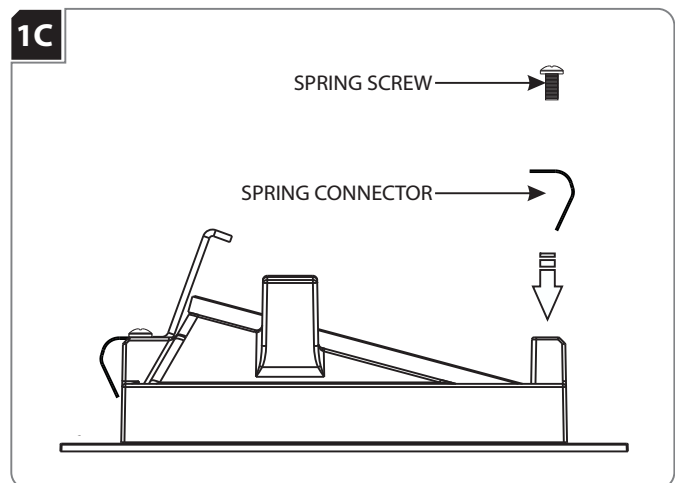
Preparation for Installation



- 1 The pre-installed springs are intended for ceiling thicknesses from 1/2" to 3/4". Skip to section 2 if the ceiling thickness is 1/2" to 3/4".
- 2 For ceiling thicknesses from 3/4" to 1", follow the rest of this section to replace the trim springs.



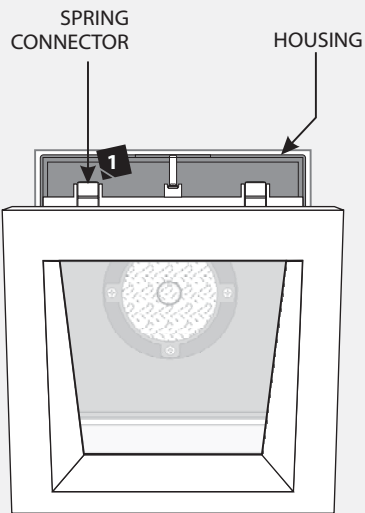
- 3 Replace the pre-installed spring connectors by removing the spring screws.



- 4 Install the small spring connectors and secure them by reinstalling the spring screws.

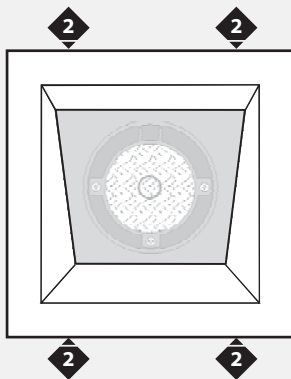
Install the Trim

2A



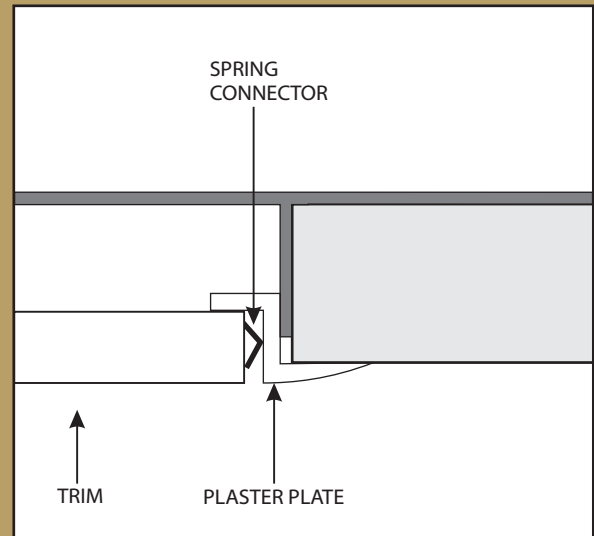
- 1 Align the trim spring connectors with the inner edge of the housing.

2B



- 2 Gently push the trim into the housing so that the four spring connectors snap into place.

NOTE: For flangeless trims, the spring connectors on the trim snap into the plaster plate.



SAVE THESE INSTRUCTIONS!

ELEMENT 
by Tech Lighting®

7400 Linder Ave, Skokie, IL 60077
847.410.4400

www.element-lighting.com

© 2013 Tech Lighting, L.L.C. All rights reserved. The "Element" graphic is a registered trademark of Element. Element reserves the right to change specifications for product improvements without notification.

A Generation Brands Company