

ENTRA Cylinder 2" Flush Mount

ECD_ 1.2

VISUAL COMFORT & Co.

ARCHITECTURAL COLLECTION

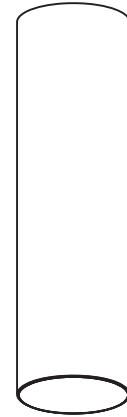
GENERAL PRODUCT INFORMATION:



This product is suitable for damp locations.

This product can be dimmed with a standard electronic dimmer or 0-10V dimmer.

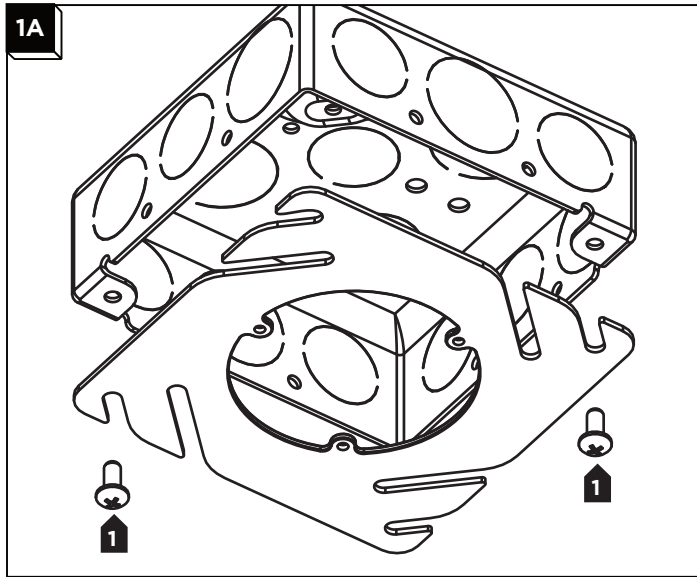
This instruction shows a typical installation.



CAUTION - RISK OF FIRE
This product must be installed in accordance with the applicable installation code by a person familiar with the construction and operation of the product and the hazards involved.
Use minimum 90°C supply conductors.

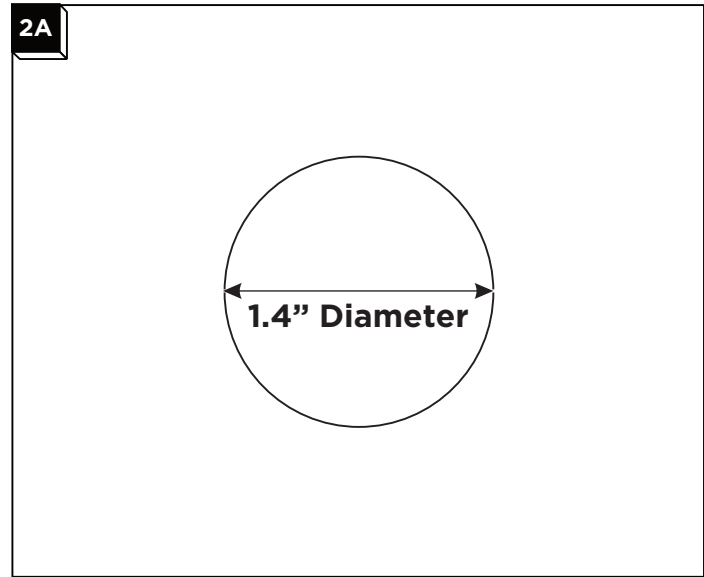
SAVE THESE INSTRUCTIONS!

Prepare the Junction Box



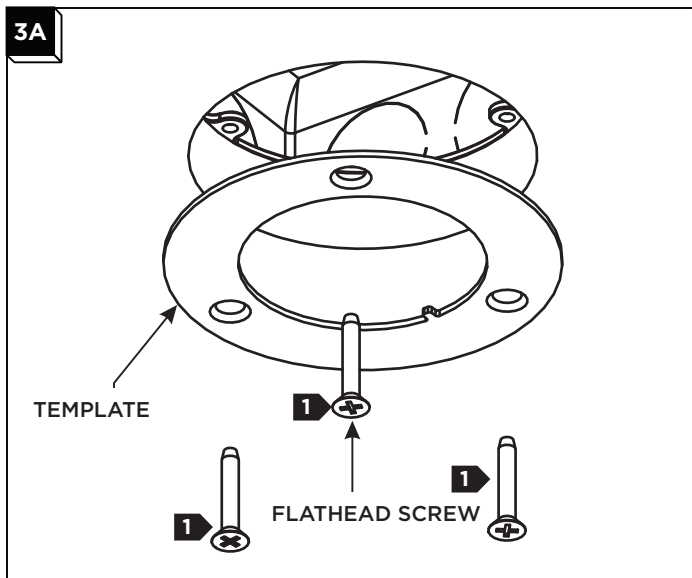
1 Prior to installing the drywall, attach the support plate to the junction box with the provided screws.

Install the Drywall



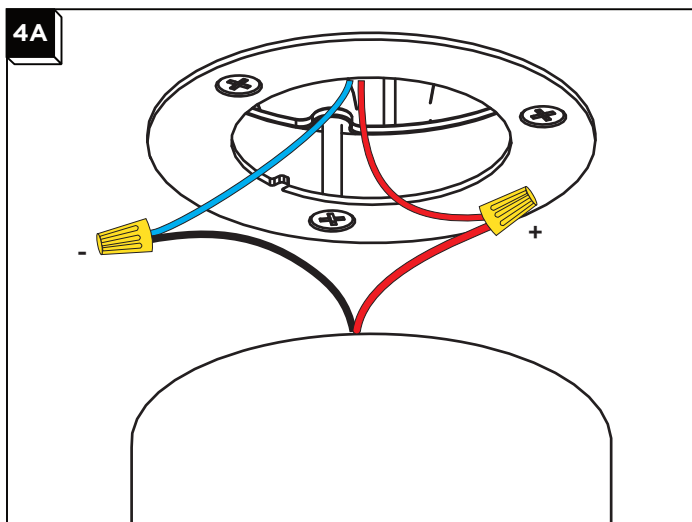
- 1** Install the drywall.
- 2** After installing the drywall, locate the j-box, there should be a slight protrusion in the area where it is located.
- 3** Use the provided circular template and cut a 1.4" diameter hole

Install the Template



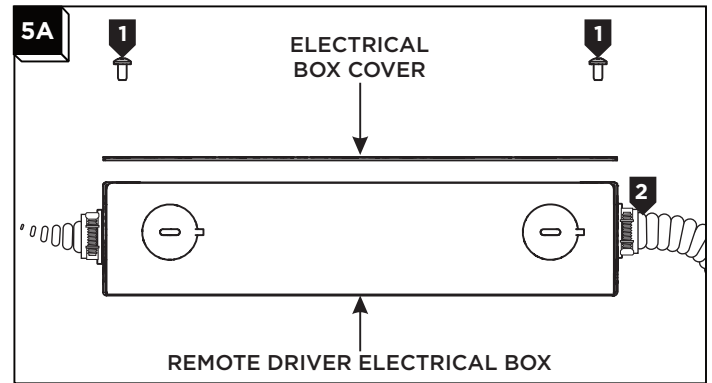
- 1 Use the three flathead screws to secure the template to the previously installed J-box plate.

Wire the Fixture



- 1 Use the following wiring diagrams to wire your fixture.

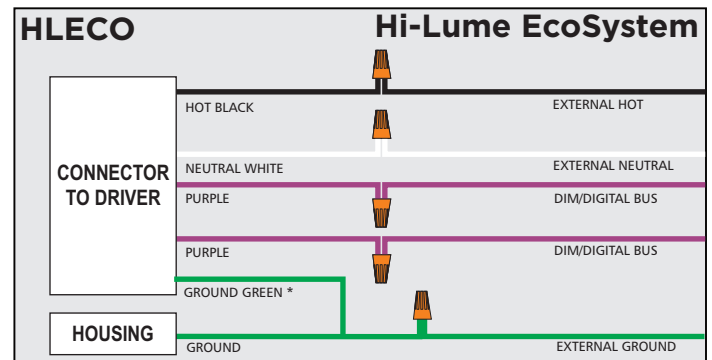
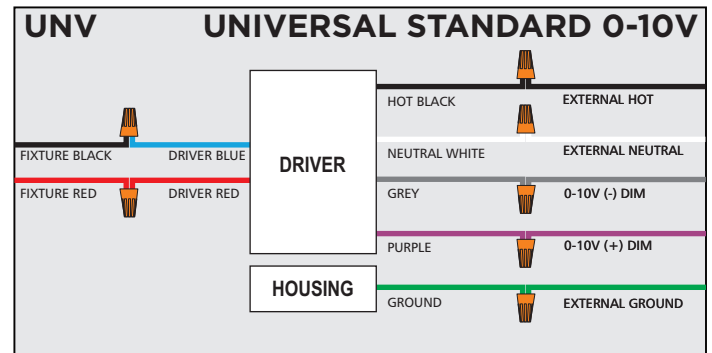
Connect Power to the Housing (Remote Drivers)



- 1 Open remote driver junction box by removing 2 screws.
- 2 Connect conduit or Romex to junction box with the proper fittings
- 3 Use the wiring diagrams to wire your fixture accordingly.

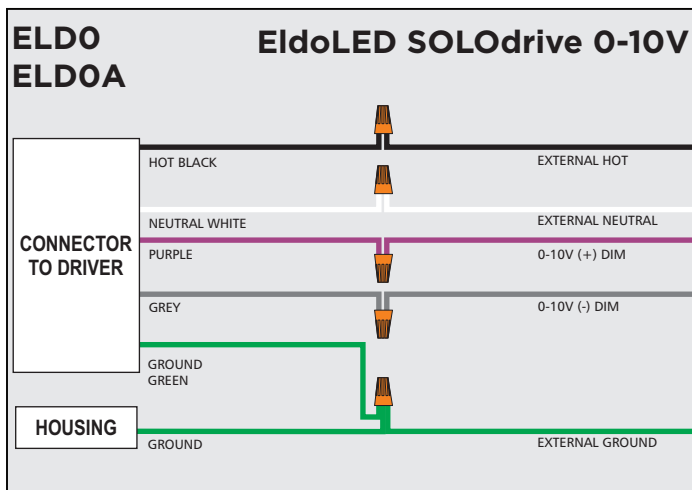
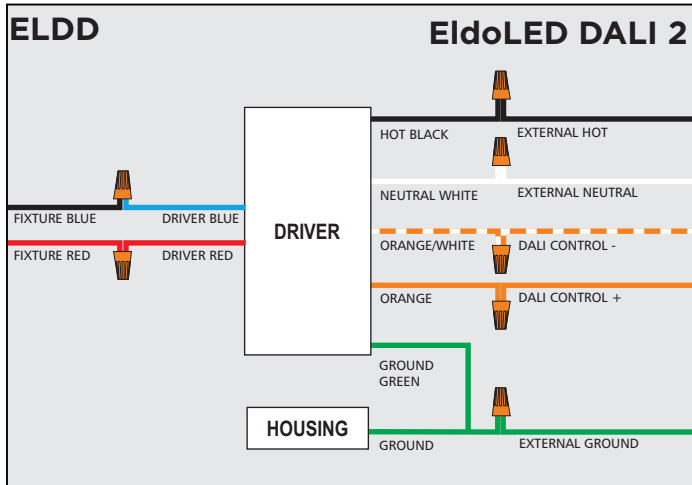
Wiring Diagrams (Remote Drivers)

WARNING: Do not connect red and blue wires from fixture to line voltage.

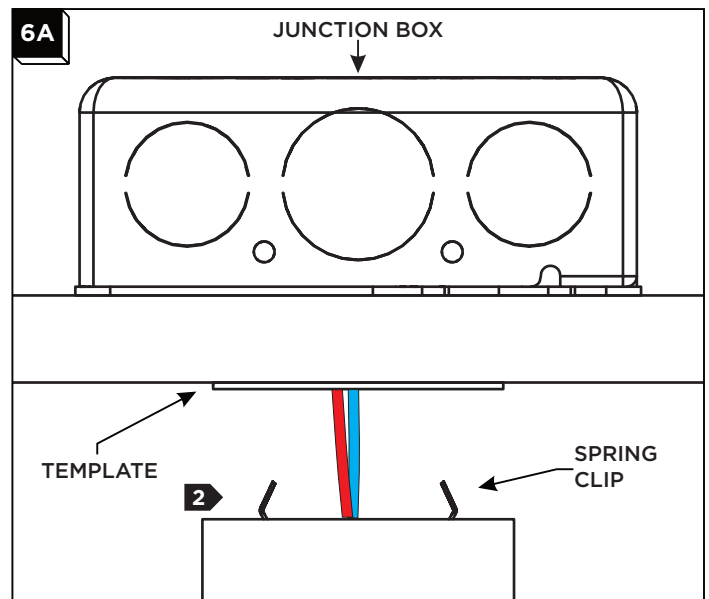


Wiring Diagrams (Remote Drivers cont.)

WARNING: Do not connect red and blue wires from fixture to line voltage.



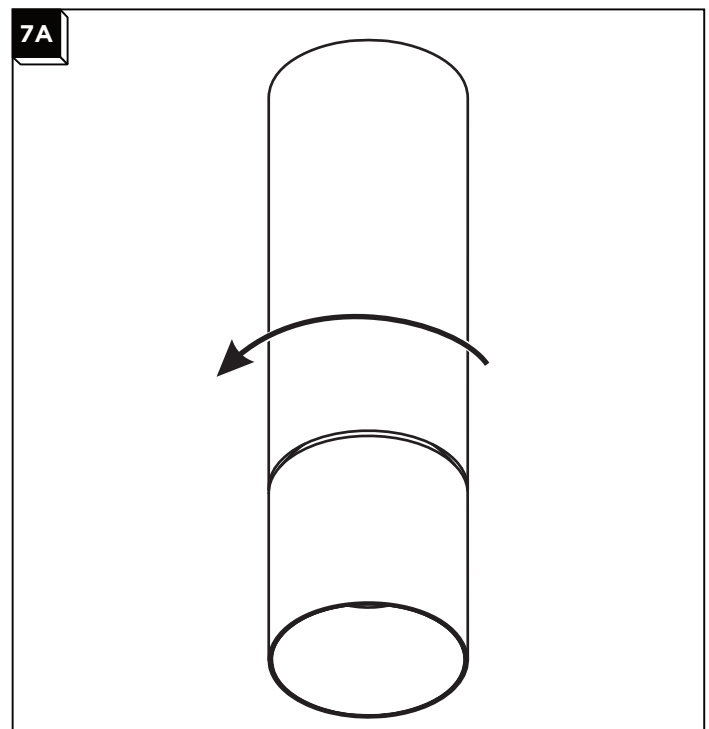
Install the Fixture



- 1** Neatly place all wires and wire nut connections inside the junction box.
- 2** Align the Cylinder's spring clips with the template hole and push up until the Cylinder sits flush against the ceiling.

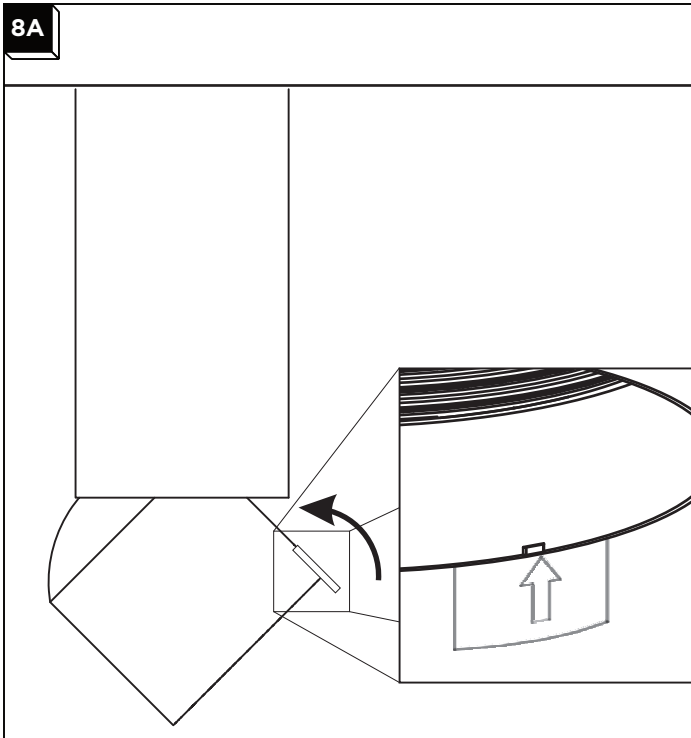
NOTE: It is recommended to use both hands and push up on the Cylinder firmly.

Rotate the Cylinder



- 1** For the adjustable and wall wash fixture: the cylinder can rotate 358° to assist with aiming at the wall.

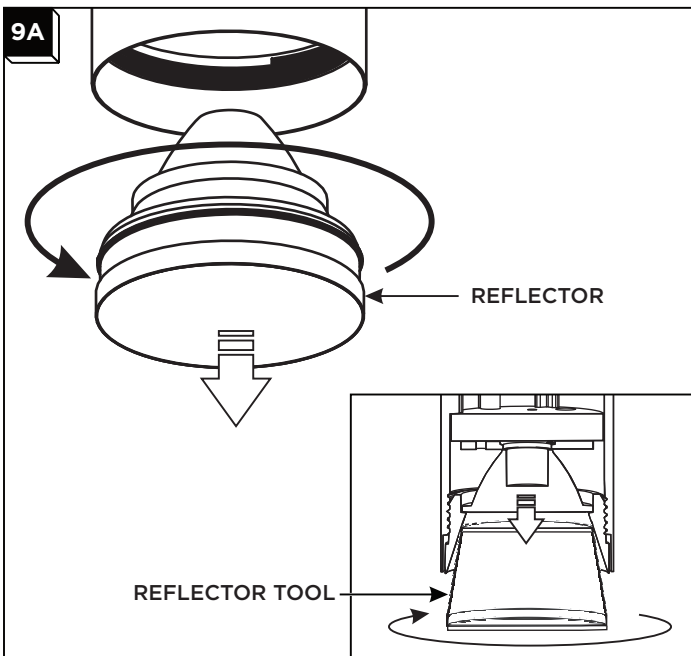
Adjust the Angle (Adjustable only)



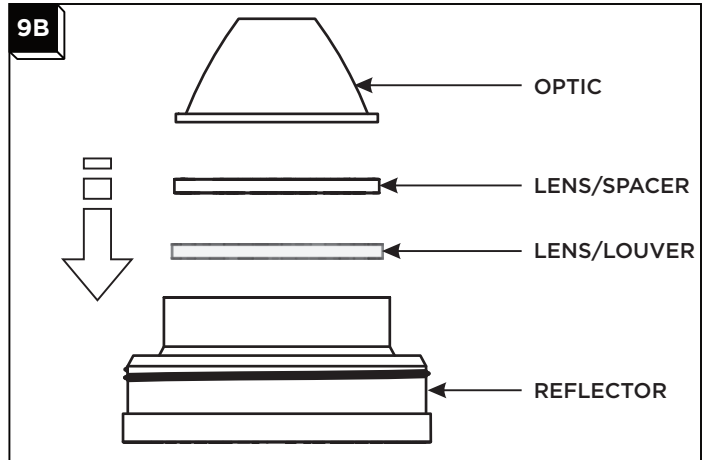
- 1 For the adjustable only: push up or pull down where the label is located to tilt the lower cylinder to the desired angle (0° - 45°)

NOTE: If the label has been removed, look for the notch at the bottom of the housing as an indicator in its place.

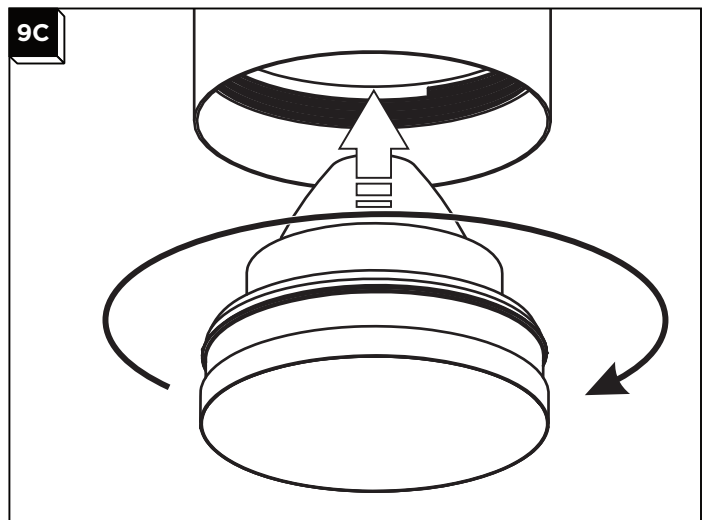
Install the Reflector Accessory



- 1 Remove the reflector by gripping the interior of the reflector and rotate counter-clockwise. (If purchased, the reflector tool can be used to grip the reflector.)
- 2 Save the optic and discard the reflector.



- 3 In the accessory reflector place the first lens or louver.
- 4 If only using one lens then place the spacer, else place the second lens.
- 5 Then rest the optic on top of the second lens or spacer.



- 6 Install the reflector by inserting it into the bottom of the Cylinder and screw it in as far as it will go.