

ENTRA Cylinder 2" Surface and Pendant Mount

ECD_ 1.5

VISUAL COMFORT & CO.

ARCHITECTURAL COLLECTION

GENERAL PRODUCT INFORMATION:



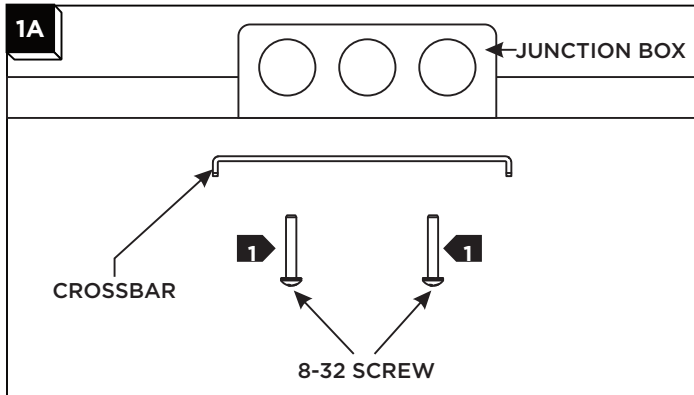
This product is suitable for damp locations.

This product can be dimmed with a standard electronic dimmer or 0-10V dimmer.

This instruction shows a typical installation.

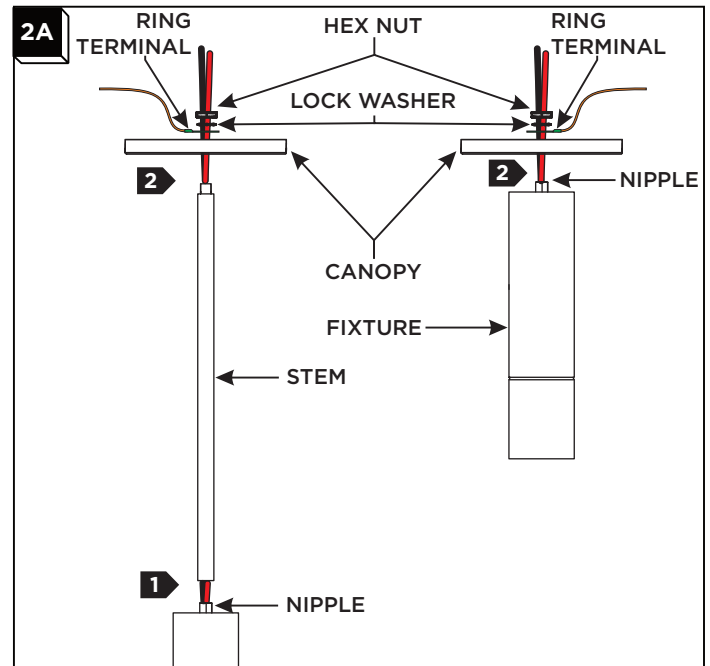
SAVE THESE INSTRUCTIONS!

Install the Crossbar

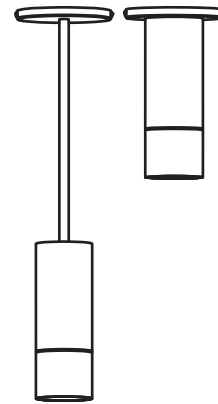


1 Mount the crossbar to the junction box with the provided #8-32 screws.

Assemble the Fixture

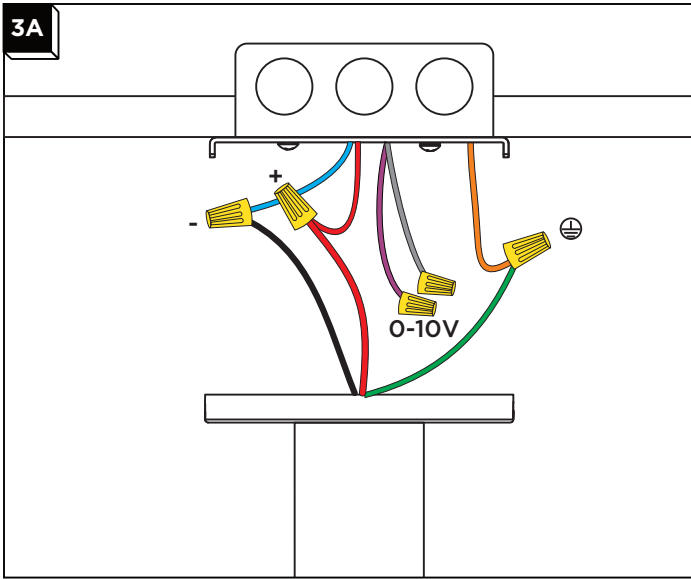


- 1** **For Optional Stem:** If the optional stem was ordered feed the wiring through the stem first, apply a thread lock adhesive to the threads, and screw the stem to the top of the fixture until flush (**do not over tighten**).
- 2** Feed the wiring through the canopy, ring terminal, lock washer and hex nut, in that order. Then fasten the canopy to the fixture or stem by tightening the lock washer and hex nut to the nipple.



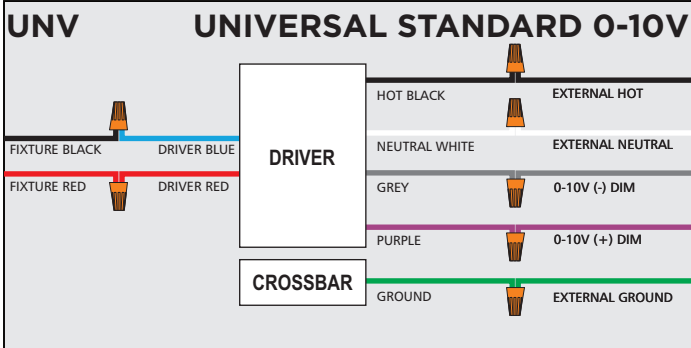
CAUTION - RISK OF FIRE
 This product must be installed in accordance with the applicable installation code by a person familiar with the construction and operation of the product and the hazards involved.
Use minimum 90°C supply conductors.

Wire the Fixture

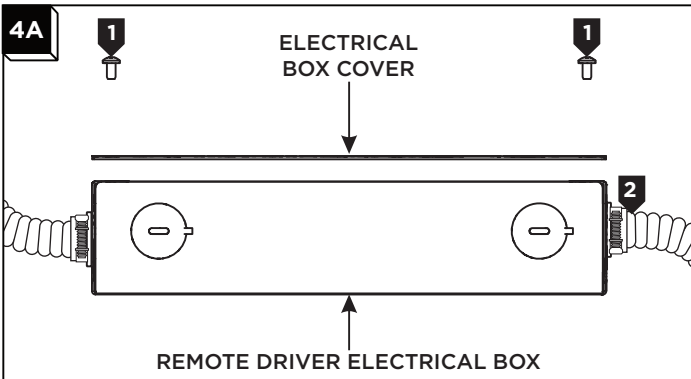


- 1 Use the following wiring diagram to wire your fixture.
- 2 Make sure to cap 0-10V dimming wires if not being used.

Wiring Diagrams (Driver Located in J-box)



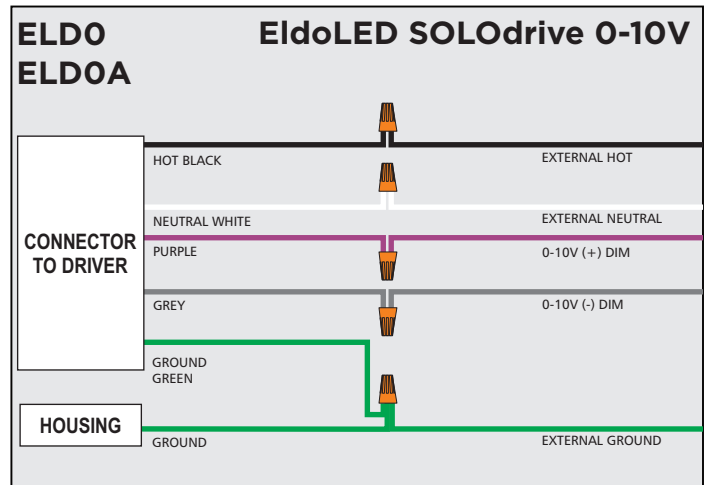
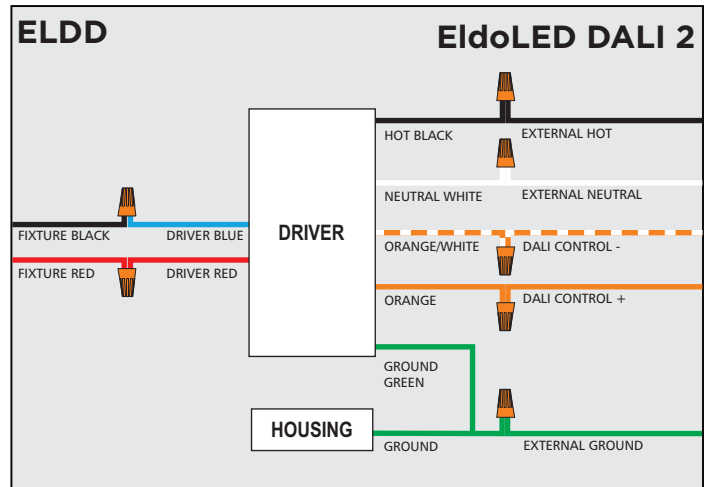
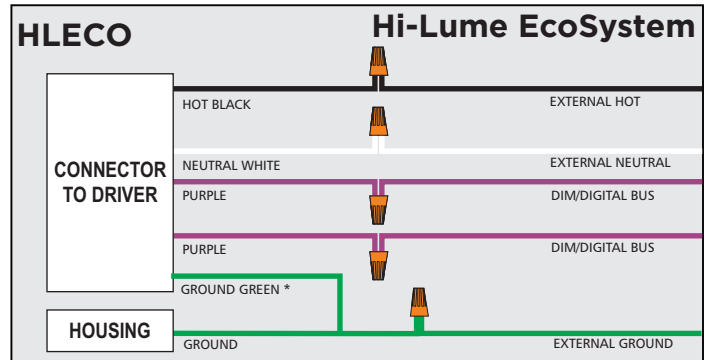
Connect Power to the Housing (Remote Drivers)



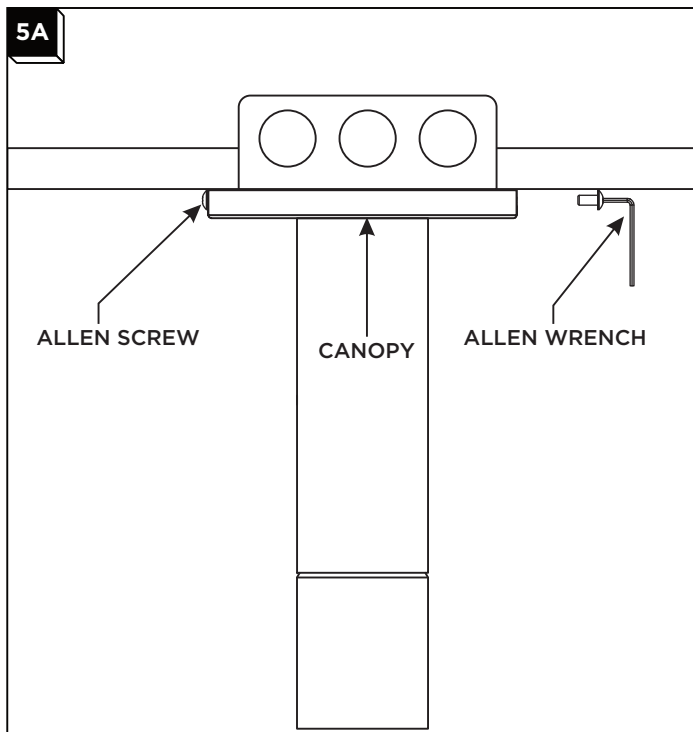
- 1 Open remote driver junction box by removing 2 screws.
- 2 Connect conduit or Romex to junction box with the proper fittings
- 3 Use the wiring diagrams to wire your fixture accordingly.

Wiring Diagrams (Remote Drivers)

WARNING: Do not connect red and blue wires from fixture to line voltage.

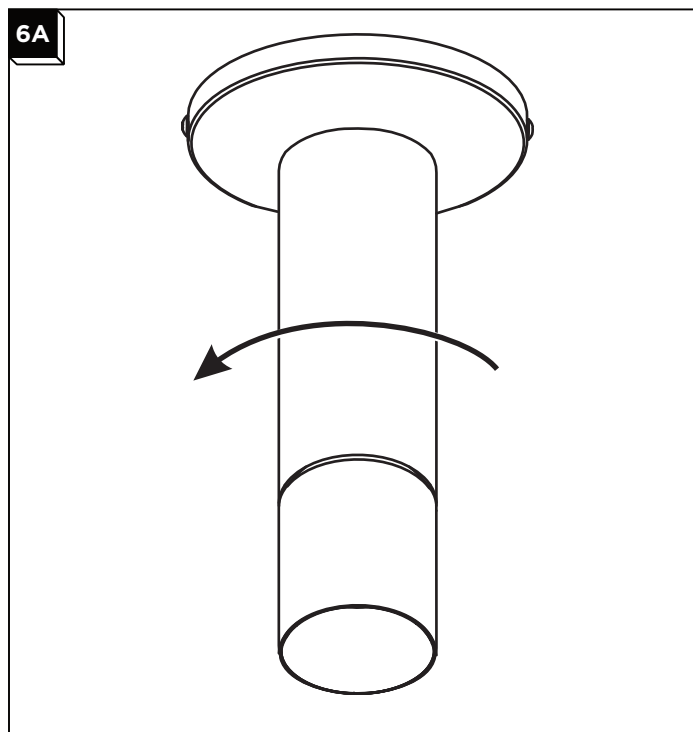


Install the Fixture



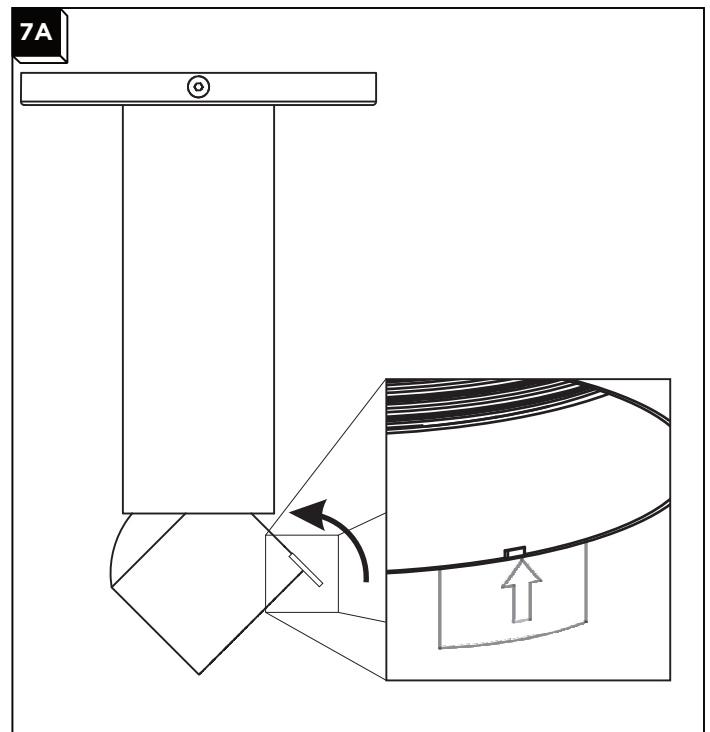
- 1 Neatly place all wires and wire nut connections inside the canopy.
- 2 Secure the canopy to the crossbar with the provided allen screws and allen wrench.

Rotate the Cylinder



- 1 For adjustable and wall wash fixtures: the cylinder can rotate 358° to assist with aiming at the wall.

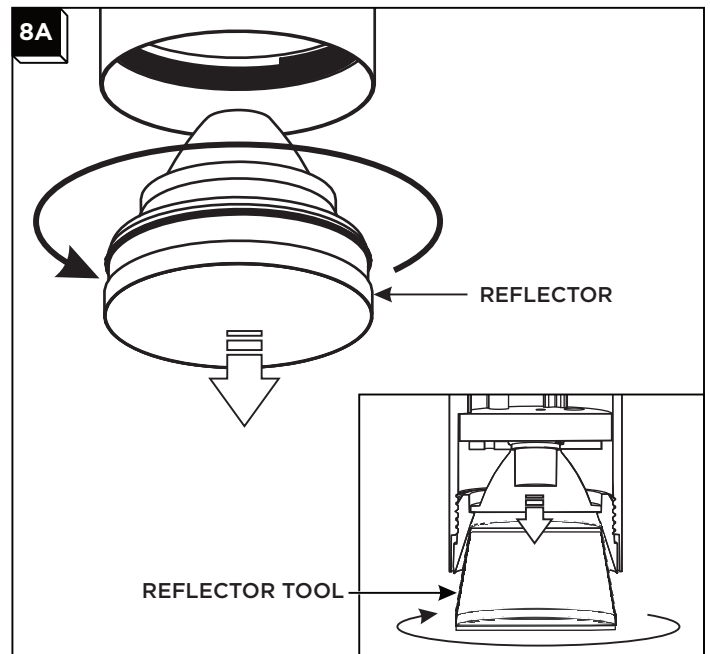
Adjust the Angle (Adjustable only)



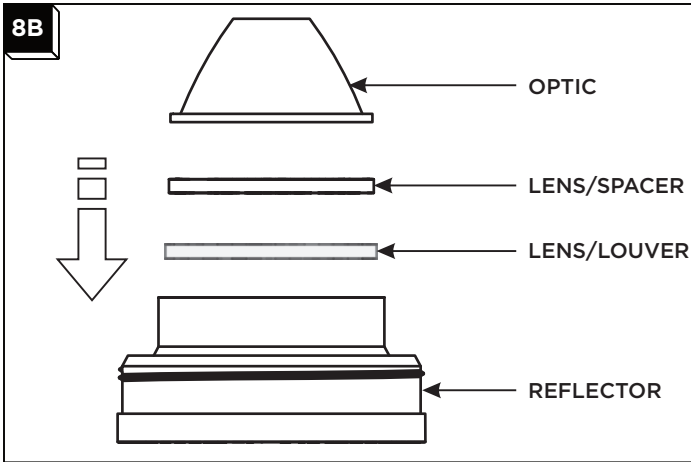
- 1 For the adjustable only: push up or pull down where the label is located to tilt the lower cylinder to the desired angle (0°-45°)

NOTE: If the label has been removed, look for the notch at the bottom of the housing as an indicator in its place.

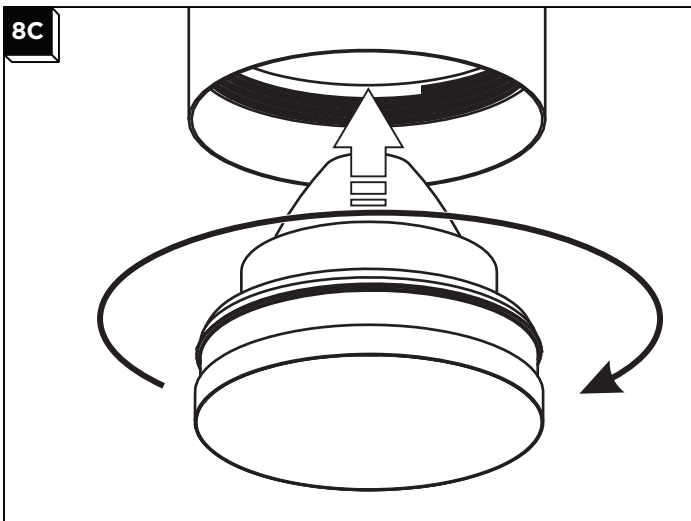
Install the Reflector Accessory



- 1 Remove the reflector by gripping the interior of the reflector and rotate counter-clockwise. (If purchased, the reflector tool can be used to grip the reflector.)
- 2 Save the optic and discard the reflector.



- 3** In the accessory reflector place the first lens or louver.
- 4** If only using one lens then place the spacer, else place the second lens.
- 5** Then rest the optic on top of the second lens or spacer.



- 6** Install the reflector by inserting it into the bottom of the Cylinder and screw it in as far as it will go.