

# Reflections Remodel

EDIM\_ 1.1



**GENERAL PRODUCT INFORMATION:** 

This product is suitable for indoor locations.

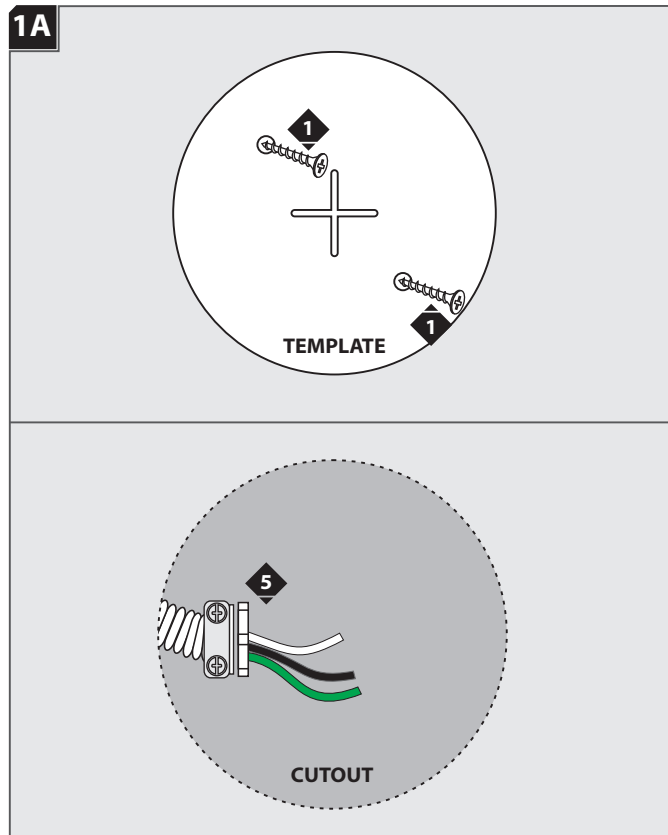
This product may be dimmed with a standard electronic dimmer and/or 0-10V dimmer.

This instruction shows a typical installation.

**CAUTION - RISK OF FIRE**  
 This product must be installed in accordance with the applicable installation code by a person familiar with the construction and operation of the product and the hazards involved.  
**Use minimum 90°C supply conductors.**

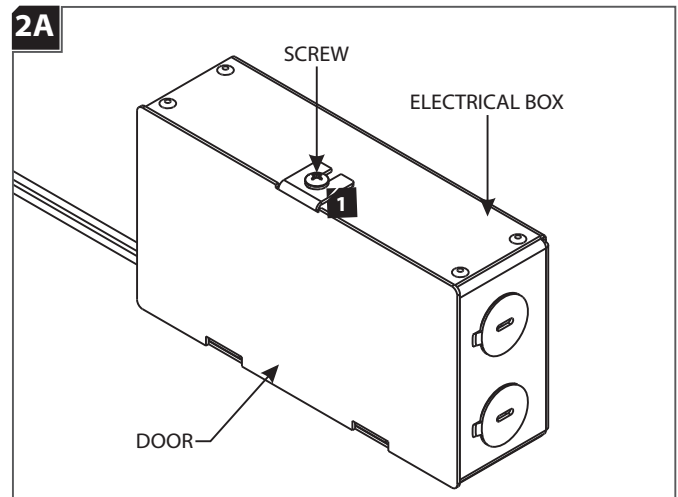
**SAVE THESE INSTRUCTIONS!**

## Prepare for Installation



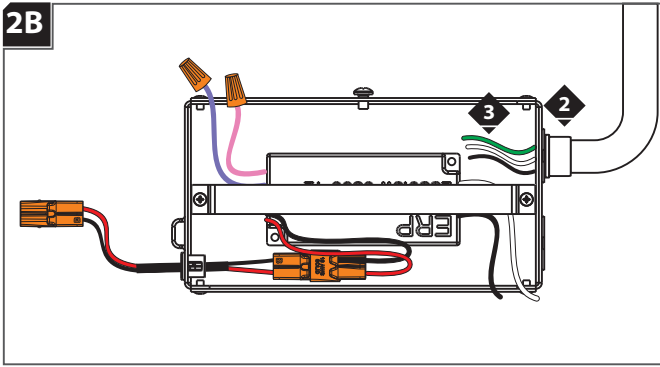
- 1 Mount the cutout template(s) to the desired location using tape or two screws.
- 2 If necessary, use a laser to align the center mark of multiple fixtures.
- 3 Trace the cutout around the outside of the template.
- 4 Make the cutout by running a 1/8" RotoZip around the traced line.
- 5 Bring conduit to the ceiling cut-out(s).

## Connect the Power



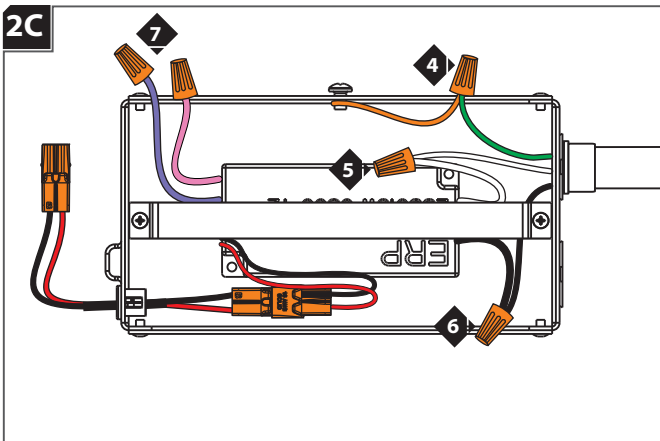
- 1 Open the electrical box door by loosening the screw and removing the door.

## Install the Trim (For Flanged Versions)

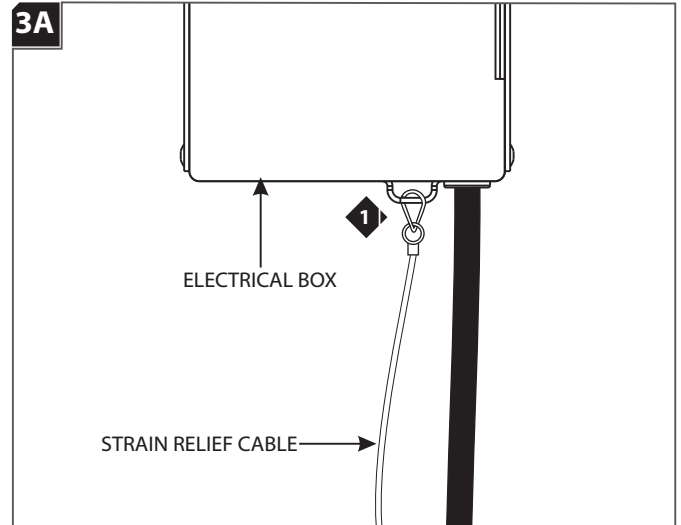


- 2 Install the conduit to the electrical box.
- 3 Run the power lines wires into the electrical box.

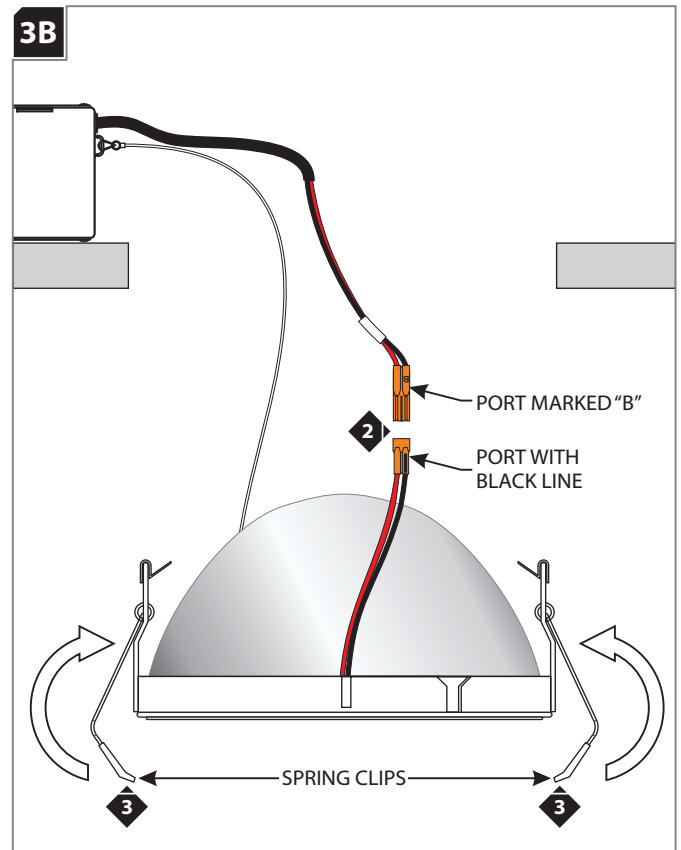
**NOTE:** When a fixture is installed in a location that requires servicing from below the ceiling through the fixture aperture, the branch circuit connections need to be able to be brought out through the aperture. To accomplish this, an NM type cable in conjunction with snap-in/push-in connectors must be used and a 12" service loop must be left available outside of the fixture housing wiring compartment to allow additional branch circuit wiring to be pulled through the snap-in/push-in connector and extended out through the aperture below ceiling level.



- 4 Make sure that fixture is grounded in accordance with local electrical codes.
- 5 Connect the neutral power line wire to the white driver wire with a wire nut.
- 6 Connect the hot power line wire to the black driver wire with a wire nut.
- 7 For 0-10V dimming, use the purple and gray/pink wire to connect to a compatible dimmer. If 0-10V dimming is not being used, make sure the wires are capped off.
- 8 Replace the electrical box cover and tighten the screw. **Make sure no wires are being pinched.**
- 9 Place the electrical box in an appropriate location in the ceiling.

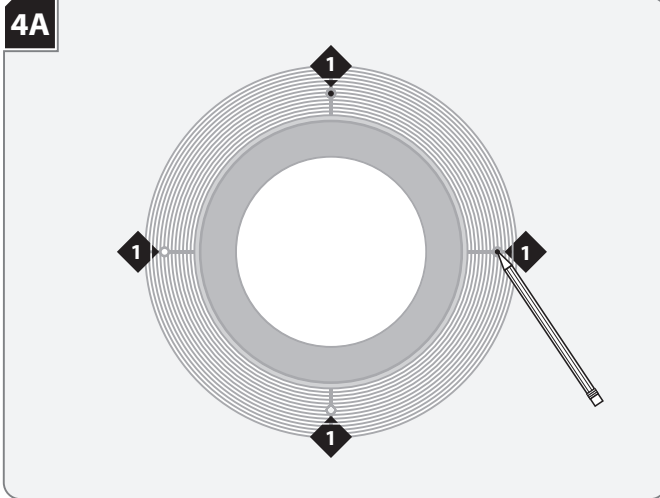


- 1 Clip the strain relief cable from the trim onto the electrical box.

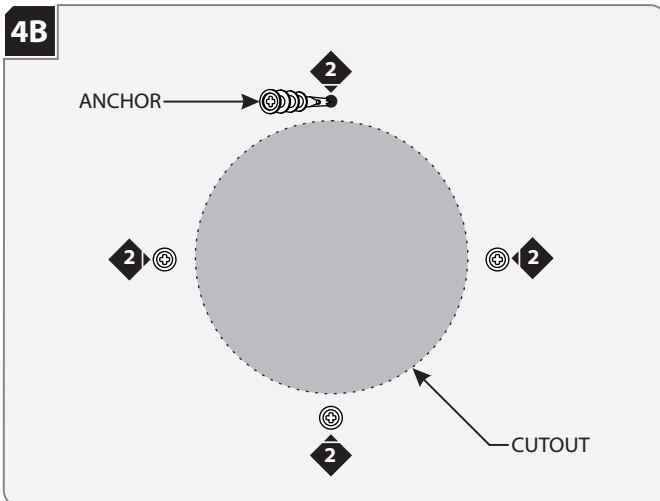


- 2 Connect the jumper cable to the trim making sure the port marked "B" is paired with the port with a black line.
- 3 Spread the two spring clips outward, the push the trim up into the ceiling cutout until secure making sure to neatly tuck in any wiring. **NOTE:** It is recommended to orient the trim such that the wire is facing the electrical box to prevent wires from becoming pinched.

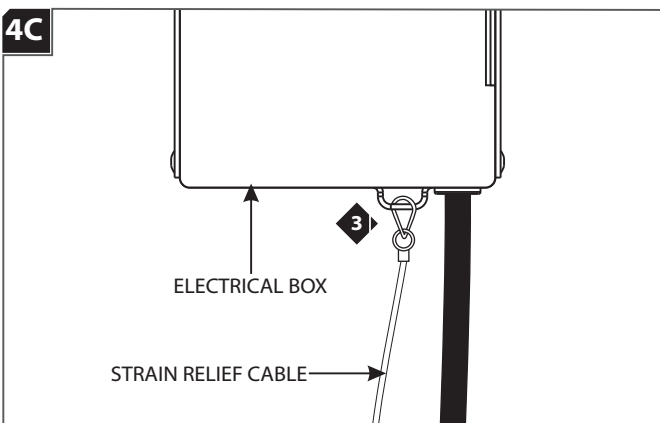
## Install the Trim (For Flangeless Versions)



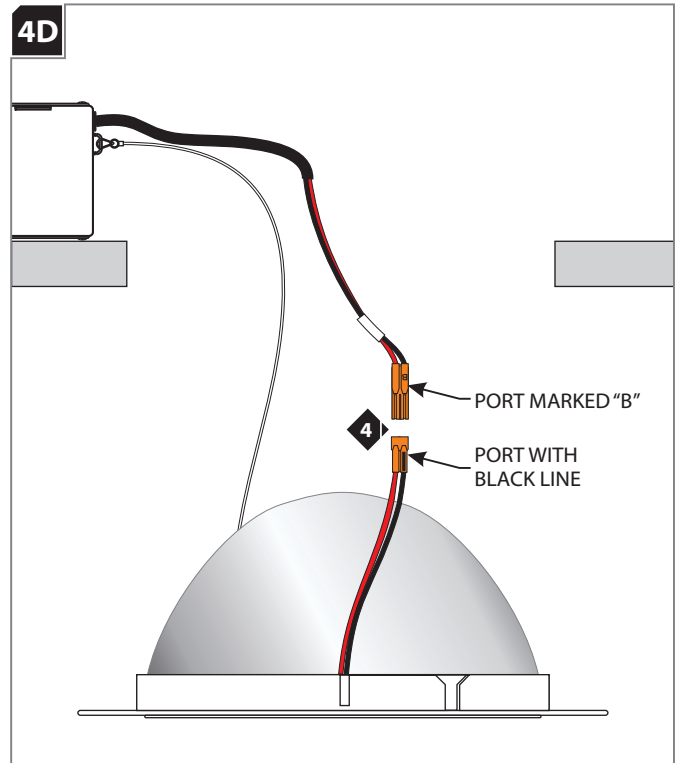
- 1 With the trim strain relief cable facing the location of the electrical box, hold the trim to the ceiling and mark the location of the mounting holes (4 holes for 5" and 8" sizes, 6 holes for 12" size).



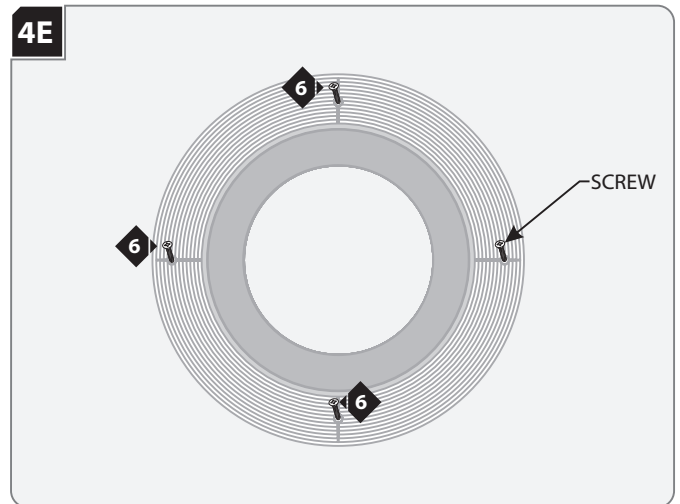
- 2 Remove the trim and install the drywall anchors in those locations.



- 3 Clip the strain relief cable from the trim onto the electrical box.



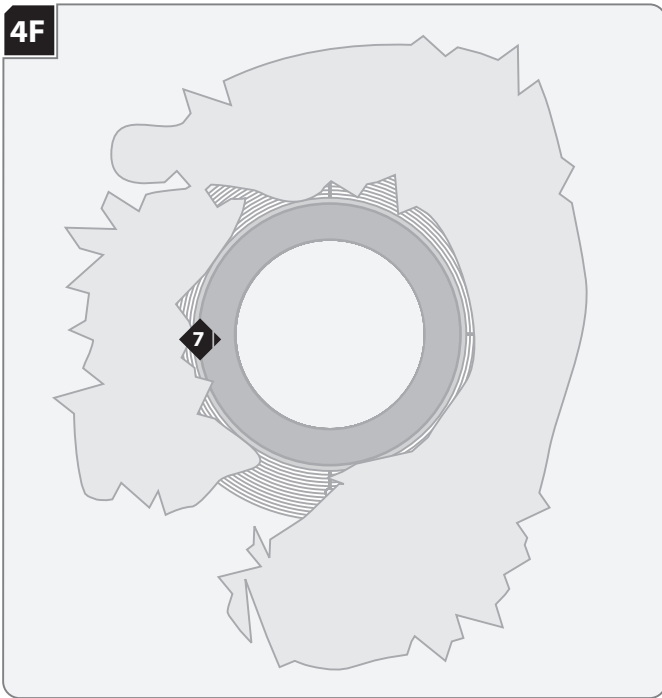
- 4 Connect the jumper cable to the trim making sure the port marked "B" is paired with the port with a black line.
- 5 Push the trim up into the ceiling cutout making sure to neatly tuck in any wiring.



- 6 While supporting the trim, secure the trim in place with the screws provided.

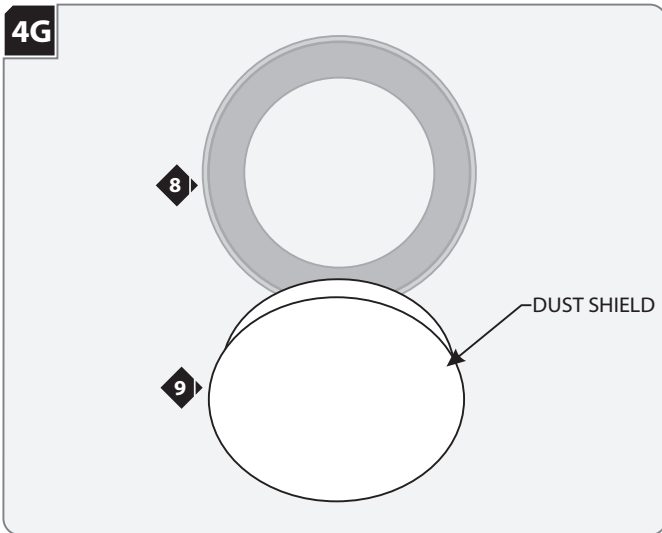
**NOTE:** Do not overtighten the screws!  
Overtightening may break the trim, causing the plaster surface to come away from the drywall.

4F



7 Properly plaster onto the plaster ring and drywall.

4G



8 The trim may be painted to match the ceiling.

9 Remove the dust shield.

 **TECH LIGHTING**

7400 Linder Ave., Skokie, IL 60077

T 847.410.4400 | F 847.410.4500

[www.techlighting.com](http://www.techlighting.com)