

# Driver for Element LED Housings

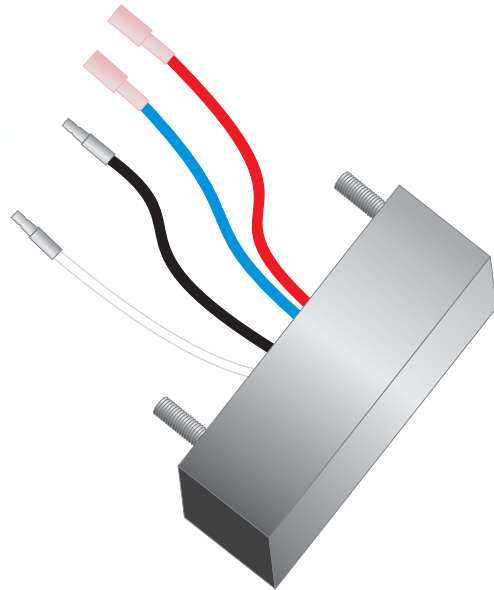
LED DRIVER 1.0



## Adjustable Housing: Section 1

## Wall Wash or Low-Profile Housing: Section 2

## Downlight Housing: Section 3

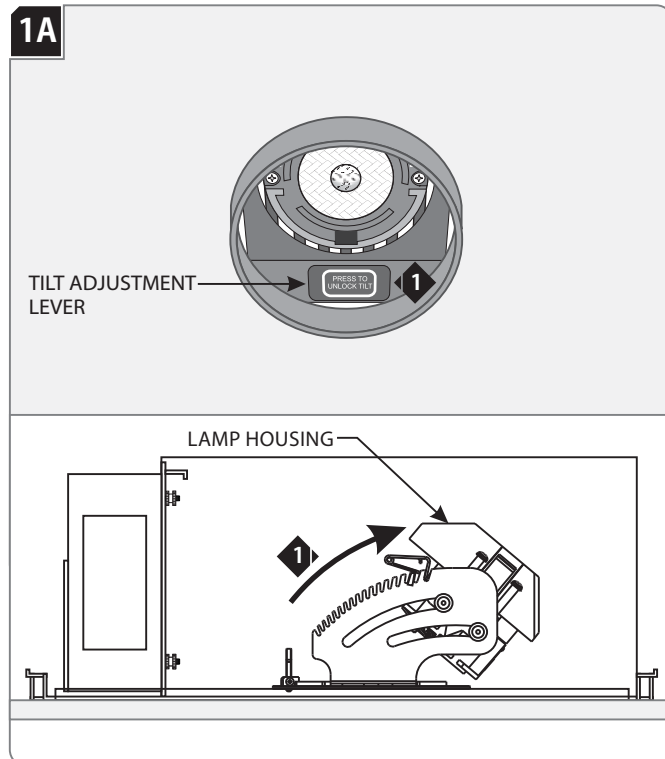


**CAUTION - RISK OF FIRE**

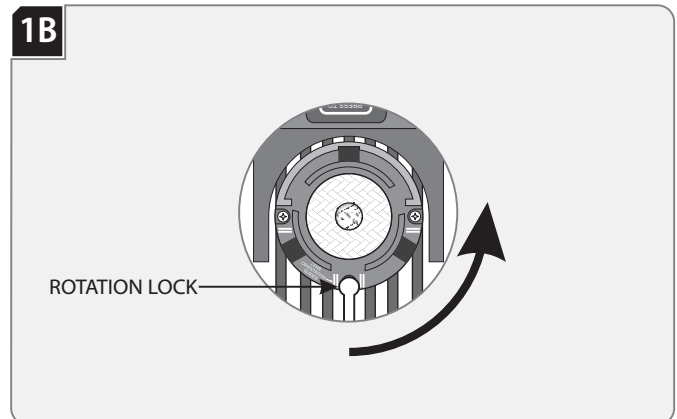
This product must be installed in accordance with the applicable installation code by a person familiar with the construction and operation of the product and the hazards involved.  
Use minimum 90°C supply conductors.

NOTE: Make note of all adjustments of rotation and tilt prior to driver removal. This will assist in readjusting settings when installation has been

## Adjustable Housing Preparations



- 1 Unlock the tilt adjustment lever by pressing where indicated using a finger or screwdriver and position the lamp housing until it is completely tilted open.



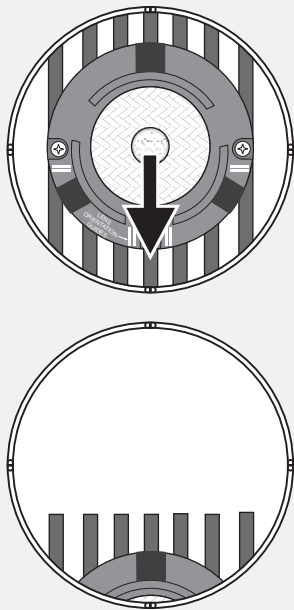
NOTE: Lamp housing can rotate 361° horizontally.

- 2 If necessary, orient the lamp housing toward the electrical box door by pulling the rotation lock down.
- 3 Rotate the lamp housing horizontally and orient the housing so that the transformer access door is within reach.
- 4 Push the rotation lock up to lock the lamp housing in place.

SKIP TO SECTION 4

## Wall Wash and Low-Profile Housing Preparations

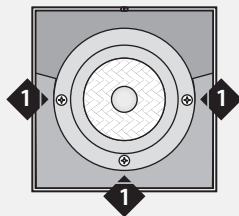
2A



- 1 Slide the lamp housing completely out of the aperture to gain access to the transformer access door.

## Downlight Housing Preparation

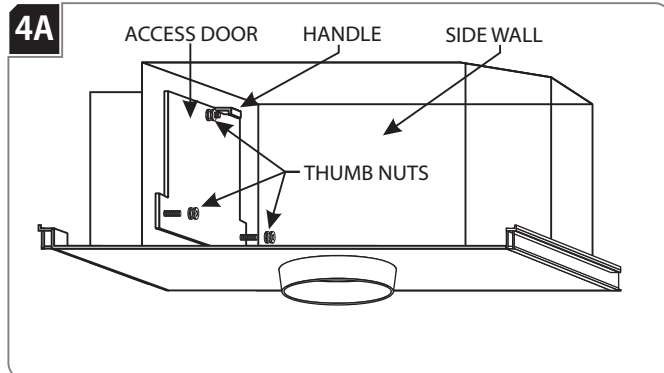
3A



- 1 Loosen all three screws from the lamp assembly and lower the lamp assembly to gain access to the transformer access

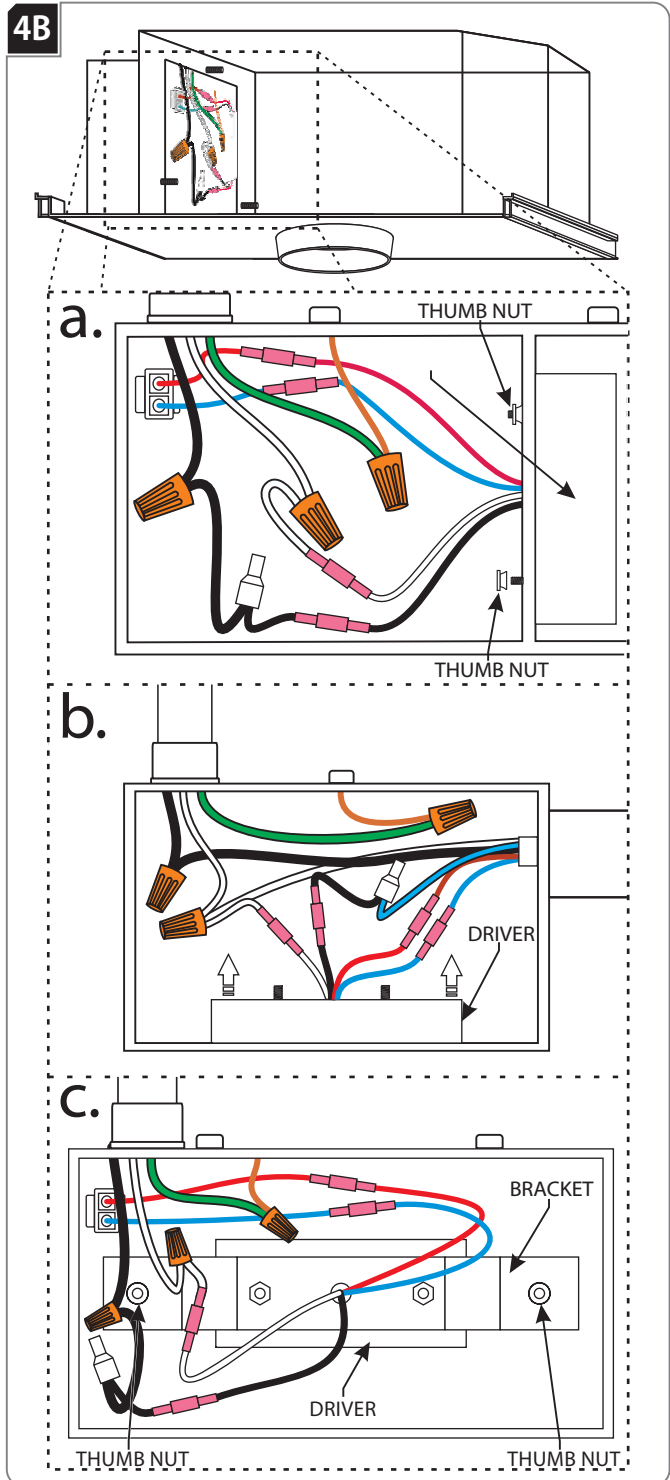
## Replace Transformer

4A



- 1 Remove the three thumb nuts and remove the access door by pulling on its handle; temporarily place it on the side wall.

4B

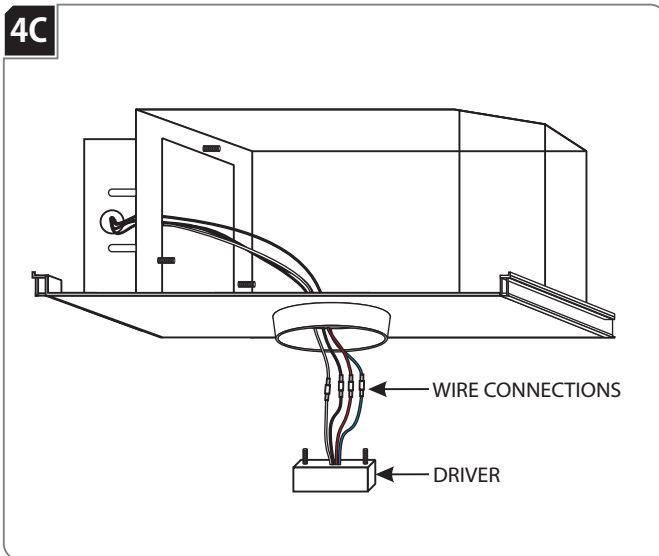


- 2 Depending on the fixtures housing remove the driver by:

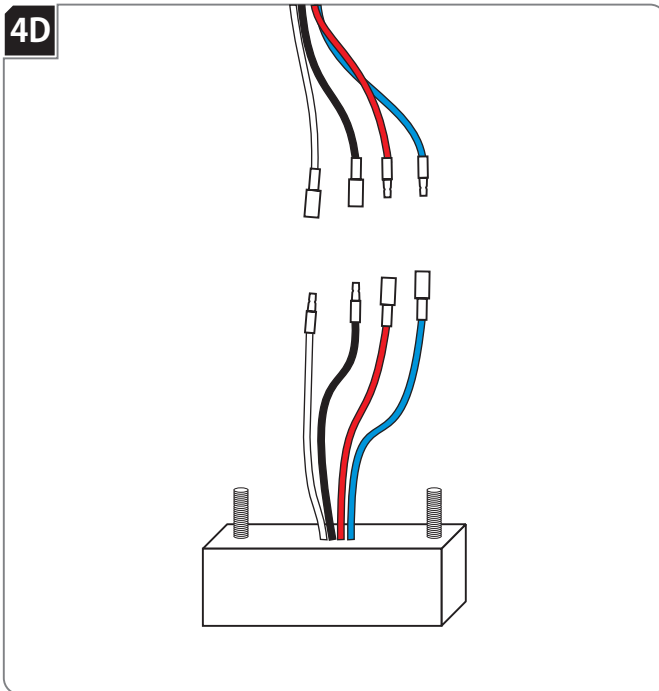
a. **Chicago Plenum, IC, and Non-IC:** Remove the two thumb nuts inside the electrical box to remove the driver.

b. **Low Profile Non IC:** The driver is secured by Velcro; gently pull the housing off of the electrical box.

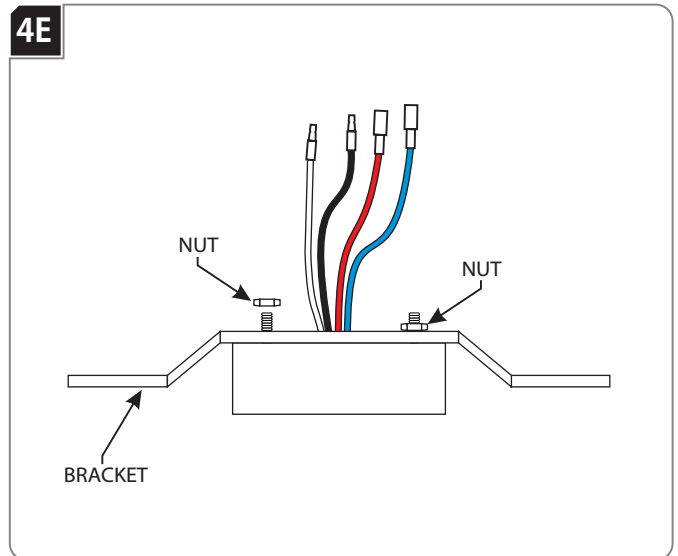
c. **Adjustable Chicago Plenum and Element 4":** The driver is secured to the access door via bracket; remove the thumb nuts on the outer side of the bracket to loosen the bracket assembly.

**4C**

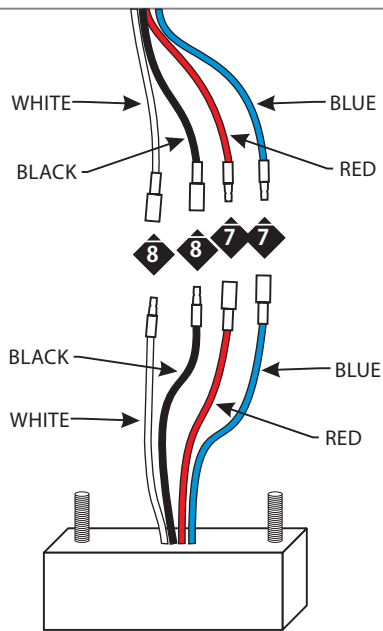
- 3 Slowly pull the wires out of the housing until the driver and wire connections can be accessed below the ceiling.

**4D**

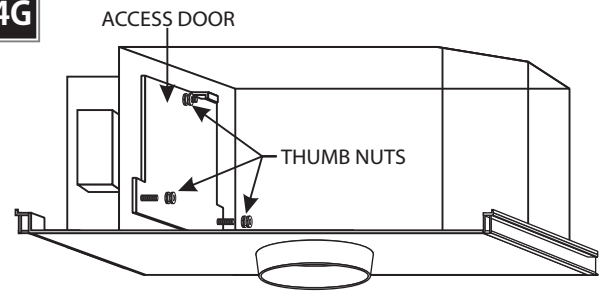
- 4 Take note of the wire connections and uninstall the old driver by disconnecting each wire connectors.

**4E**

- 5 For Adjustable Chicago Plenum E3" and All E4" Housings, remove the old driver on the bracket by unscrewing and removing the 2 bracket nuts.
- 6 Slide the new driver onto the bracket and secure it with the two bracket nuts.

**4D**

- 7 Snap the new driver low voltage wire connectors with female terminals onto the fixture low voltage wire connectors with male terminals. **Make sure that these wires are properly connected.**
- 8 Snap the driver wire connectors with male terminals respectively into the fixture white and black connectors with female terminals. **Make sure that these wires are properly connected.**
- 9 Push the wires and driver into the housing.
- 10 Carefully push the driver wires into the electrical box.
- 11 Depending on the specific housing, reinstall the driver housing/driver by reversing section 4B.

**4G**

- 12 Properly replace the access door onto the three threaded studs and secure tightly with the three thumb nuts.
- 13 Refer back to the appropriate model section (Section 1-3) and reverse the instructions to complete the installation.

NOTE: Readjust settings for the lamp holders accordingly.

**SAVE THESE INSTRUCTIONS!**

**ELEMENT**  
a brand of TECH LIGHTING®

7400 Linder Ave, Skokie, IL 60077  
847.410.4400

**www.element-lighting.com**

© 2016 Tech Lighting, L.L.C. All rights reserved. The "Element" graphic is a registered trademark of Element. Element reserves the right to change specifications for product improvements without notification.

A Generation Brands Company