

Verse Ceiling Housing

700VERSE_

1.0

CAUTION - RISK OF FIRE

This product must be installed in accordance with the applicable installation code by a person familiar with the construction and operation of the product and the hazards involved.

Use minimum 90°C supply conductors.

GENERAL PRODUCT INFORMATION:

This product is suitable for damp locations.

This product can be dimmed with a standard electronic dimmer.

This instruction shows a typical installation.

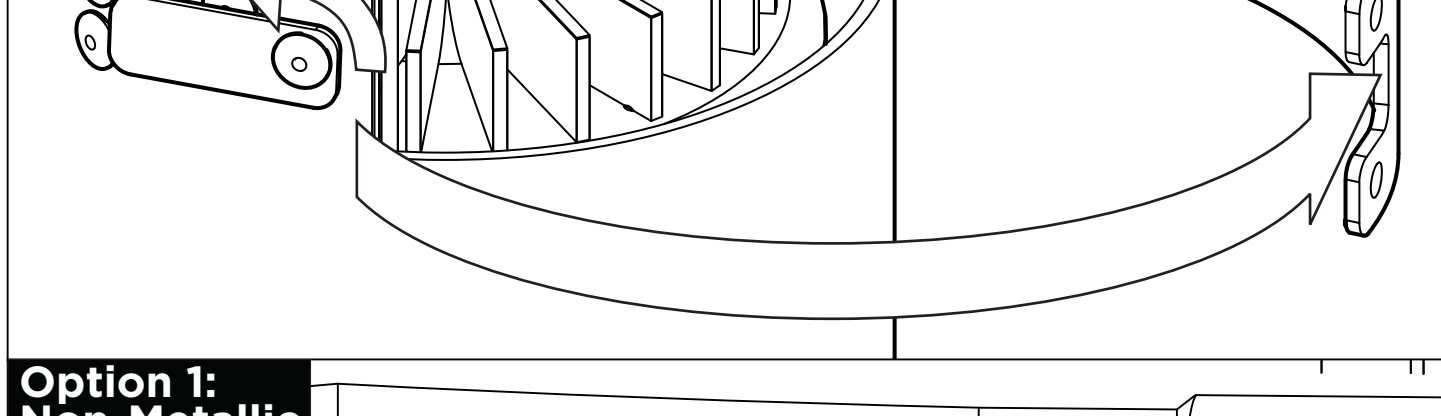
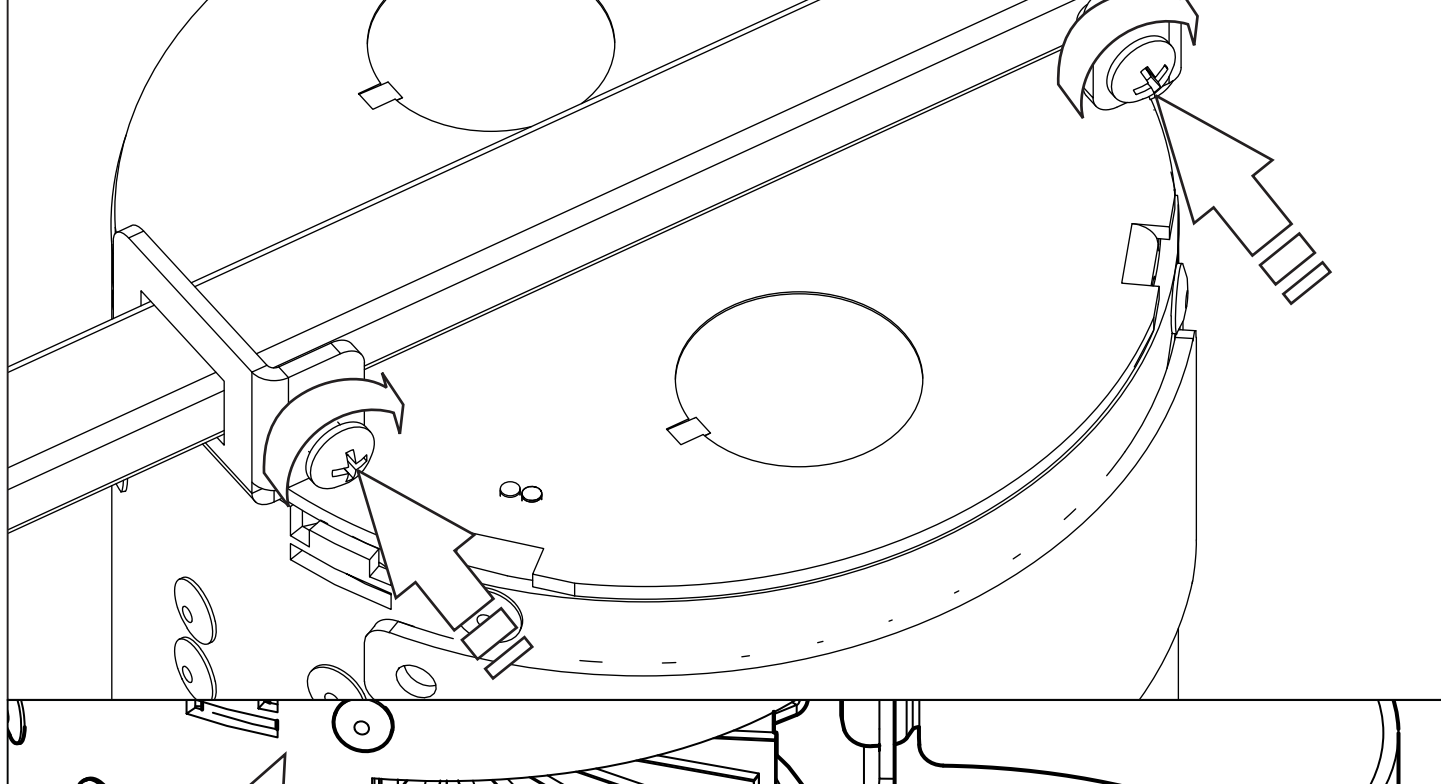
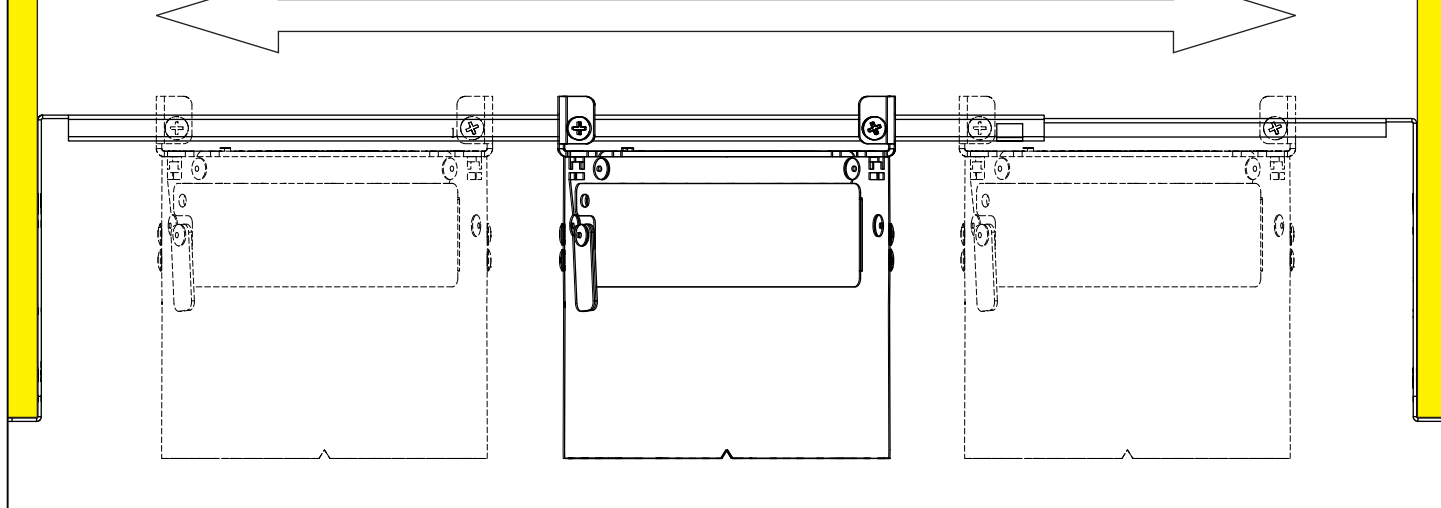
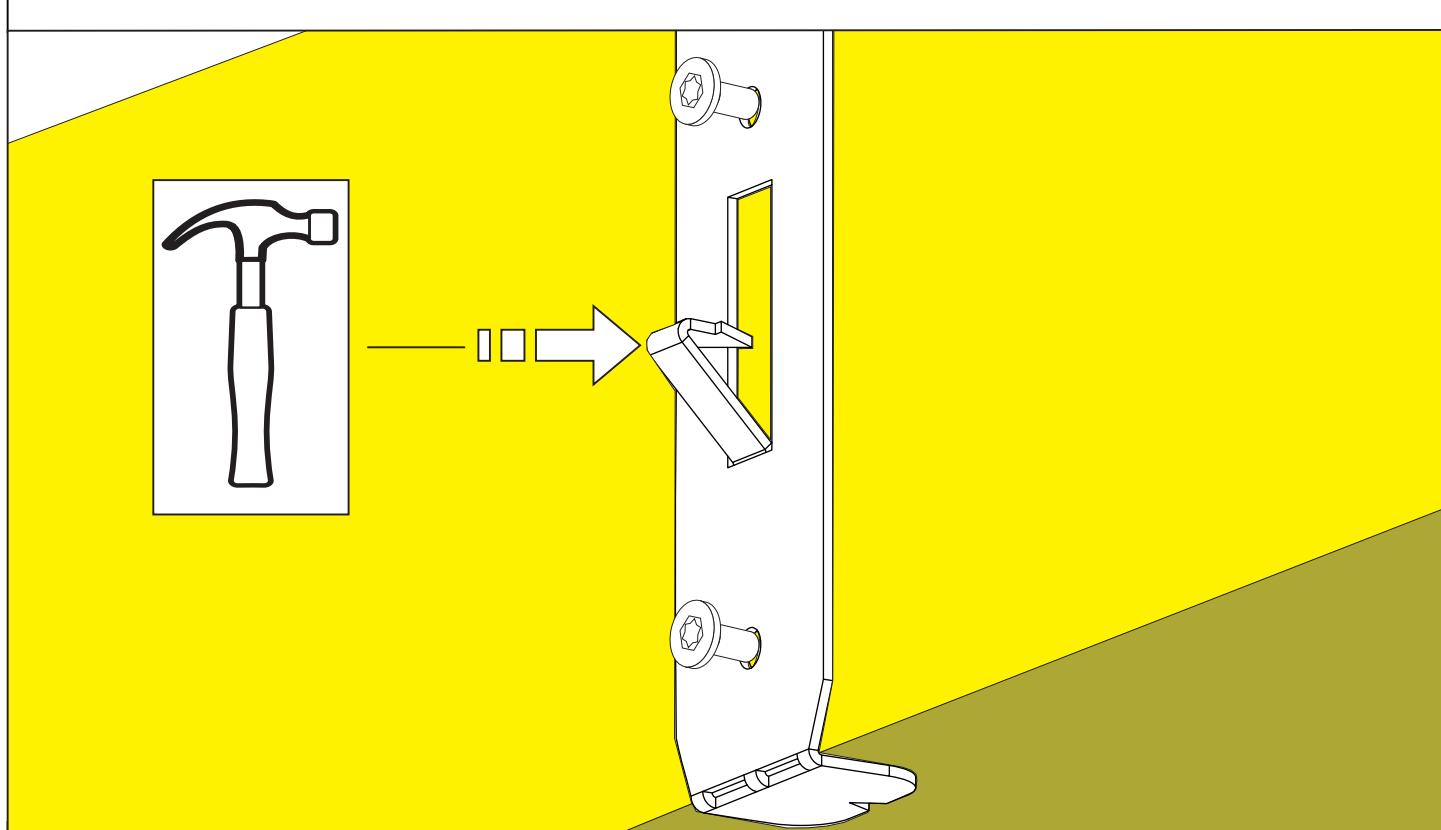
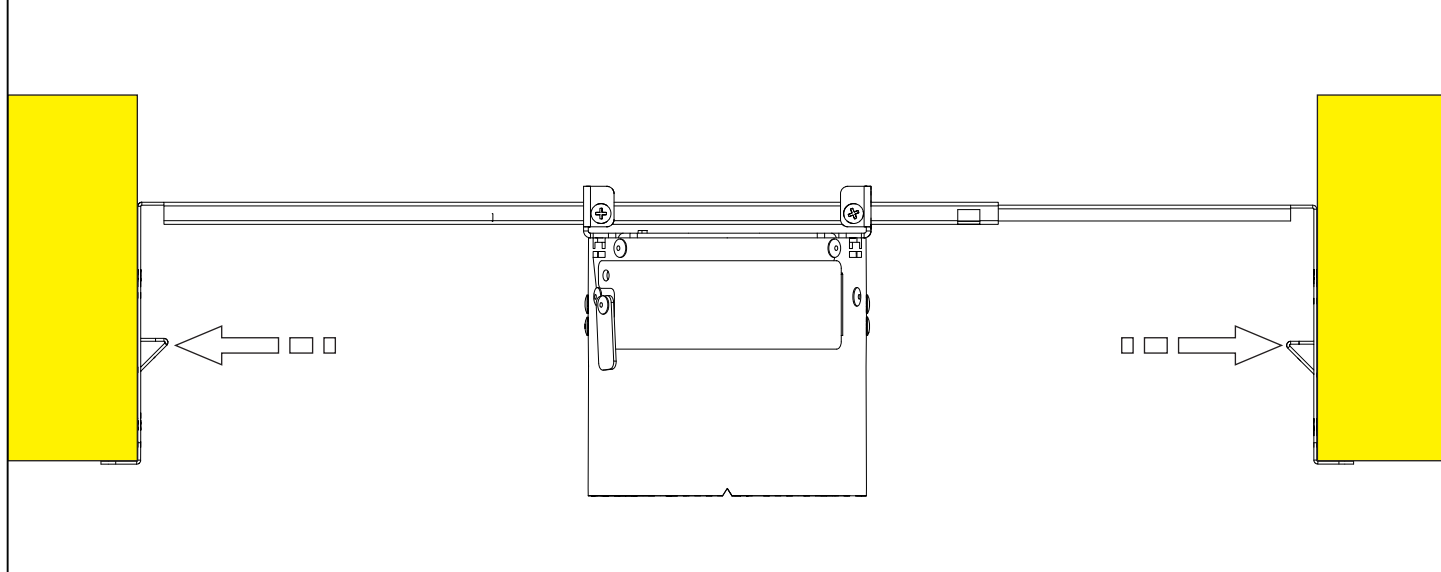


Maximum one incoming and one outgoing 14AWG wire sets allowed.

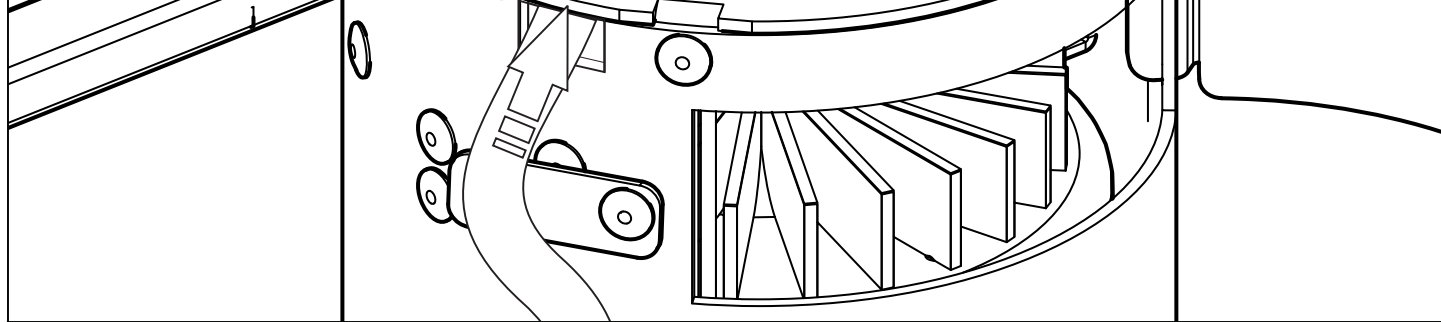
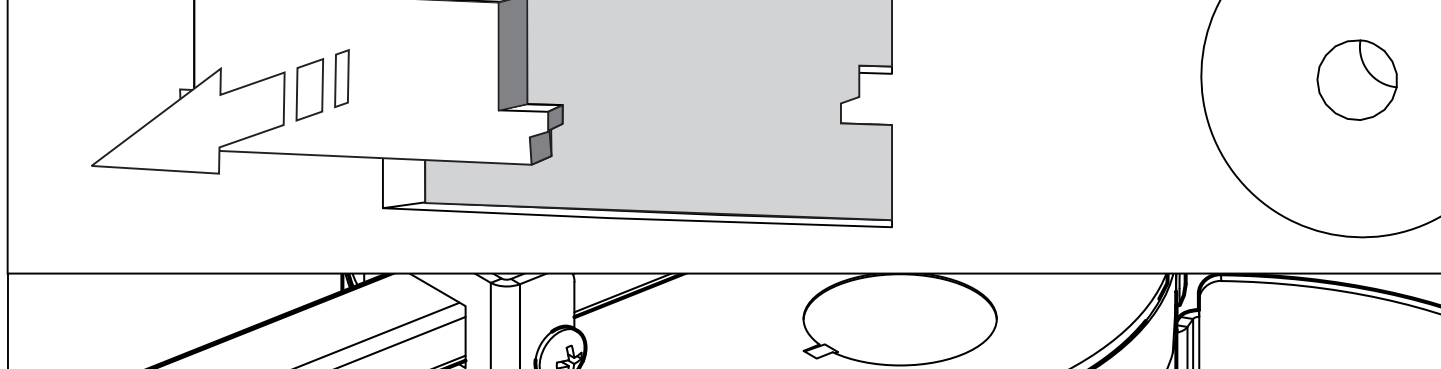
Turn mains power off before installation.

Certified for UL 514A standards, code compliant for use in fire-rated assemblies up to a maximum of 2-hours per International Building Code Section 714

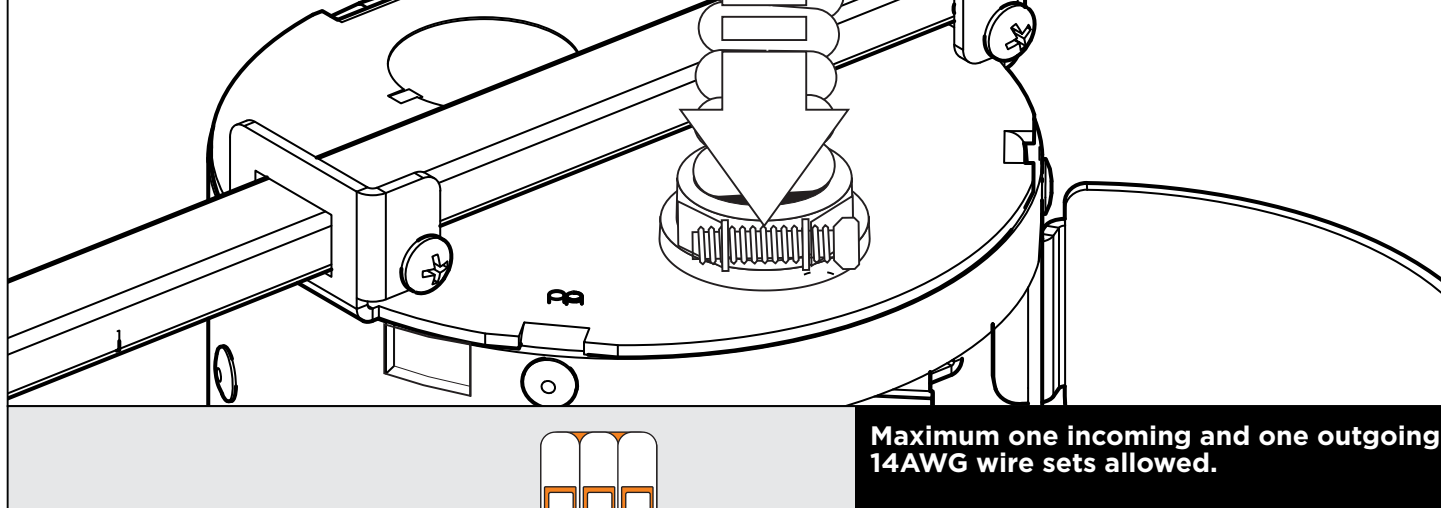
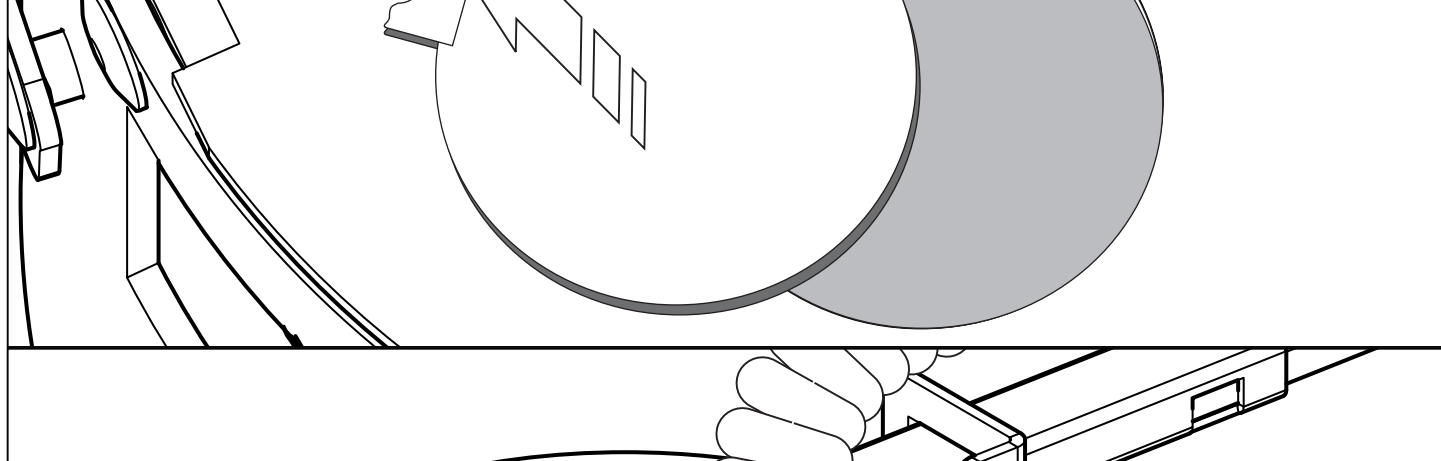
SAVE THESE INSTRUCTIONS!



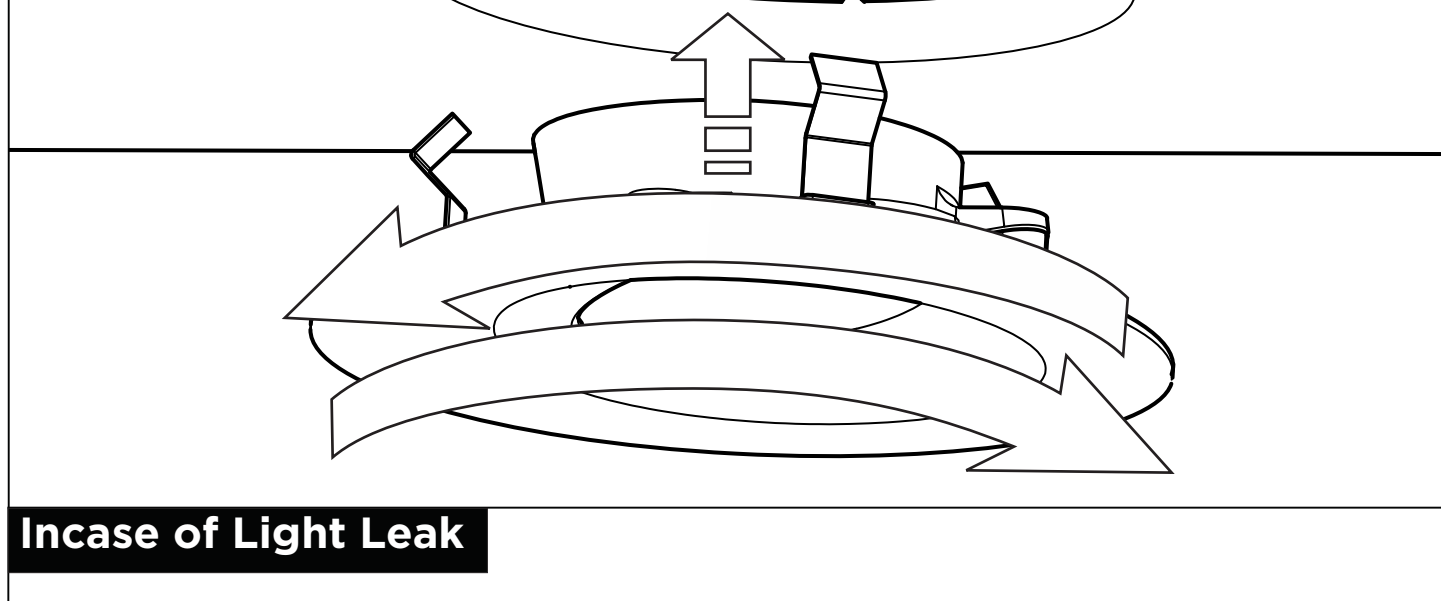
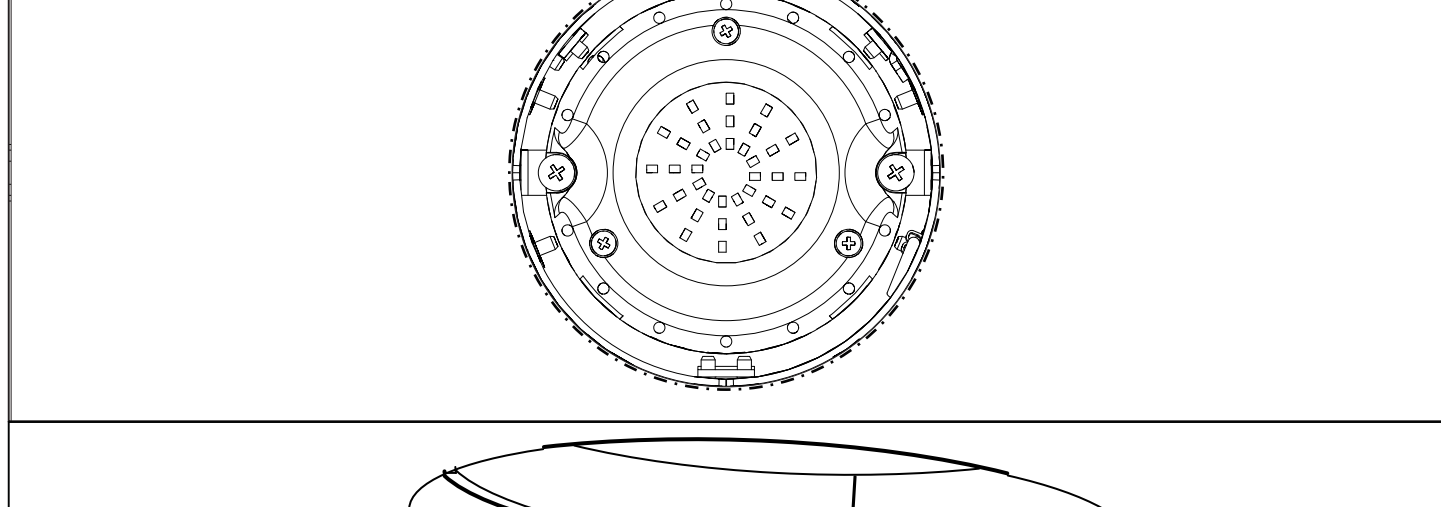
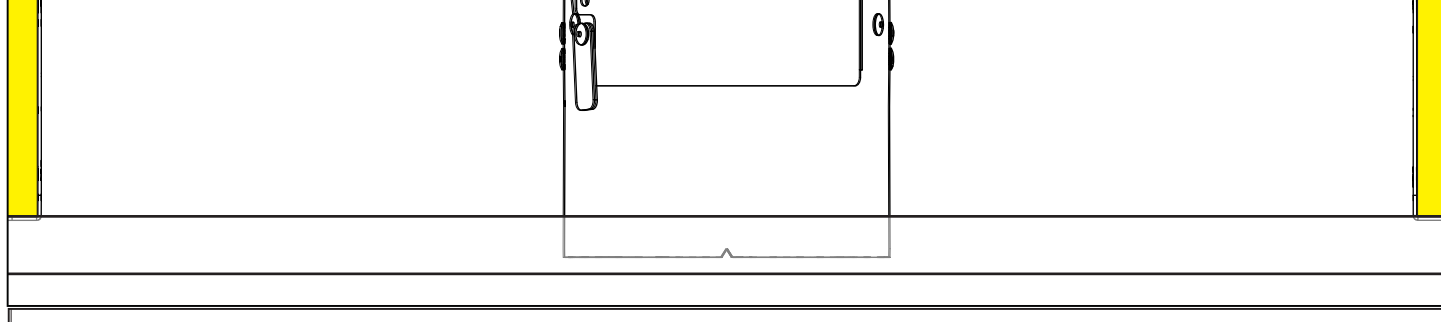
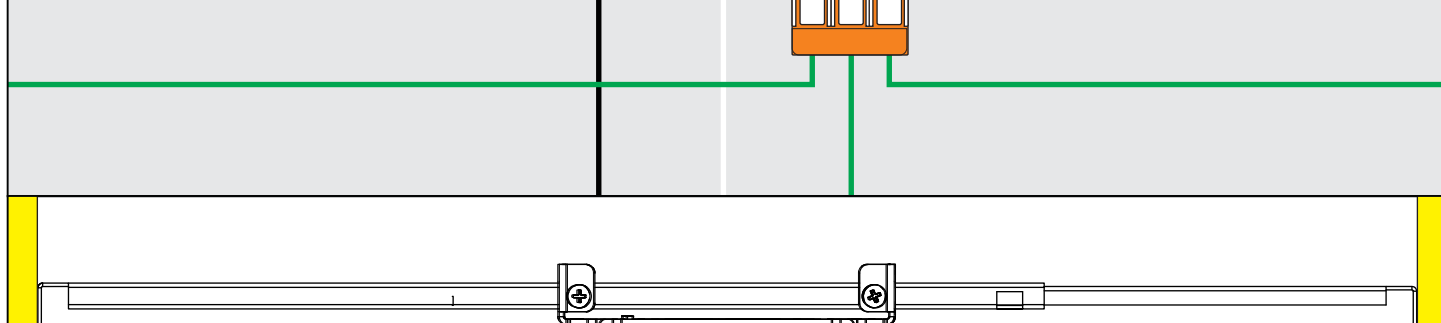
Option 1: Non-Metallic Cable



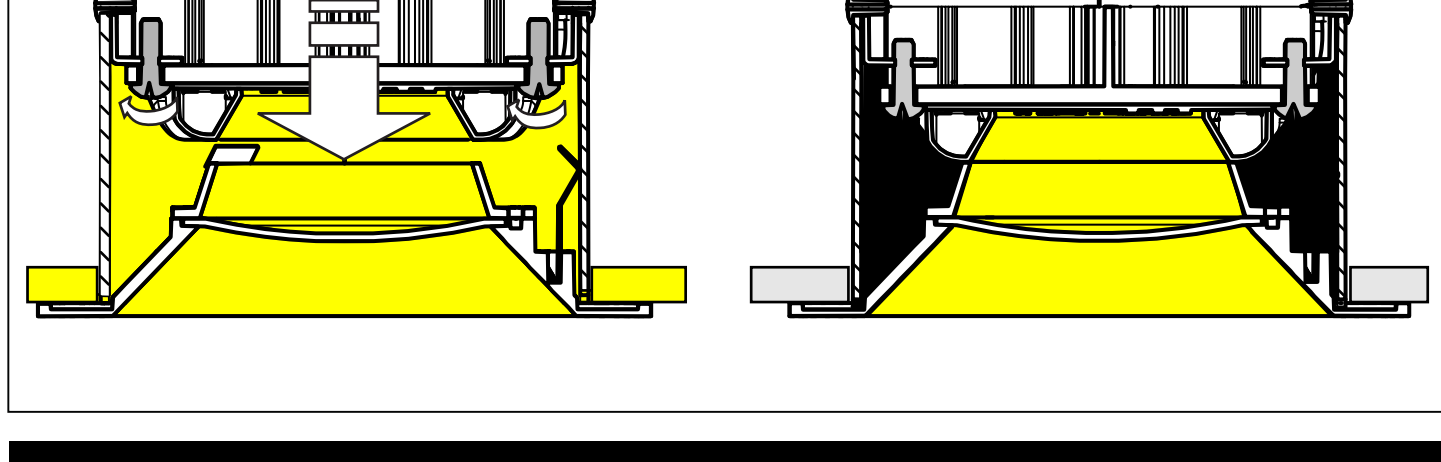
Option 2: Conduit



Maximum one incoming and one outgoing 14AWG wire sets allowed.
Turn mains power off before installation.



Incase of Light Leak



NOTE: Gently twist the trim while pushing it upward into the housing to secure a tight fit. If light leak is occurs, lower the position of the LED by loosening the two large Philips screws until it sets flush with the trim.

Maximum one incoming and one outgoing 14AWG wire sets allowed.

Turn mains power off before installation.