

Verse Remodel Housing

V3R_ 1.0

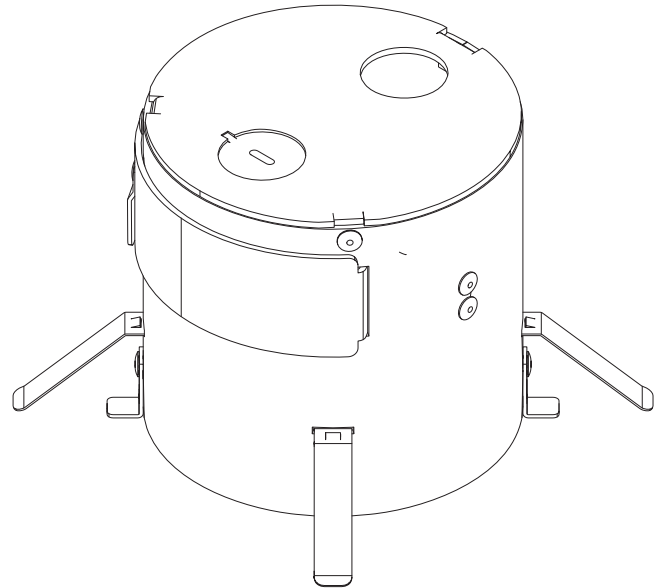


GENERAL PRODUCT INFORMATION:

This product is suitable for indoor locations.

This product can be dimmed with a standard electronic dimmer.

This instruction shows a typical installation.

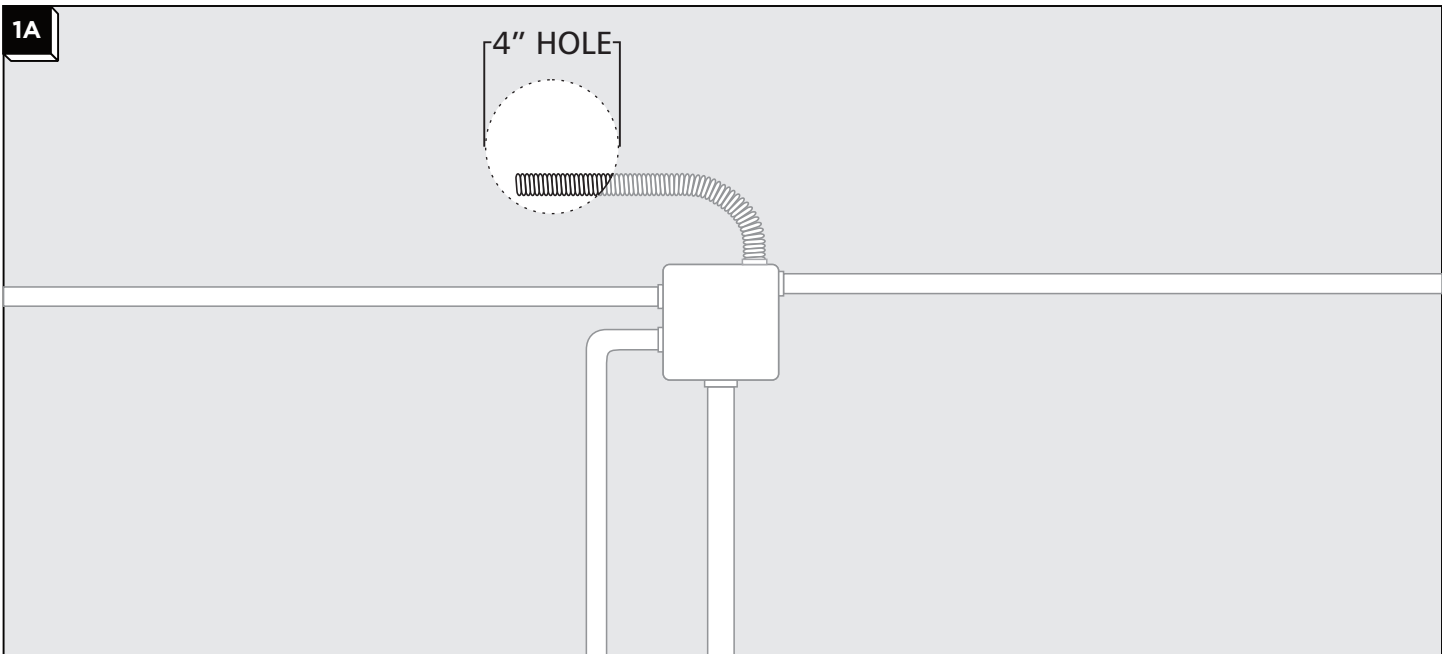


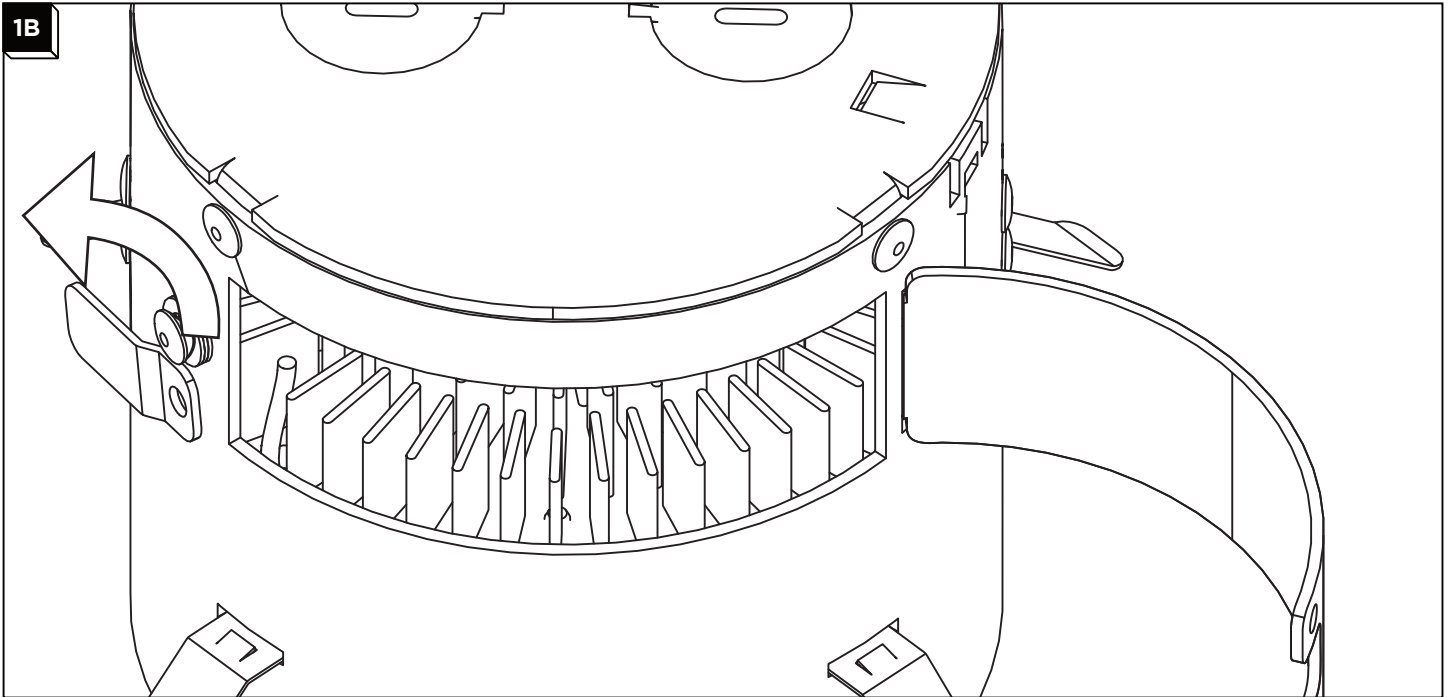
CAUTION - RISK OF FIRE
 This product must be installed in accordance with the applicable installation code by a person familiar with the construction and operation of the product and the hazards involved.
Use minimum 90°C supply conductors.

SAVE THESE INSTRUCTIONS!

This product must be installed by a qualified electrician. Make wiring connections per local codes.
 Maximum one incoming and one outgoing 14AWG wire sets allowed.
 Turn mains power off before installation.

Prepare for Installation



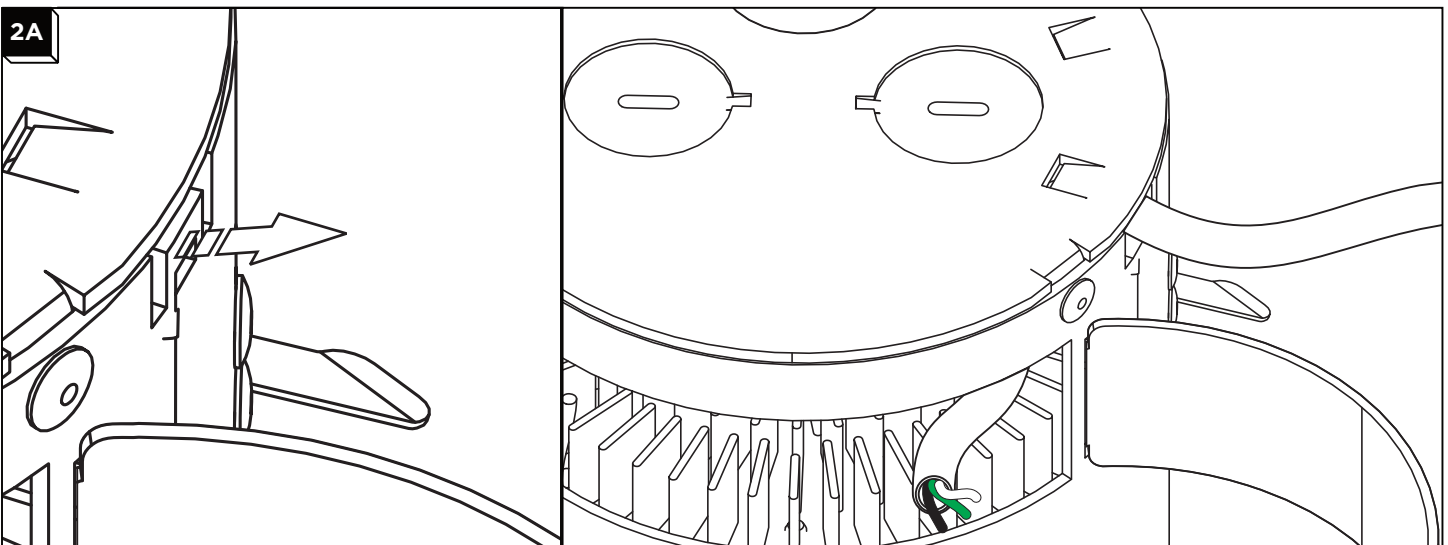


Continue to the section suitable with your installation:

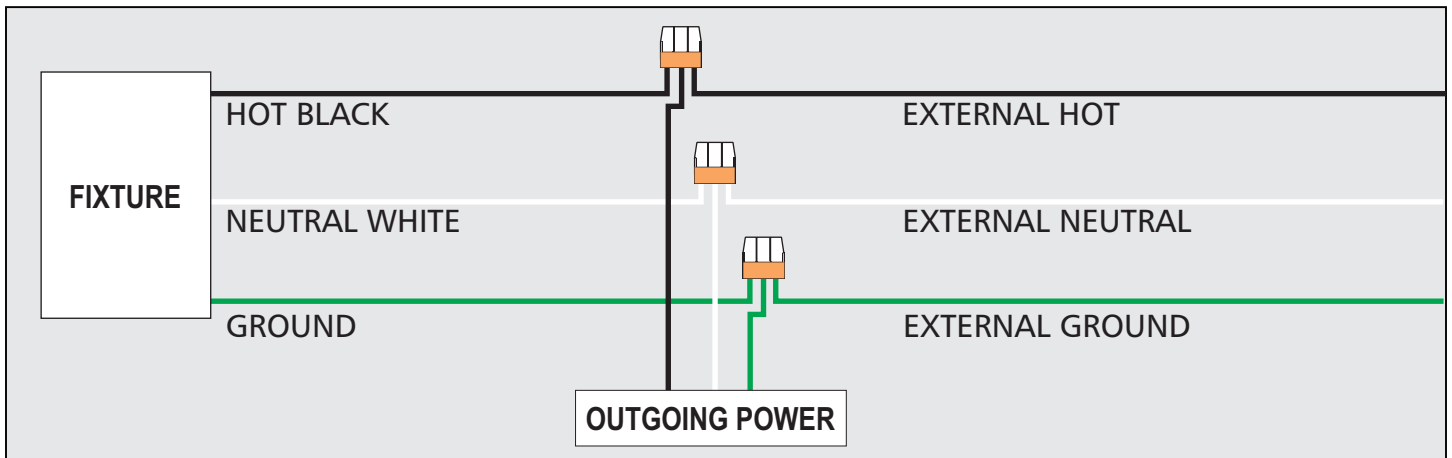
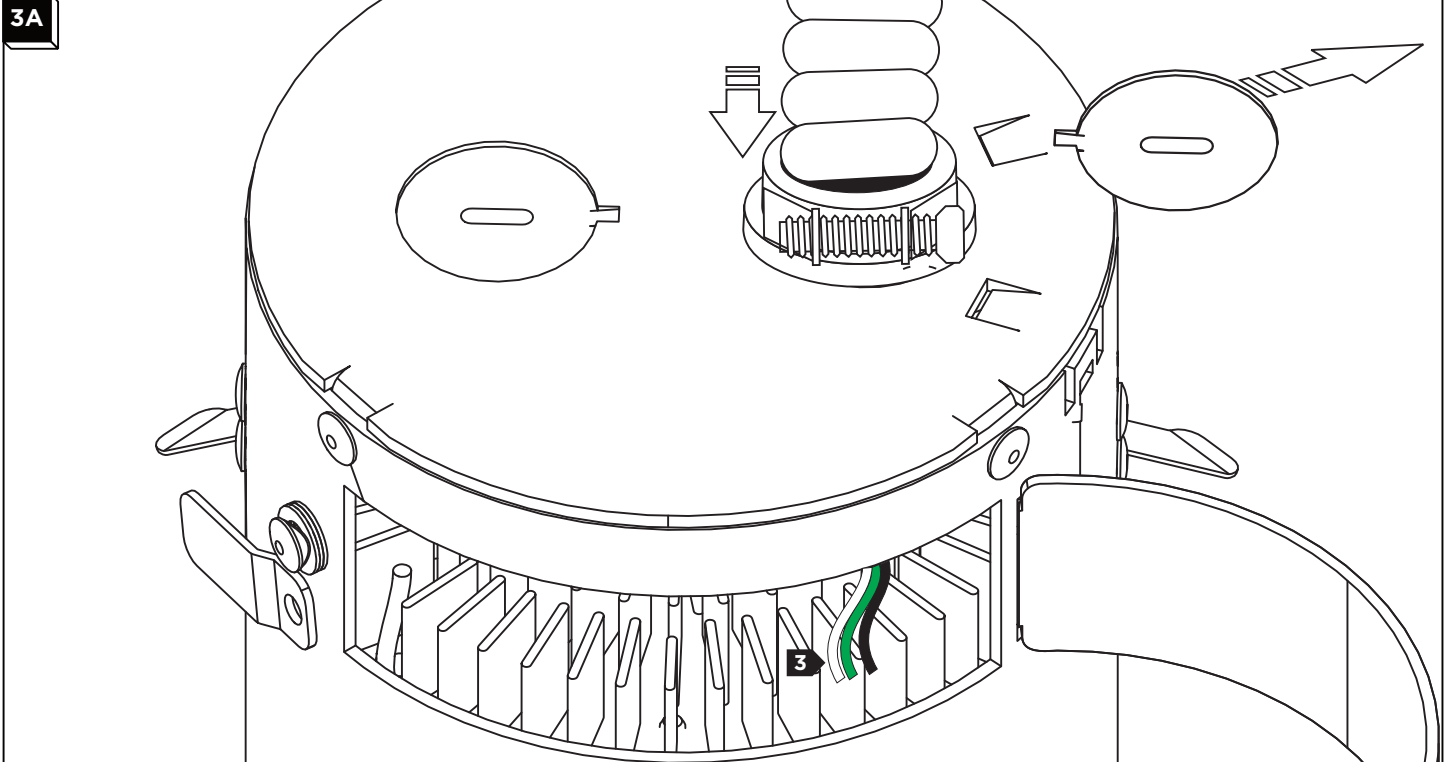
Connect Power to the Housing with A Non-Metallic cable, go to Section 2A.

Connect Power to the Housing with Conduit, go to Section 3A.

Connect Power to the Housing with Non-Metallic Cable



Connect Power to the Housing with Conduit



NOTES

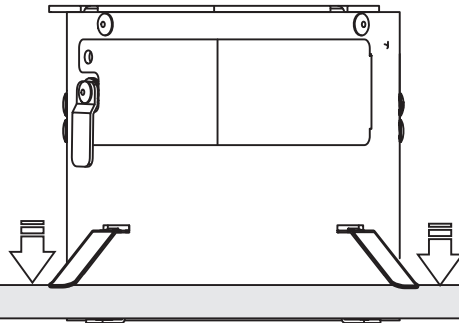
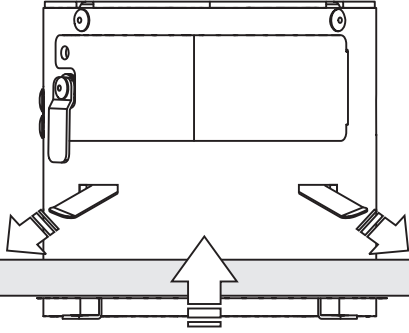
Make wiring connections per local codes.

Maximum one incoming and one outgoing 14AWG wire sets are allowed.

Close electrical access door and latch securely in place.

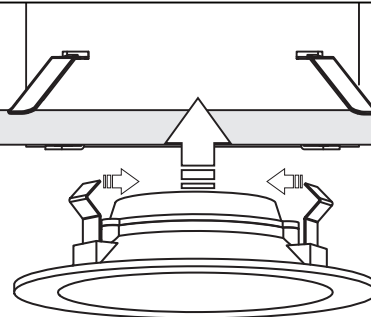
Install the Fixture in the Ceiling

4A



Install the Trim

5A



 **TECH LIGHTING**

7400 Linder Ave., Skokie, IL 60077

T 847.410.4400 | F 847.410.4500

www.techlighting.com