

CAUTION - RISK OF FIRE

This product must be installed in accordance with the applicable installation code by a person familiar with the construction and operation of the product and the hazards involved.

Use minimum 90°C supply conductors.

Maximum one incoming and one outgoing 14AWG wire sets allowed.
Turn mains power off before installation.

Certified for UL 514A standards, code compliant for use in fire-rated assemblies up to a maximum of 2-hours per International Building Code Section 714

GENERAL PRODUCT INFORMATION:

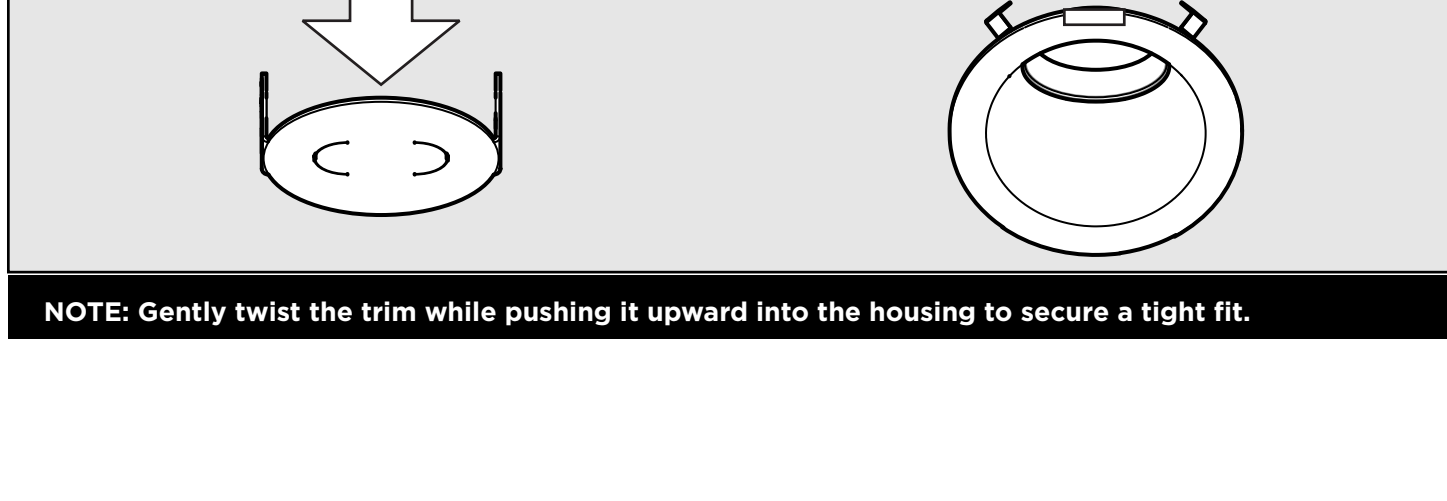
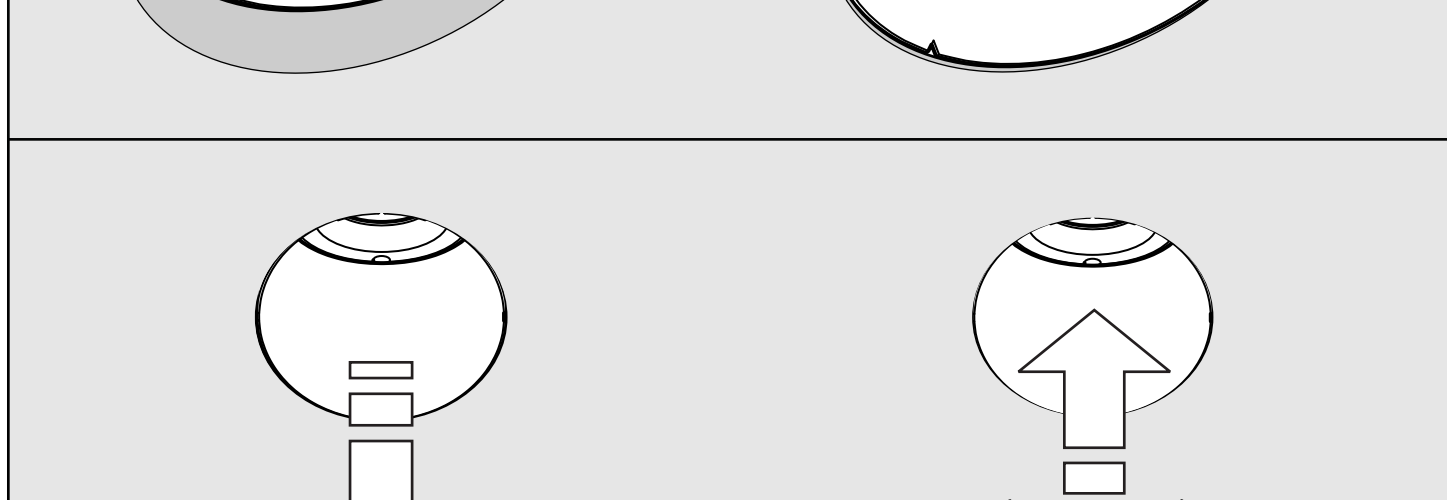
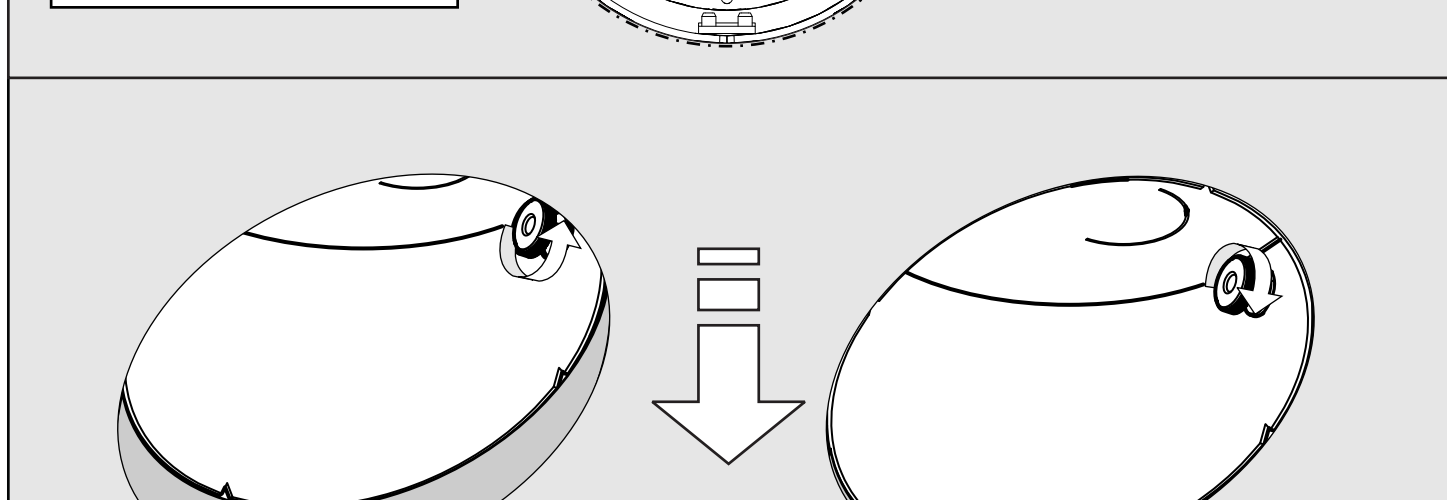
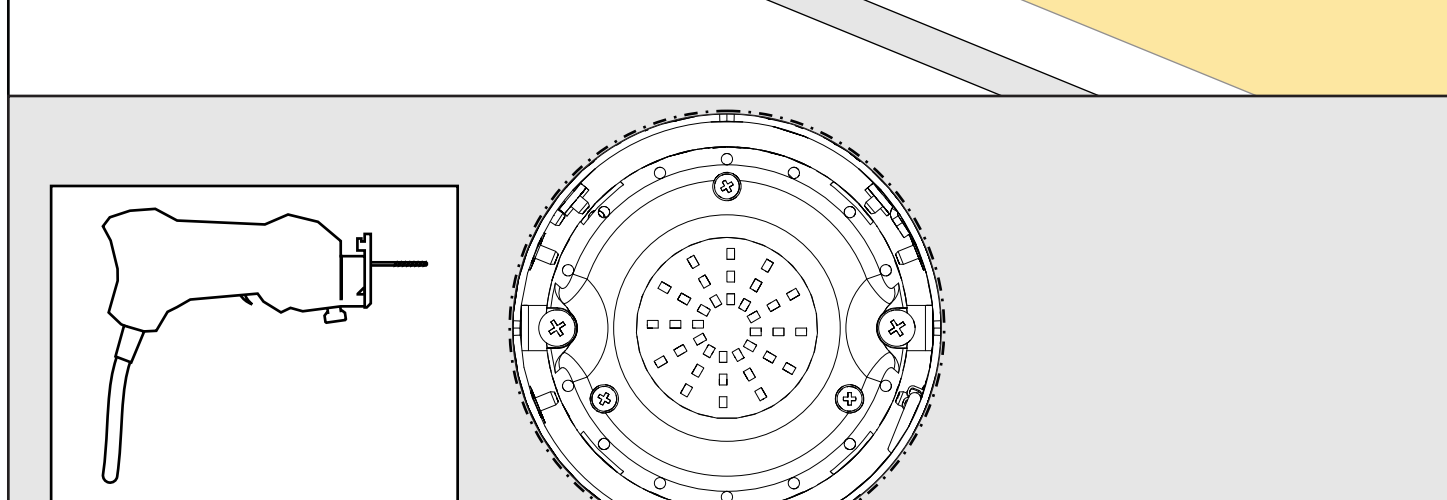
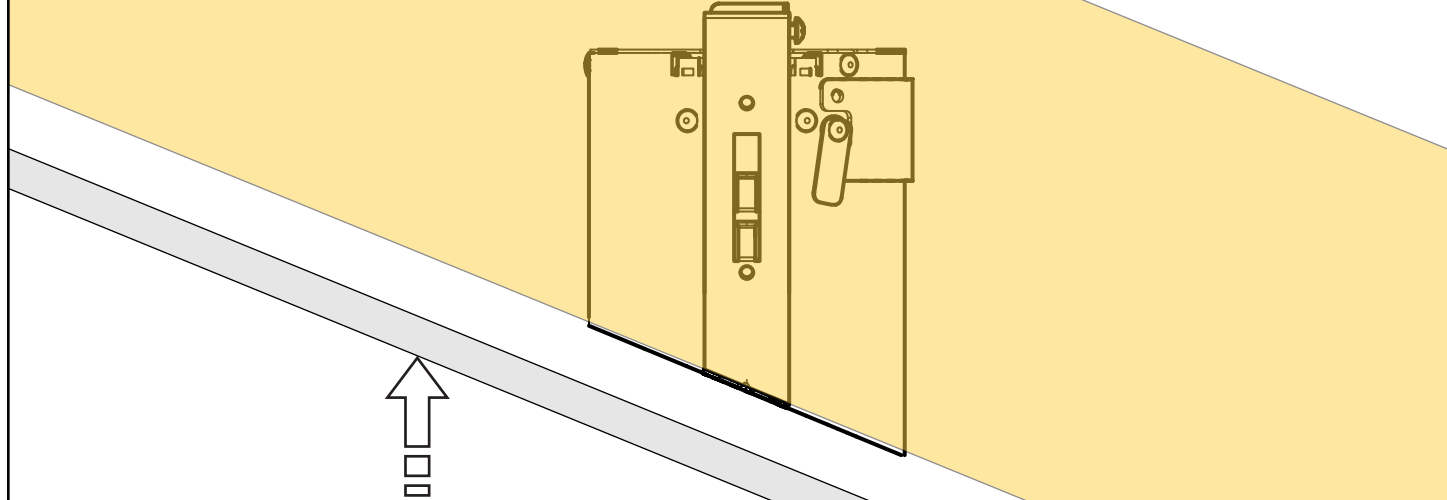
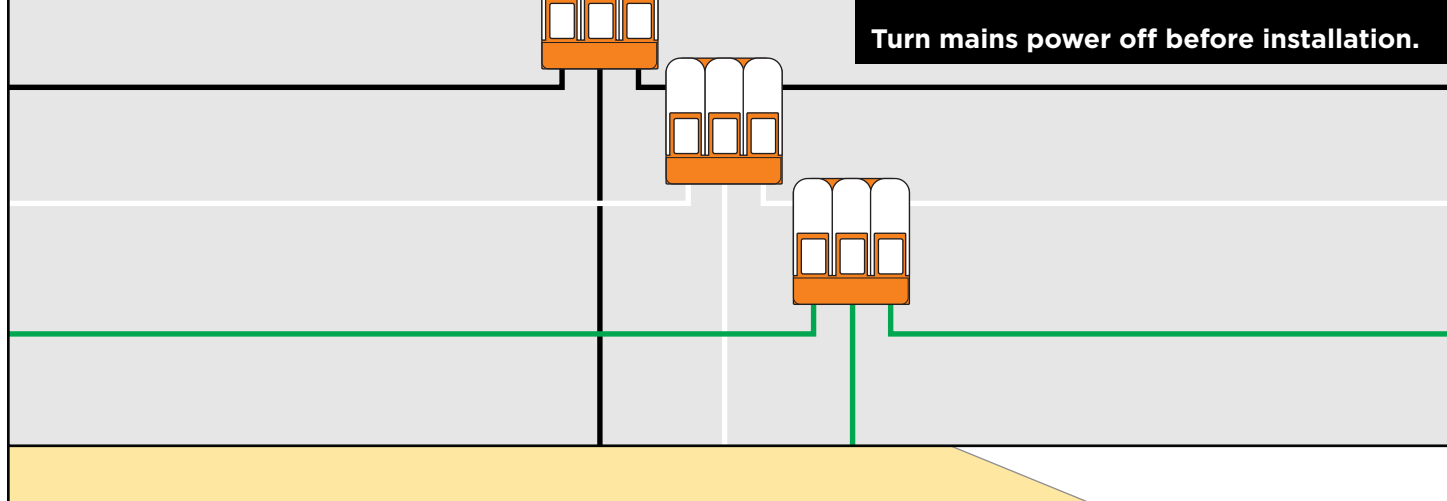
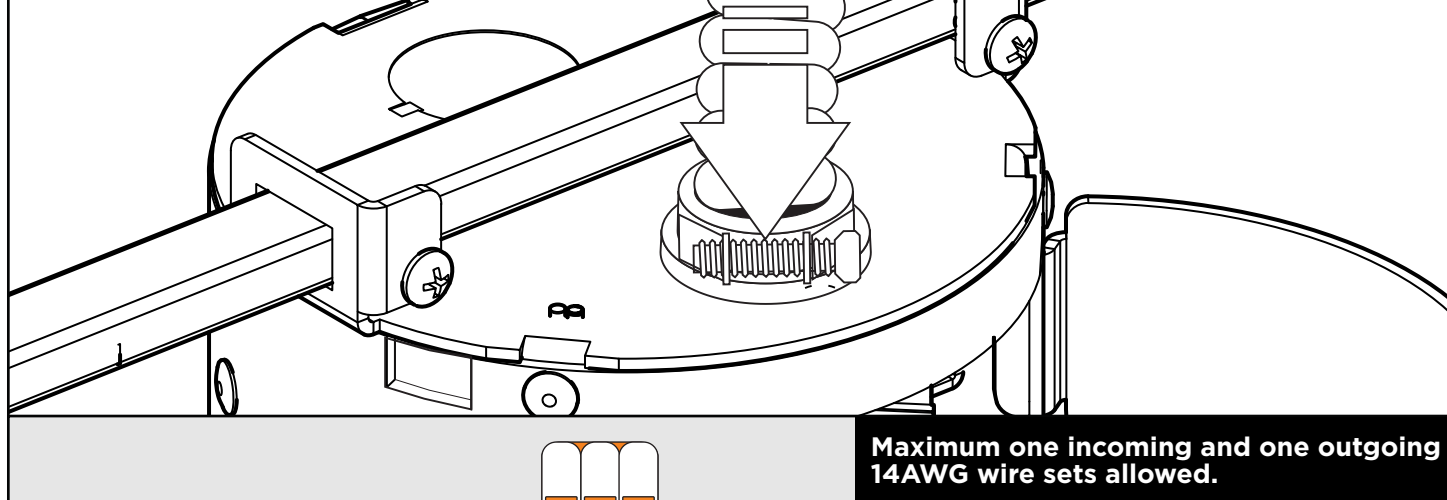
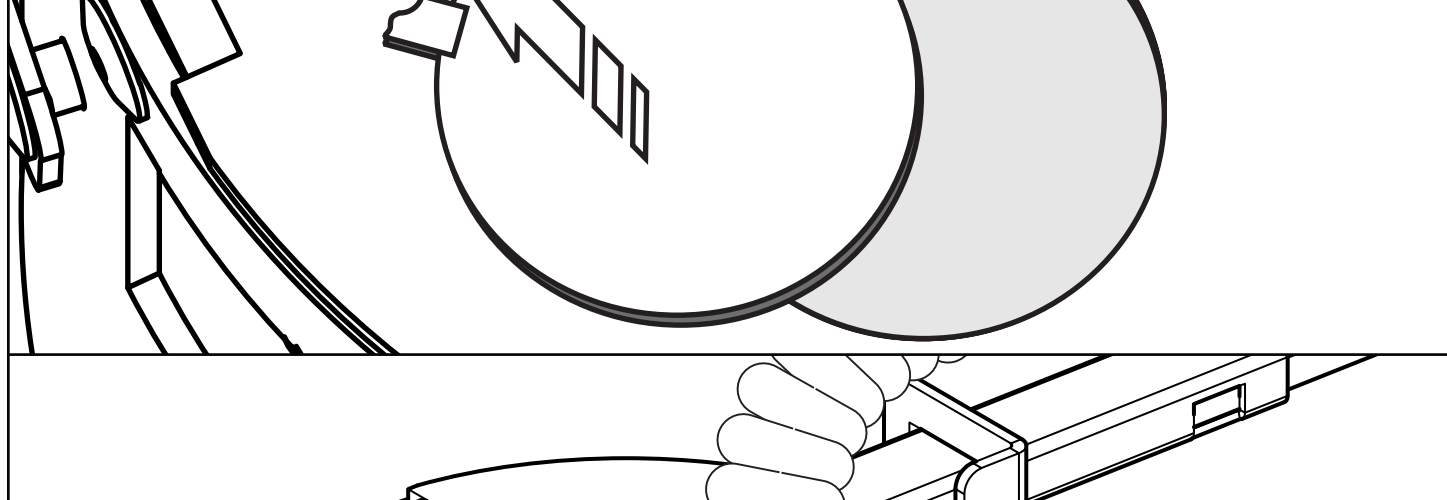
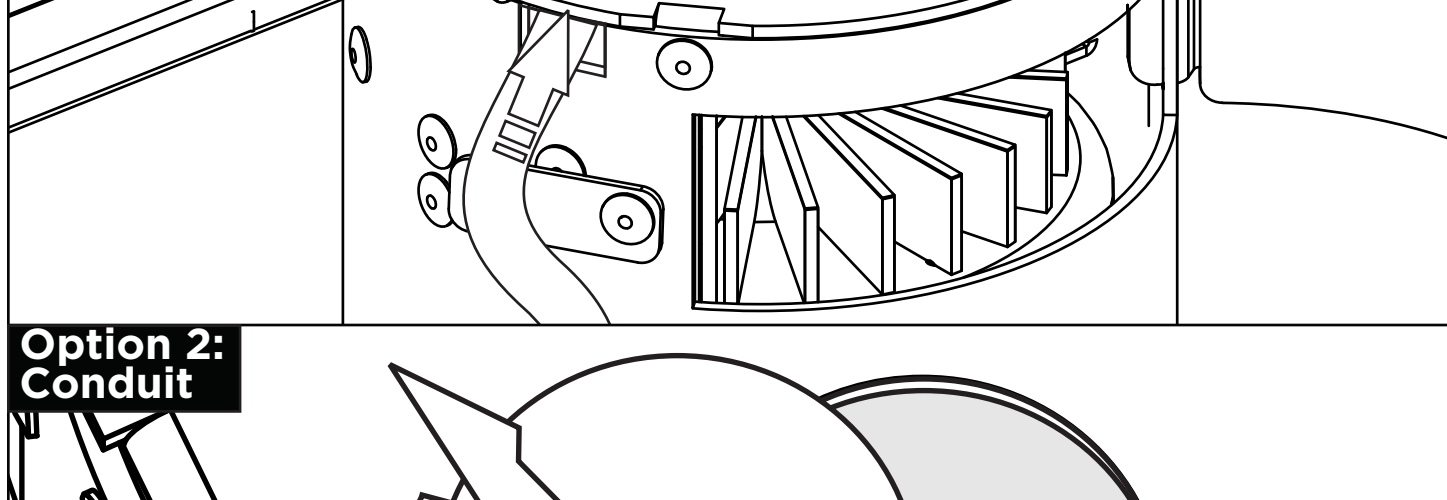
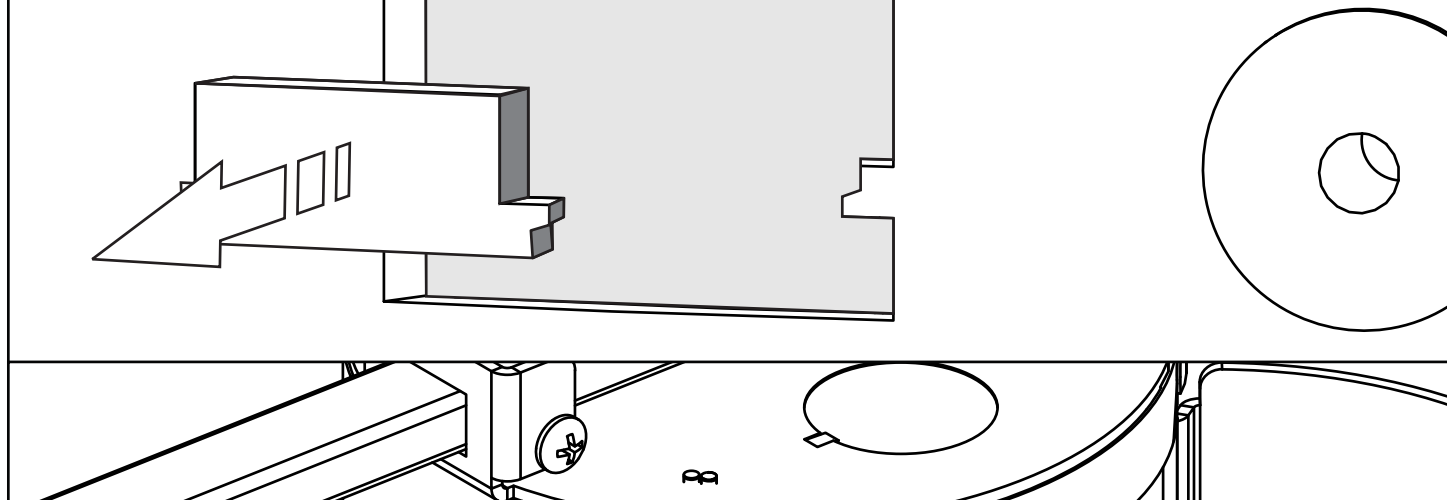
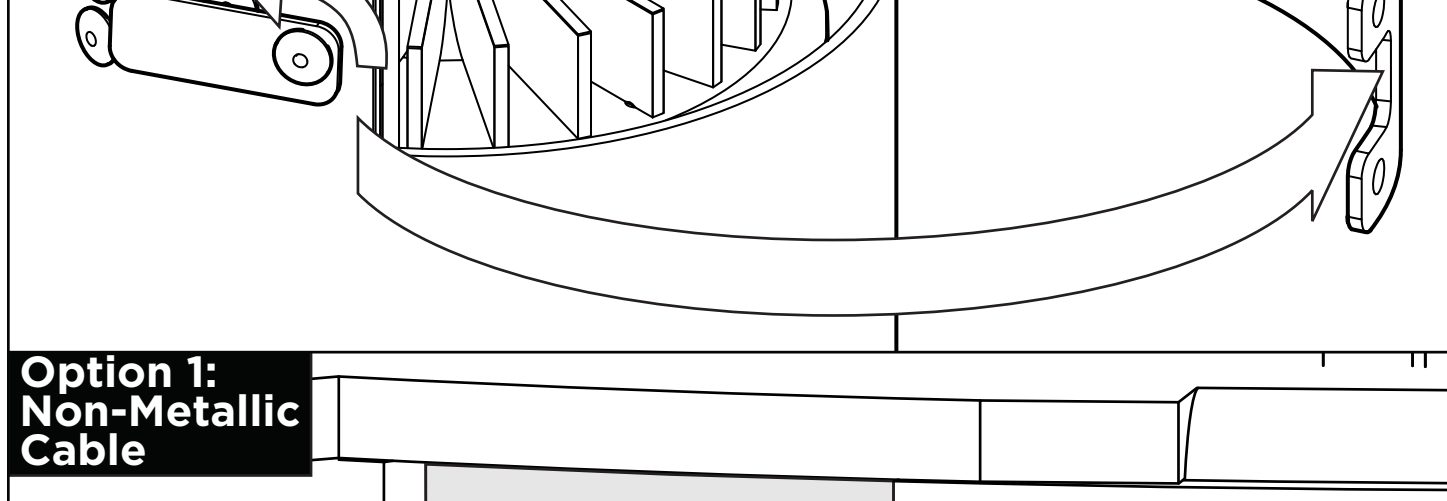
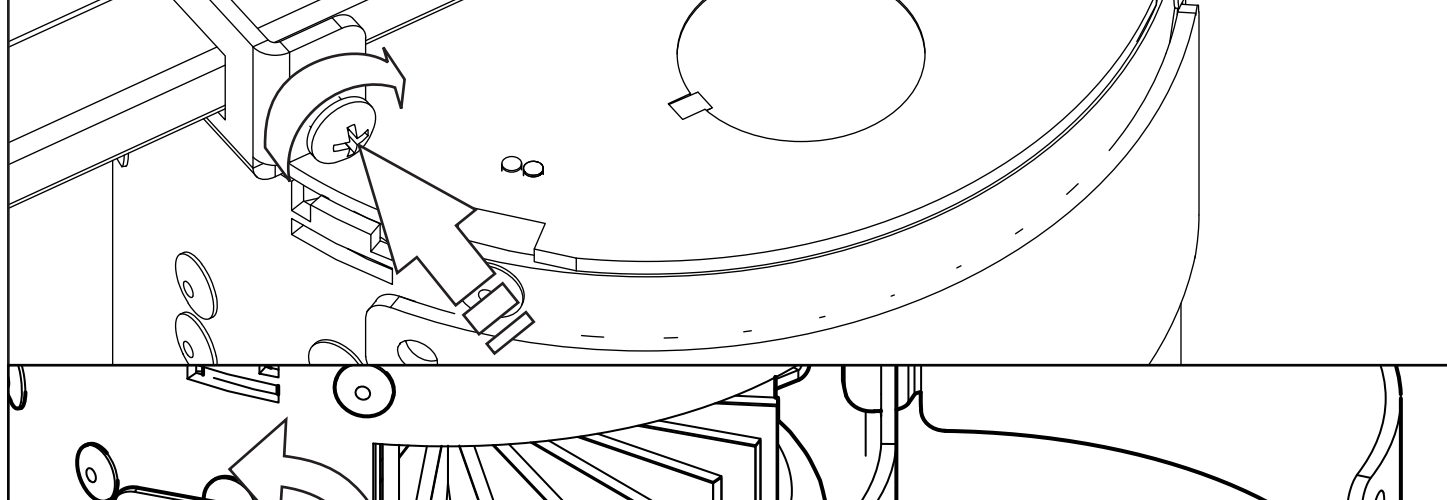
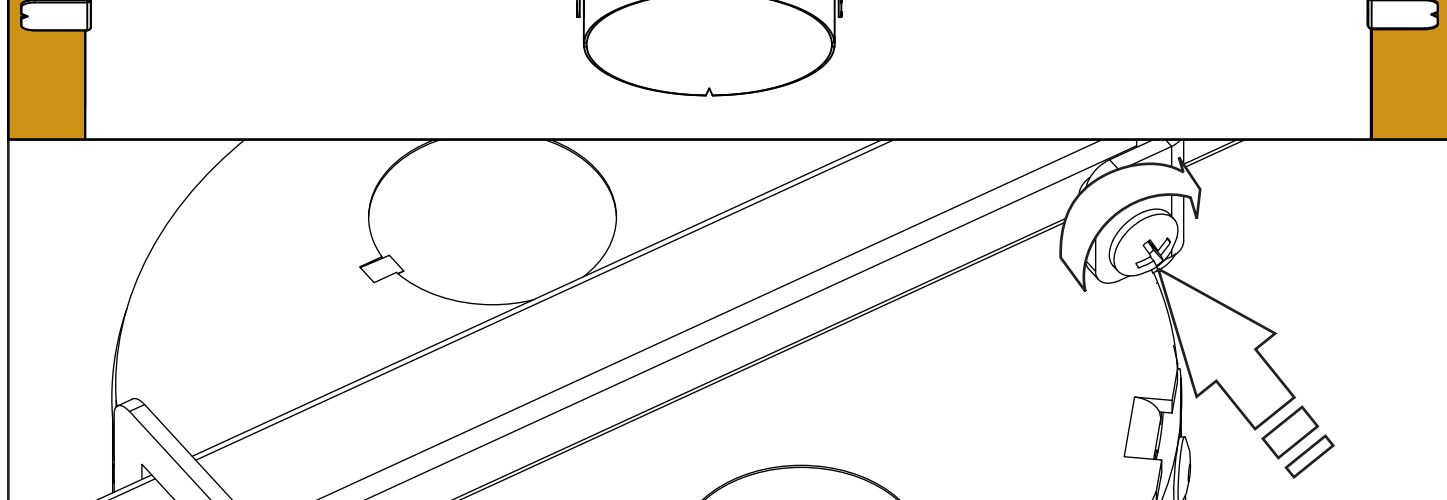
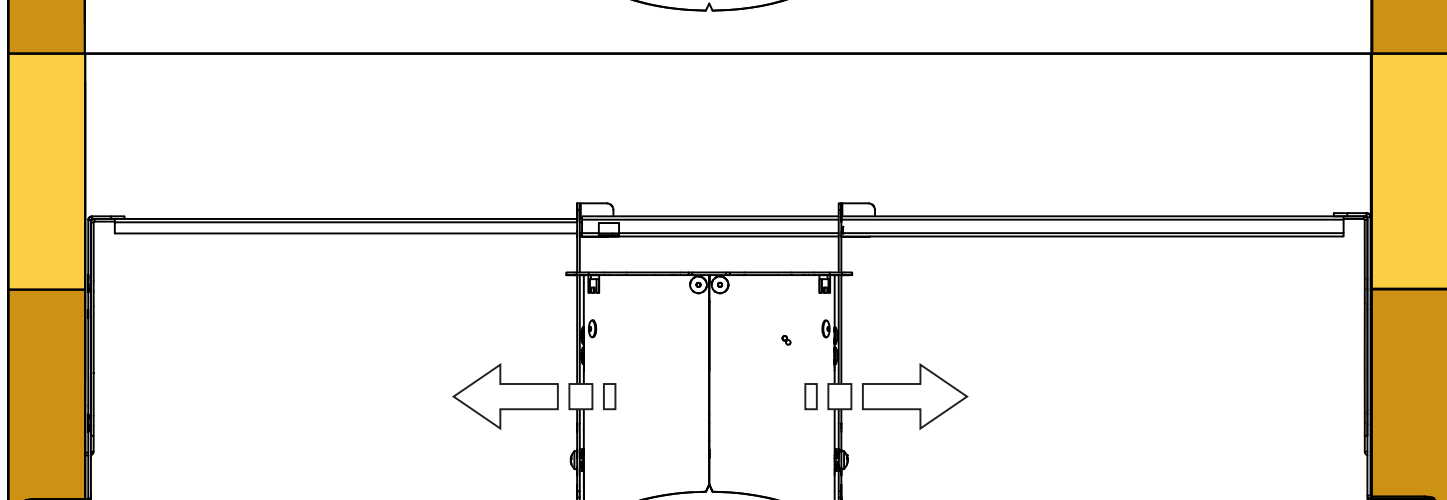
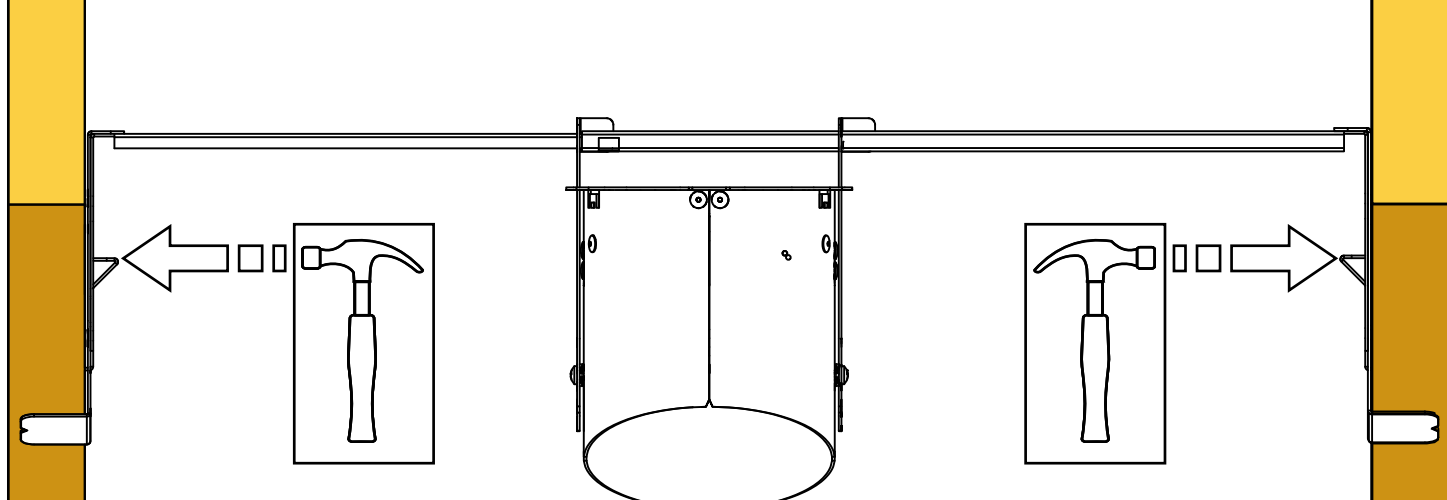
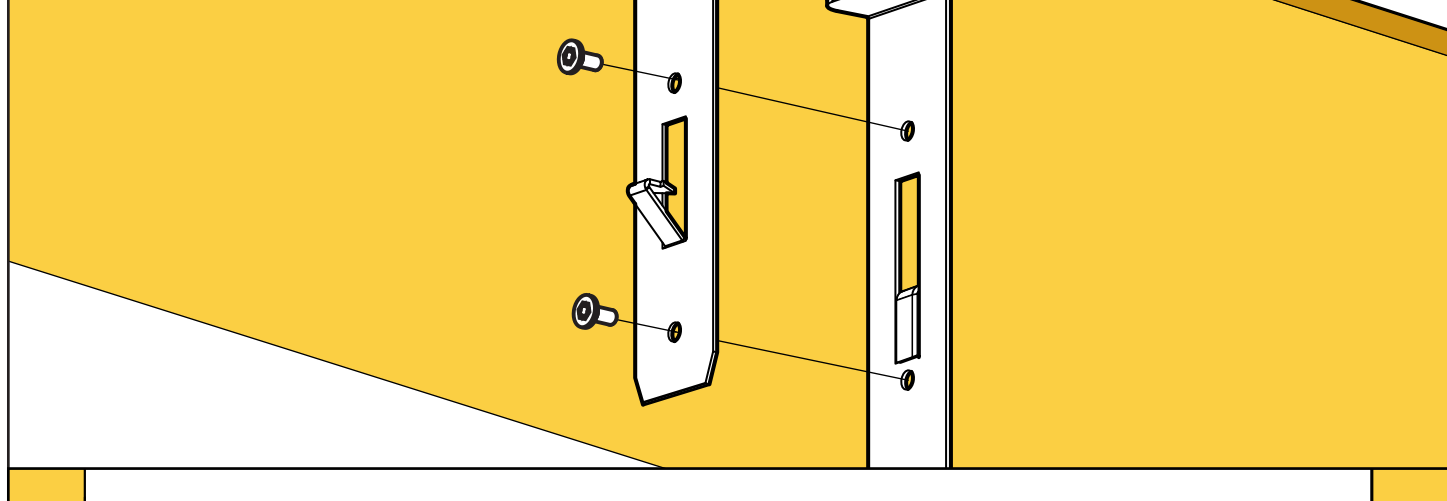
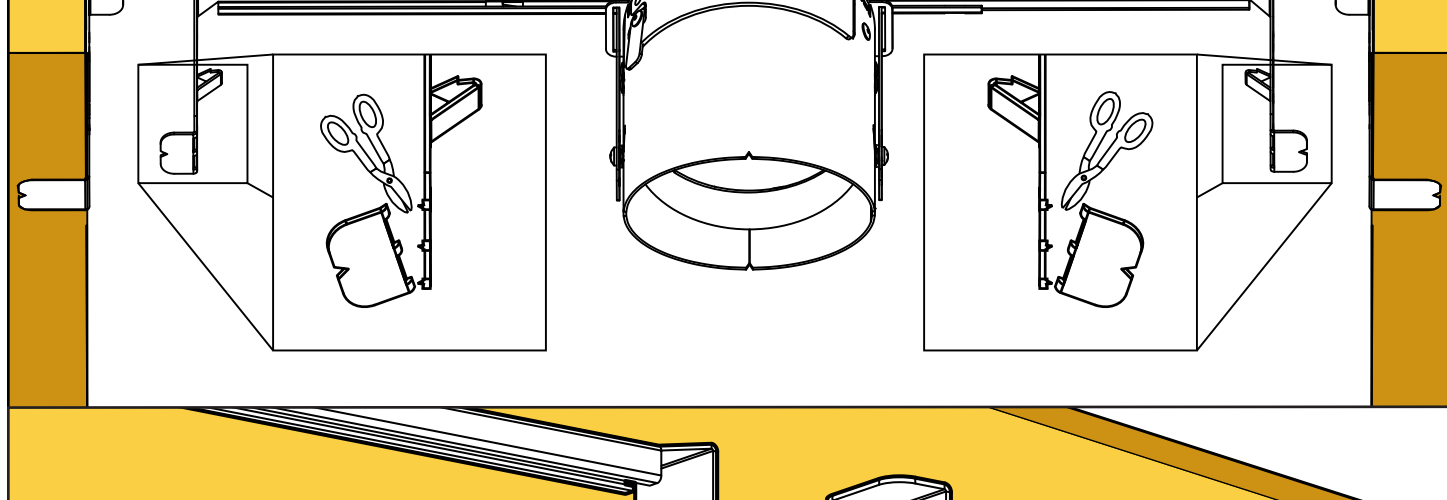
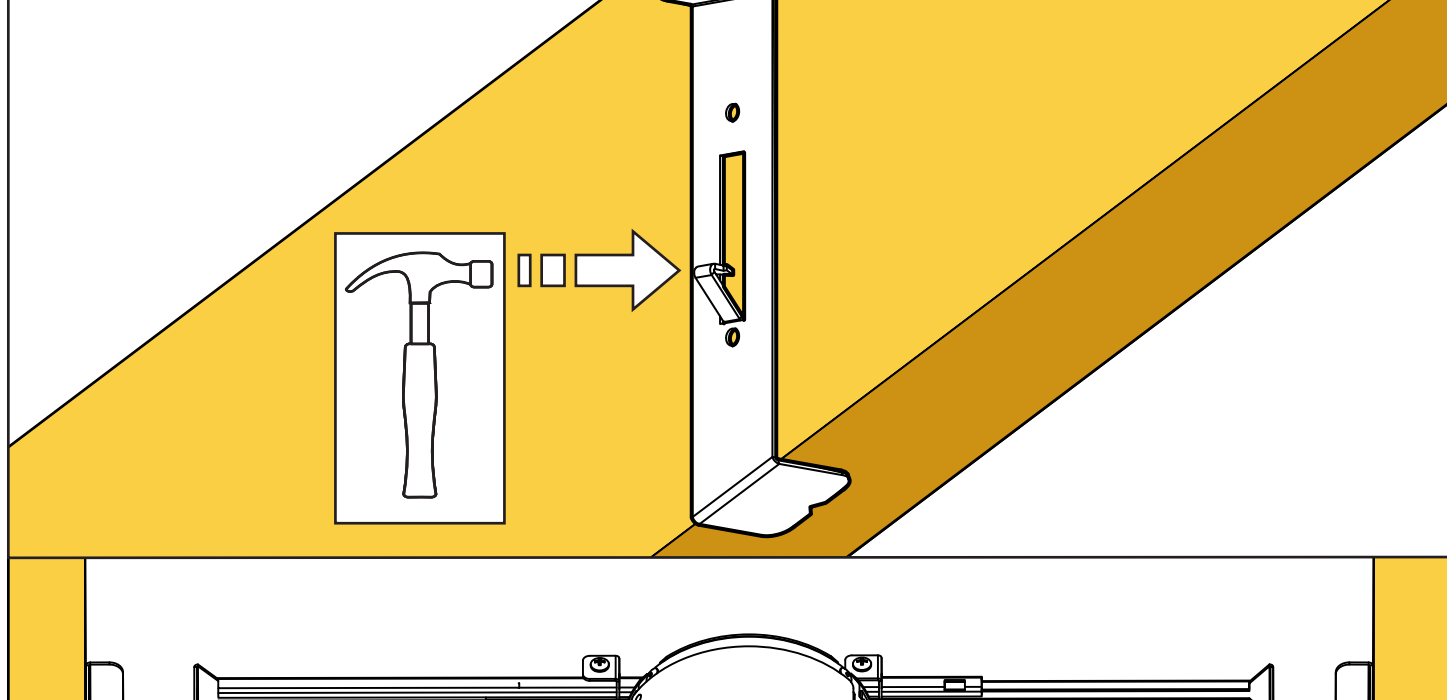
This product is suitable for damp locations.

This product can be dimmed with a standard electronic dimmer.

This instruction shows a typical installation.

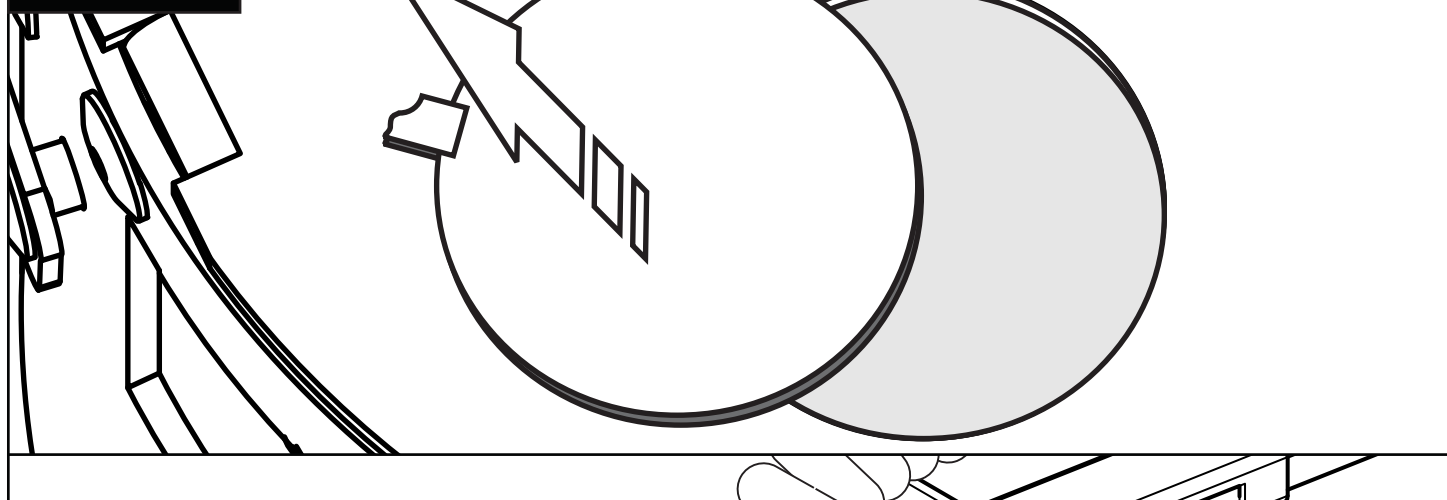
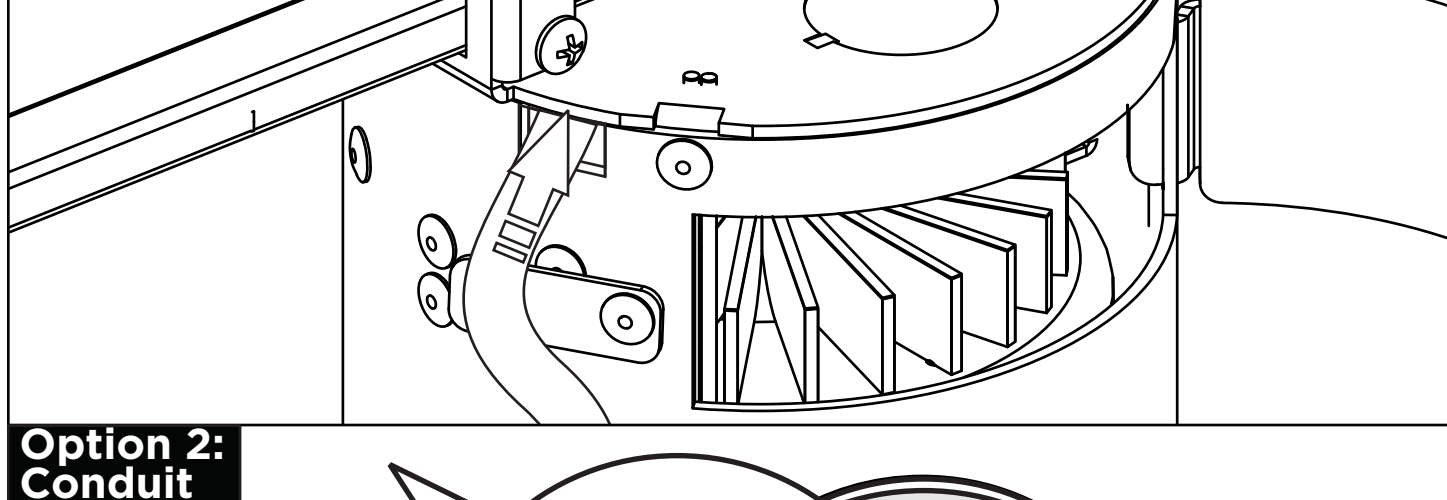


SAVE THESE INSTRUCTIONS!

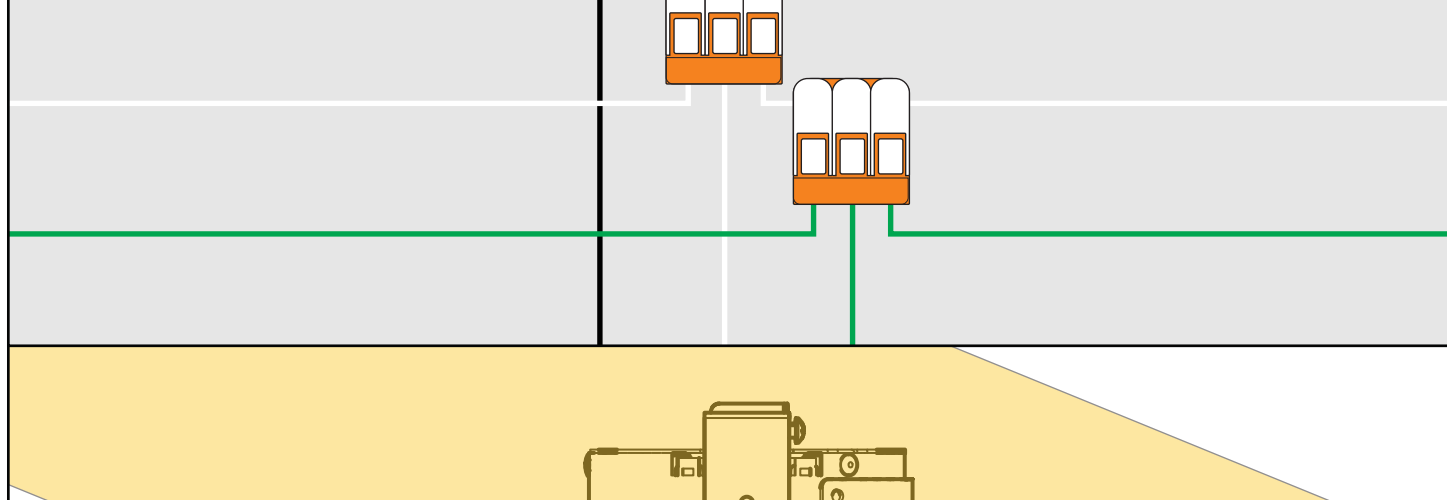
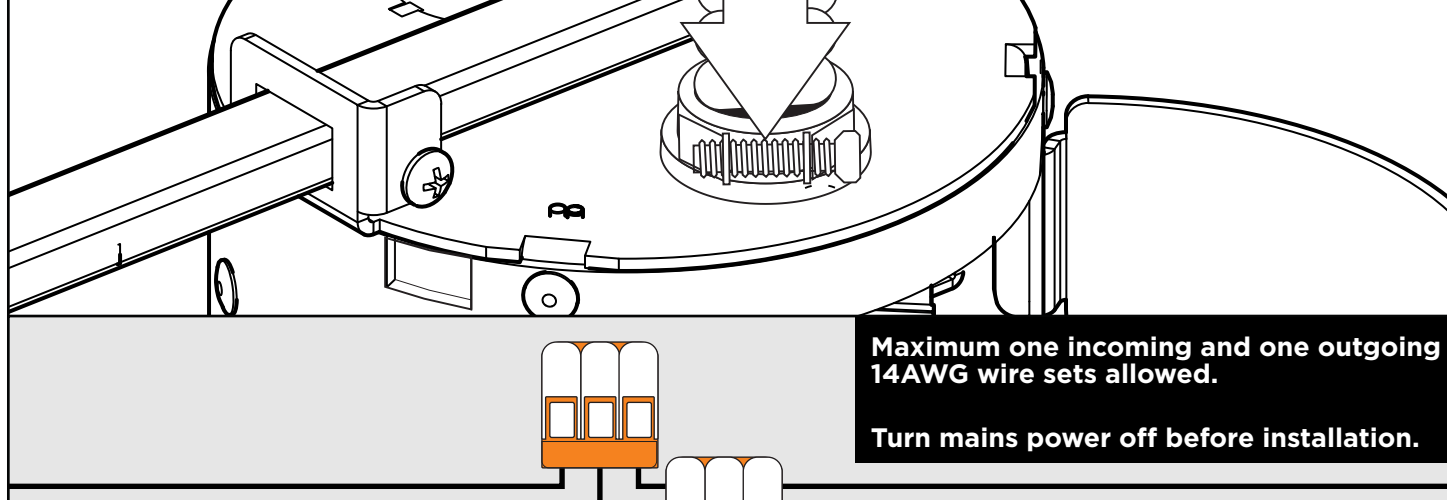


NOTE: Gently twist the trim while pushing it upward into the housing to secure a tight fit.

Option 1: Non-Metallic Cable



Option 2: Conduit



Maximum one incoming and one outgoing 14AWG wire sets allowed.
Turn mains power off before installation.