

VERSE™ 3" LED RECESSED DOWNLIGHTS



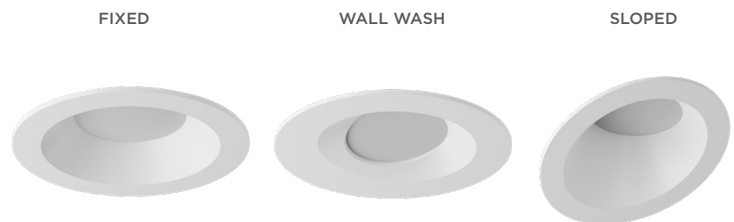
VERSE 3" LED recessed downlights are cost-effective, wet-rated, air-tight, IC-rated, and deliver value across the project. The integrated housing, light module, and driver install quickly and easily in one wiring. Anyone on the job site can attach trims after the ceiling installation, without additional wiring.

Available in new construction, remodel, and sloped ceiling models.

- One housing accommodates round and square trims
- Regressed lens provides a premium aesthetic at an economical price
- Best in class efficacy for 90+ CRI diffused light source
- 4.2" tall housing fits into shallow plenums
- Field paintable trims
- Collar notches assist in the alignment of multiple housings
- By removing the LED module, the housing can be used as a standard junction box for pendants or other light fixtures
- IC-rated, wet-rated, certified for UL 514A standards, code compliant for use in fire-rated assemblies up to a maximum of 2-hours per International Building Code Section 714
- Junction box complies with UL 514A
- 24-hour quick ship

PRODUCT OVERVIEW

FUNCTION	3" LED Recessed Downlight - Fixed, Wall Wash, or Sloped
CEILING APERTURE	4" ceiling cutout 2-inch aperture
TRIM SHAPE	Round or square
FINISH	White - field paintable
INPUT VOLTAGE	120V
DIMMING	Reverse-phase, forward-phase, and TRIAC dimming down to 2% to 4% with several dimmers
GENERAL LISTING	Insulation contact rated Airtight Wet-rated ETL Listed Code compliant for fire-rated assemblies up to 2-hours. Complies with CEC 2019 Title 24 Part 6 (JA8-2016, JA8-2019)



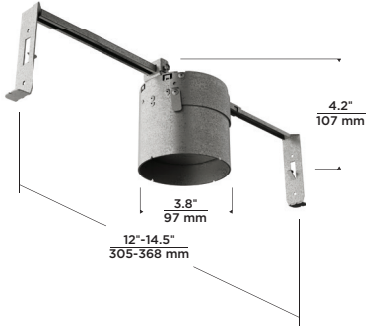
PATENT PENDING

VERSE™ 3" LED RECESSED DOWNLIGHTS

MODEL

TRIMS AVAILABLE

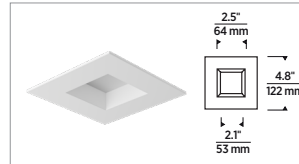
NEW CONSTRUCTION



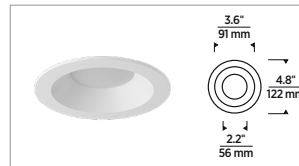
REMODEL



FIXED

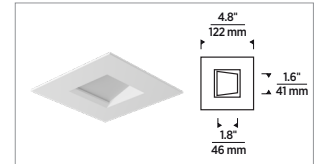


SQUARE FLANGED

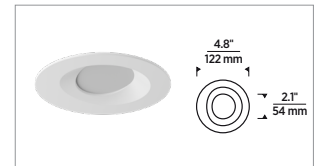


ROUND FLANGED

WALL WASH

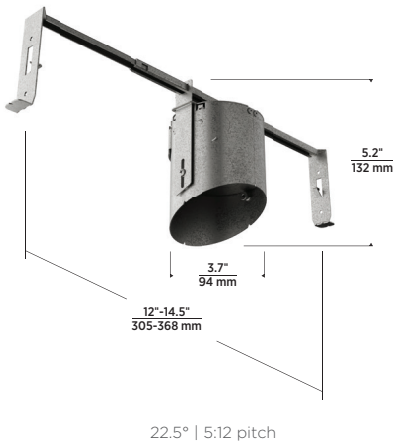


SQUARE FLANGED

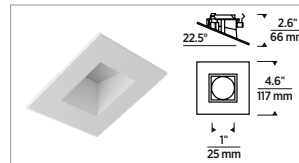


ROUND FLANGED

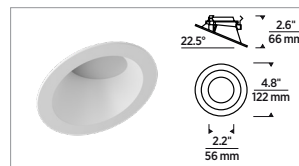
SLOPED CEILING



SLOPED



SQUARE FLANGED



ROUND FLANGED

SPECIFICATION DATA

DELIVERED LUMENS	950 lm fixed 750 lm wall wash 879 lm sloped (9W)	COLOR TEMPERATURE	2700K / 3000K
EFFICACY	106 lm/W fixed 83 lm/W wall wash 98 lm/W sloped	CRI	90+
COLOR QUALITY	3-step	BEAM ANGLE	85° wide flood Asymmetric wall wash
DIMMING	Reverse-phase, forward-phase, and TRIAC dimming down to 2% to 4% with several dimmers	WARRANTY	5 years L70 50,000 hours

Data in chart reflects 3000K.