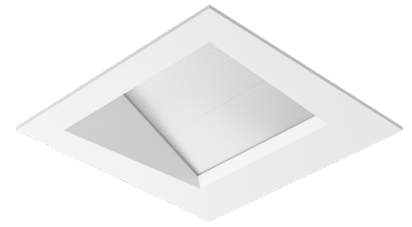


ELEMENT™ 4" PRO SERIES LED

WALL WASH DOWNLIGHT



SHOWN IN FLANGED WALL WASH SQUARE

The Element 4" Pro Series Wall Wash sets a new standard for best-in-class performance. Creating a beautifully uniform high output flood of light without scalloping or hot spots. With even illumination from top to bottom of the wall, the Element 4" Pro Series Wall Wash complements the Element 4" Pro Series Fixed and Adjustable downlights for any commercial space and is available in a variety of options, including output, and the choice of Static White, Warm Dim or Tunable White.

- Luminaires turning film, two directions
- Even vertical and horizontal illumination of wall
- High efficacy output: >76 lumens per watt (static white)
- 2-step standard
- Standard Triac/ELV dimming down to 1%
- Lutron/eldoLED options

LUMEN MULTIPLIER (CRI/CCT)

CCT	80 CRI MULTIPLIER	90 CRI MULTIPLIER
2700K	0.95	0.80
3000K	1.00	0.85
3500K	1.05	0.90

Lumen output will vary by CCT and CRI. See photometric charts for output information.

SPECIFICATIONS

		STATIC WHITE		WARM DIM		TUNABLE WHITE	
HOUSING (RATING)	Wattage	Lumens	Efficacy	Lumens	Efficacy	Lumens	Efficacy
E4PH (IC/NIC/CP)	8W	753	92	471	60	400	50
	12W	1129	88	706	60	600	50
	17W	1600	84	1000	59	850	50
	24W	2033	80	1271	59	1080	45
E4NGH (IC/NIC/CP)	29W	2343	76	1875	60	1594	55
CRI		80+, 90+		90+		90+	
CCT OPTIONS		2700K, 3000K, 3500K, or 4000K		3000K - 1800K		5000K - 2700K	
COLOR CONSISTENCY		2-step		3-step		2-step	
VOLTAGE		120V or 277V					
DIMMING¹		Standard phase dimming (down to 1%) 0-10V (down to 5%) Lutron Hi-lume EcoSystem (down to 0.1%) Lutron Hi-lume 2-wire (down to 1%) EldoLED 0-10V or Dali (down to 0.1%)				EldoLED 0-10V or Dali (down to 0.1%)	
POWER SUPPLY		Constant current driver with +.9 power factor and +80% efficiency					
ADJUSTABILITY		361° rotation, 45° collar rotation					
CEILING APPEARANCE		Flanged, Flangeless, Flangeless in Wood Ceiling					
CEILING THICKNESS		Flanged: Up to 1" Flangeless: No ceiling thickness limitations Flangeless in Wood Ceiling: No ceiling thickness limitations					
CEILING APERTURE		4-1/2" ceiling cutout					
HOUSING		IC Airtight, Non-IC Airtight, Chicago Plenum. IC suitable up to R60 spray foam insulation.					
CONSTRUCTION		Housing: Heavy-Gauge, Cold-Rolled Steel Trims: Die-Cast Aluminum					
FINISH		Housing: Black Powder Coat Trim: White, Black					
GENERAL LISTING		ETL Listed, Damp Listed.					
CALIFORNIA TITLE 24		Registered CEC Appliance Database. Can be used to comply with CEC 2019 Title 24 part 6 (JA8-2016, JA8-2019) (for 90 CRI versions).					
L70		50,000 hours min					
WARRANTY²		5 years					

Data in chart reflects 3000K/80CRI values unless noted. Lumen values are delivered lumens, not source lumens. Custom Output/Custom RAL/Custom CCT available, Contact Quotes Department

Ordering grids available on page 2.

¹See ELEMENT-Lighting.com for dimmer compatibility.

²Visit ELEMENT-lighting.com for specific warranty limitations and details.

ELEMENT™ 4" PRO SERIES LED

WALL WASH DOWNLIGHT

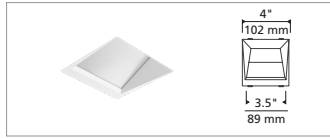
TRIMS

ROUND

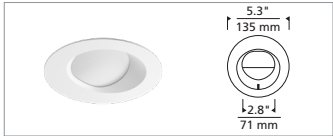


FLANGELESS

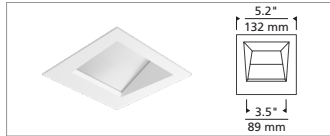
SQUARE



FLANGELESS



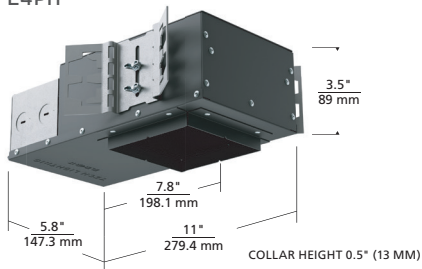
FLANGED



FLANGED

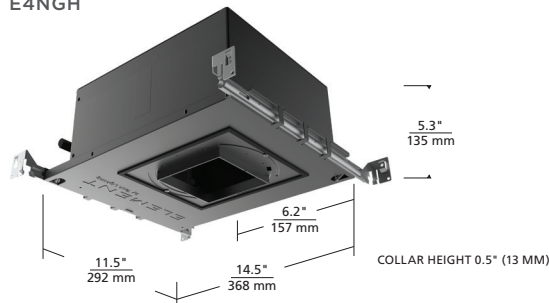
HOUSINGS

E4PH



IC AIRTIGHT / NON-IC AIRTIGHT / CHICAGO PLENUM (UP TO 24W)

E4NGH



IC AIRTIGHT / NON-IC AIRTIGHT / CHICAGO PLENUM (29W)

HANGER BARS

STANDARD

