

Creating a continuous uninterrupted line of beautiful, glare-free LED light, the ELEMENT Merge 3.0 Flush LED linear system inconspicuously puts light where it is needed. The continuous line aesthetic created by the ELEMENT Merge 3.0 system is enhanced using a specifically engineered 90° turn connector. Lines of LED light can be designed to seamlessly make 90° same-plane turns for enhanced design interest while also allowing the option to add spot heads for accent and task lighting, all without adding more light fixtures to the space.

Key Features:

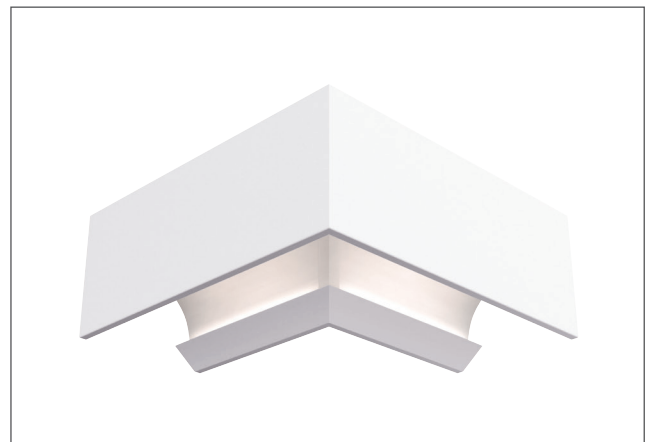
- 3-Step or better color binning
- Internal reflector finished with high reflectance matte white paint for even light distribution & optimal efficiency

SPECIFICATIONS

DELIVERED LUMENS	1400 lms/ft, 700 lms/ft or 350 lms/ft
WATTS	18, 9 or 4.5 watts/ft
EFFICACY	78 l/w
CRI	80+, 90+
CCT OPTIONS	2700K, 3000K, 3500K, or Programmable White (2700K-4000K)
VOLTAGE	120V or 277V (Concealed 10 gauge, low-voltage bus bar, order 12-volt remote transformer sold separately)
DIMMING	ELV, 0-10V, Lutron Hi-Lume 2 Wire PWM (120V only) or Lutron Hi-Lume Eco System, 0-10V 1%, 0-10V 0.1%
CEILING APPEARANCE	Flush Mount
POWER SUPPLY**	Constant Current (Each linear channel includes a self-contained ELV, 0-10V, Lutron Hi-Lume 2 Wire PWM (120V only) or Lutron Hi-Lume, Eco System Fade-to-Black Driver)
CONSTRUCTION	Aluminum
HARDWARE	Steel
FINISH	White Powder Coat
GENERAL LISTING	ETL
CALIFORNIA TITLE 24	Registered CEC Appliance Database. Can be used to comply with CEC 2016 Title 24 Part 6 (Static White, 90 CRI versions).
LED LIFETIME	L70; 50,000 hours
WARRANTY*	5 years

*Visit ELEMENT-lighting.com for specific warranty limitations and details.
**Consult Quotes Department for additional driver options.

Max run length is 80' for the channel; typical max run length is 40' for the low-voltage bus which can be powered from both sides for a total of 80'; system wattage will impact max run length

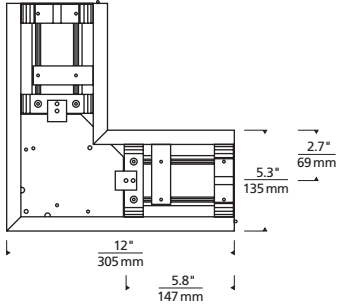


MERGE
shown flush mounted

MERGE™ 3.0

FLUSH MOUNT 90° L CONNECTOR

DIMENSIONS



Flush 90° L connector (top view)

GRIDS

SYSTEM	TYPE	OUTPUT	CRI / COLOR TEMPERATURE	FINISH	CONTROLS	
FLS3	L "L" CONNECTOR	10	1000 LUMENS/FT DOWNLIGHT ONLY†	827	80 CRI, 2700K	W MATTE WHITE S SILVER ELD0 ELDOLED 0.1% 0-10V LINEAR** ELD0A ELDOLED 0.1% 0-10V LOGARITHMIC** ELD1 ELDOLED 1% 0-10V LINEAR** ELD1A ELDOLED 1% 0-10V LOGARITHMIC** HL2W LUTRON HI-LUME 2 WIRE/PWM*** HLECO LUTRON HI-LUME ECO-SYSTEM FADE-TO-BLACK**
		70	700 LUMENS/FT DOWNLIGHT ONLY	830	80 CRI, 3000K	
		30	350 LUMENS/FT DOWNLIGHT ONLY	835	80 CRI, 3500K	
				927	90 CRI, 2700K	
				930	90 CRI, 3000K	
				935	90 CRI, 3500K	
				82740	80 CRI, PROGRAMMABLE WHITE*	

FLS3 L

*0-10 VOLT DIMMING ONLY, NOT AVAILABLE WITH ELDOLED OPTIONS. **UNV = 120V/277V INPUT VOLTAGE. ***HL2W – TWO WIRE LOW-VOLTAGE ELECTRONIC DIMMING, 120 VOLT ONLY. †1000 LMS/FT ONLY AVAILABLE IN STATIC WHITE AND ONLY WITH STANDARD ELV AND 0-10V DRIVERS.

PROJECT INFO

FIXTURE TYPE & QUANTITY	JOB NAME & INFO	NOTES

ELEMENT
by Tech Lighting[®]

GENERATION BRANDS
7400 Linder Avenue, Skokie, Illinois 60077
T 847.410.4400 F 847.410.4500

