

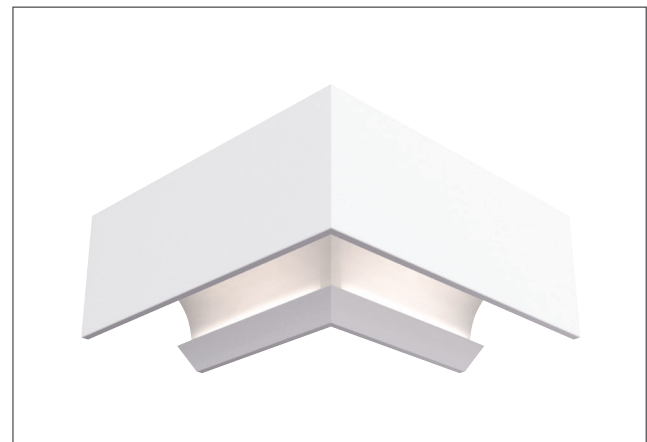
Creating a continuous uninterrupted line of beautiful, glare-free LED light, the ELEMENT Merge 3.0 Flush LED linear system inconspicuously puts light where it is needed. The continuous line aesthetic created by the ELEMENT Merge 3.0 system is enhanced using a specifically engineered 90° turn connector. Lines of LED light can be designed to seamlessly make 90° same-plane turns for enhanced design interest while also allowing the option to add spot heads for accent and task lighting, all without adding more light fixtures to the space.

Key Features:

- 3-Step or better color binning
- Internal reflector finished with high reflectance matte white paint for even light distribution & optimal efficiency

SPECIFICATIONS

| | |
|---------------------|---|
| DELIVERED LUMENS | 1400 lms/ft, 700 lms/ft or 350 lms/ft |
| WATTS | 18, 9 or 4.5 watts/ft |
| EFFICACY | 78 l/w |
| CRI | 80+, 90+ |
| CCT OPTIONS | 2700K, 3000K, 3500K, or Programmable White (2700K-4000K) |
| VOLTAGE | 120V or 277V (Concealed 10 gauge, low-voltage bus bar, order 12-volt remote transformer sold separately) |
| DIMMING | ELV, 0-10V, Lutron Hi-Lume 2 Wire PWM (120V only) or Lutron Hi-Lume Eco System, 0-10V 1%, 0-10V 0.1% |
| CEILING APPEARANCE | Flush Mount |
| POWER SUPPLY** | Constant Current (Each linear channel includes a self-contained ELV, 0-10V, Lutron Hi-Lume 2 Wire PWM (120V only) or Lutron Hi-Lume, Eco System Fade-to-Black Driver) |
| CONSTRUCTION | Aluminum |
| HARDWARE | Steel |
| FINISH | White Powder Coat |
| GENERAL LISTING | ETL |
| CALIFORNIA TITLE 24 | Registered CEC Appliance Database. Can be used to comply with CEC 2016 Title 24 Part 6 (Static White, 90 CRI versions). |
| LED LIFETIME | L70; 50,000 hours |
| WARRANTY* | 5 years |



MERGE
shown flush mounted

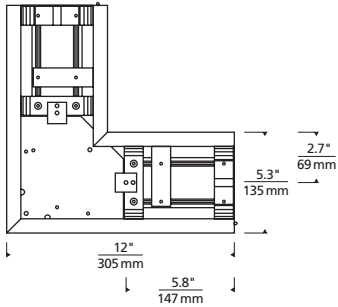
*Visit ELEMENT-lighting.com for specific warranty limitations and details.
**Consult Quotes Department for additional driver options.

Max run length is 80' for the channel; typical max run length is 40' for the low-voltage bus which can be powered from both sides for a total of 80'; system wattage will impact max run length

MERGE™ 3.0

FLUSH MOUNT 90° L CONNECTOR

DIMENSIONS



Flush 90° L connector (top view)

GRIDS

| SYSTEM | TYPE | OUTPUT | CRI / COLOR TEMPERATURE | FINISH | CONTROLS |
|--------|-----------------|-----------------------------------|-----------------------------------|---------------------------|---|
| FLS3 | L "L" CONNECTOR | 10 1400 LUMENS/FT DOWNLIGHT ONLY† | 827 80 CRI, 2700K | W MATTE WHITE S SILVER | ELV/0-10V DIMMING UNV** |
| | | 70 700 LUMENS/FT DOWNLIGHT ONLY | 830 80 CRI, 3000K | | ELDO ELD0LED 0.1% 0-10V LINEAR** |
| | | 30 350 LUMENS/FT DOWNLIGHT ONLY | 835 80 CRI, 3500K | | ELD0A ELD0LED 0.1% 0-10V LOGARITHMIC** |
| | | | 927 90 CRI, 2700K | | ELD1 ELD0LED 1% 0-10V LINEAR** |
| | | | 930 90 CRI, 3000K | | ELD1A ELD0LED 1% 0-10V LOGARITHMIC** |
| | | | 935 90 CRI, 3500K | | HL2W LUTRON HI-LUME 2 WIRE/PWM*** |
| | | | 82740 80 CRI, PROGRAMMABLE WHITE* | | HLECO LUTRON HI-LUME ECO-SYSTEM FADE-TO-BLACK** |

FLS3 L

*0-10 VOLT DIMMING ONLY, NOT AVAILABLE WITH ELDOLED OPTIONS. **UNV = 120V/277V INPUT VOLTAGE. ***HL2W – TWO WIRE LOW-VOLTAGE ELECTRONIC DIMMING, 120 VOLT ONLY. †1000 LMS/FT ONLY AVAILABLE IN STATIC WHITE AND ONLY WITH STANDARD ELV AND 0-10V DRIVERS.

PROJECT INFO

| FIXTURE TYPE & QUANTITY | JOB NAME & INFO | NOTES |
|-------------------------|-----------------|-------|
| | | |
| | | |

ELEMENT
by Tech Lighting[®]

GENERATION BRANDS
7400 Linder Avenue, Skokie, Illinois 60077
T 847.410.4400 F 847.410.4500