

Creating a continuous uninterrupted line of beautiful, glare-free LED light, the ELEMENT Merge 3.0 recessed linear system inconspicuously puts light where it is needed without drawing attention to the fixture. The ELEMENT Merge 3.0 Drop-Down Spot head option allows you to simply twist-and-lock LED adjustable spot heads anywhere along the low-voltage bus channel for stunning design flexibility. Options for beam spread, mounting, and color temperature allow designers to specify a system tailored to exacting demands. The Merge Drop-Down Spot allows maximum aimability and utilizes the merge freejack adapter. For further design options, the FreeJack adapter allows any Tech Lighting low-voltage head or pendant to be mounted from the ELEMENT Merge 3.0 system making it remarkably versatile.

### Spot lamping

- Drop-down spot head extends beneath the linear channel to minimize cut-off at higher angle aiming
- 3-Step or better color binning
- Includes Merge FreeJack adapter

### SPECIFICATIONS

DELIVERED LUMENS	836 (80CRI, 3500K)
WATTS	9.3
EFFICACY	90 l/w
CRI	80+ & 90+
CBCP (40°)	1472
CCT OPTIONS	2700K, 3000K, 3500K
VOLTAGE	120V or 277V (Concealed 10 gauge, low-voltage bus bar, order 12-volt remote transformer sold separately)
DIMMING	ELV, 0-10V, MLV. Dimming dependant on transformer (see grid for details)
FIELD CHANGEABLE OPTICS	20°, 30°, 40°, 60°
ADJUSTABILITY	90° tilt, 360° rotation
POWER SUPPLY	12VAC
LED LIFETIME	L70; 50,000 hours
WARRANTY*	5 years

\*Visit [techlighting.com](http://techlighting.com) for specific warranty limitations and details.

Maximum number of spots is variable depending on the length of the housing panel; 1 spot per foot of housing panel.

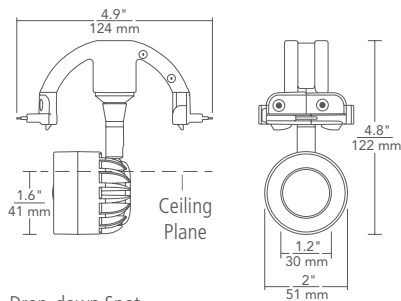
Max run length is 80' for the channel; typical max run length is 40' for the low-voltage bus which can be powered from both sides for a total of 80'; system wattage will impact max run length



# MERGE™ 3.0

DROP DOWN SPOT HEAD

## DIMENSIONS



Drop-down Spot

## GRIDS

### SPOT HEAD\*

SYSTEM	TYPE	CRI / COLOR TEMPERATURE	BEAM SPREAD	FINISH
RLS3	D DROP DOWN	<b>827</b> 80 CRI, 2700K	<b>2</b> 20°	<b>W</b> MATTE WHITE
		<b>830</b> 80 CRI, 3000K	<b>3</b> 30°	
		<b>835</b> 80 CRI, 3500K	<b>4</b> 40°	
		<b>927</b> 90 CRI, 2700K	<b>6</b> 60°	
		<b>930</b> 90 CRI, 3000K		
		<b>935</b> 90 CRI, 3500K		
<b>RLS3</b>	<b>D</b>		<b>W</b>	

\*TRANSFORMER REQUIRED

### LENSES/LOUVERS

	TYPE
<b>MOC</b>	<b>GG</b> PLAIN GLASS
	<b>SF</b> SOFT FOCUS
	<b>LL</b> LINEAR SPREAD
	<b>EC</b> EGGCRATE LOUVER
	<b>LS1-W</b> 1" LONG SNOOT WHITE
	<b>LS12-W</b> 1/2" LONG SNOOT WHITE
<b>MOC</b>	

### REPLACEMENT OPTICS

	BEAM SPREAD
<b>353LEDGATOPT</b>	<b>20</b> 20°
	<b>30</b> 30°
	<b>40</b> 40°
	<b>60</b> 60°
<b>353LEDGATOPT</b>	

### TRANSFORMERS\* (ORDERED SEPARATELY)

ITEM	DESCRIPTION	DIMMING
<b>700AT060EL</b>	ELECTRONIC, 60W, 120V	ELV
<b>700AT152EL</b>	ELECTRONIC, 150W, 120V	ELV
<b>700AT152ELD010</b>	ELECTRONIC, 150W, 120V	0-10V
<b>700AT150T</b>	MAGNETIC, 150W, 120V	MAGNETIC
<b>700AT150T277</b>	MAGNETIC, 150W, 277V	MAGNETIC
<b>700AT302EL</b>	ELECTRONIC, 300W, 120V	ELV
<b>700AT300T</b>	MAGNETIC, 300W, 120V	MAGNETIC
<b>700AT300T277</b>	MAGNETIC, 300W, 277V	MAGNETIC

DO NOT LOAD TRANSFORMER ABOVE 70% OF RATED LOAD DUE TO IN-RUSH CURRENT. \*CONSULT SPEC SHEETS FOR DIMENSIONS.

## PROJECT INFO

FIXTURE TYPE & QUANTITY	JOB NAME & INFO	NOTES

**ELEMENT**  
by Tech Lighting®

GENERATION BRANDS  
7400 Linder Avenue, Skokie, Illinois 60077  
T 847.410.4400 F 847.410.4500



© 2017 Tech Lighting, L.L.C. All rights reserved. The "Tech Lighting" graphic is a registered trademark of Tech Lighting, L.L.C. Tech Lighting reserves the right to change specifications for product improvements without notification.

# MERGE™ 3.0

DROP DOWN SPOT HEAD

## PHOTOMETRICS: MERGE

DESCRIPTION: Merge LED Drop Down Spot  
40° Optic, 80 CRI, 3500K

MODEL: RLS3D8354W

INPUT POWER (WATTS): 9.3

INPUT POWER FACTOR: 0.91

ABSOLUTE LUMINOUS FLUX (LUMENS): 8361

LUMEN EFFICACY (LUMENS PER WATT): 90

ANGLE	0°	45°	90°
0°	1742	1742	1742
5°	1679	1679	1690
10°	1509	1512	1523
15°	1244	1234	1240
20°	868	858	883
25°	510	506	518
30°	246	252	268
35°	117	120	126
40°	56	60	62
45°	30	32	33
50°	19	19	20
55°	13	13	14
60°	9	9	10
65°	6	7	7
70°	4	4	4
75°	3	3	3
80°	1	1	1
85°	0	0	0
90°	0	0	0

