

Creating a continuous uninterrupted line of beautiful, glare-free LED light, the ELEMENT Merge 3.0 Suspended LED linear system inconspicuously puts light where it is needed. The continuous line aesthetic created by the ELEMENT Merge 3.0 system is enhanced using a specifically engineered 90° turn connector. Lines of LED light can be designed to seamlessly make 90° same-plane turns for enhanced design interest while also allowing the option to add spot heads for accent and task lighting, all without adding more light fixtures to the space.

### Key Features:

- 3-Step or better color binning
- Internal reflector finished with high reflectance matte white paint for even light distribution & optimal efficiency
- **Note:** Suspended corner connectors accept low-voltage track heads only. Corner connectors not suitable for pendant mounting.

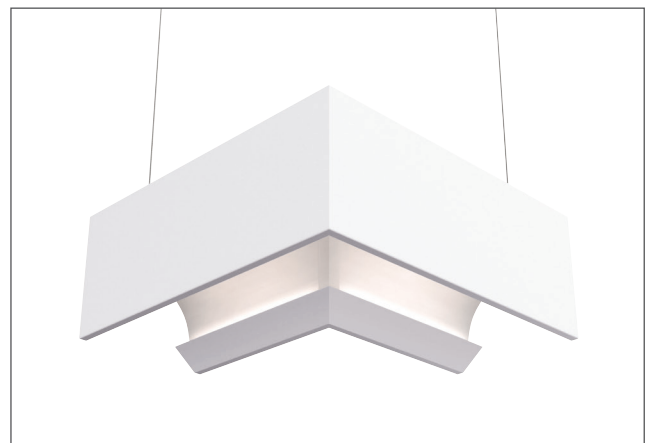
### SPECIFICATIONS

DELIVERED LUMENS	1400 lms/ft, 700 lms/ft or 350 lms/ft
WATTS	18, 9 or 4.5 watts/ft
EFFICACY	78 l/w
CRI	80+, 90+
CCT OPTIONS	2700K, 3000K, 3500K, or Programmable White (2700K-4000K)
VOLTAGE	120V or 277V (Concealed 10 gauge, low-voltage bus bar, order 12-volt remote transformer sold separately)
DIMMING	ELV, 0-10V, Lutron Hi-Lume 2 Wire PWM (120V only) or Lutron Hi-Lume Eco System, 0-10V 1%, 0-10V 0.1%
CEILING APPEARANCE	Suspended aircraft cable or rigid stem
POWER SUPPLY**	Constant Current (Each linear channel includes a self-contained ELV, 0-10V, Lutron Hi-Lume 2 Wire PWM (120V only) or Lutron Hi-Lume, Eco System Fade-to-Black Driver)
CONSTRUCTION	Aluminum
HARDWARE	Steel
FINISH	White Powder Coat
GENERAL LISTING	ETL
CALIFORNIA TITLE 24	Registered CEC Appliance Database. Can be used to comply with CEC 2016 Title 24 Part 6 (Static White, 90 CRI versions).
LED LIFETIME	L70; 50,000 hours
WARRANTY*	5 years

\*Visit ELEMENT-lighting.com for specific warranty limitations and details.

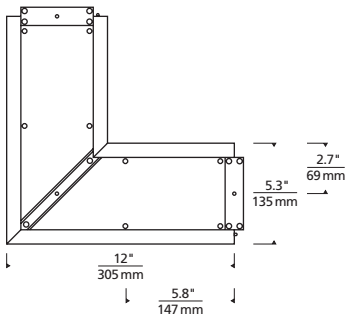
\*\*Consult Quotes Department for additional driver options.

Max run length is 80' for the channel; typical max run length is 40' for the low-voltage bus which can be powered from both sides for a total of 80'; system wattage will impact max run length



MERGE  
shown suspended

## DIMENSIONS



Suspended 90° L connector (top view)

## GRIDS

### LINEAR CHANNELS

SYSTEM	TYPE	OUTPUT	MOUNTING	CRI/COLOR TEMPERATURE	FINISH	CONTROLS	OPTIONAL		
SLS3	L "L" CONNECTOR	10 1400 LPF DOWNLIGHT ONLY†	SR04 48" RIGID STEM	827 80CRI, 2700K	W MATTE WHITE	ELV/0-10V DIMMING UNV**	LEAVE BLANK IF NO DESIRED OPTIONS		
		70 700 LPF DOWNLIGHT ONLY	SR08 96" RIGID STEM	830 80CRI, 3000K					
		30 350 LPF DOWNLIGHT ONLY	SA04 48" ADJUSTABLE CABLE	835 80CRI, 3500K	S SILVER			ELD0 0.1% 0-10V LINEAR UNV**	-EM EMERGENCY BATTERY†
		16 1400 DOWNLIGHT/600 UPLIGHT†	SA12 144" ADJUSTABLE CABLE	927 90CRI, 2700K				ELD0A 0.1% 0-10V LOGARITHMIC UNV**	
		76 700 DOWN/600 UPLIGHT		930 90CRI, 3000K	ELD1 1% 0-10V LINEAR UNV**				
		36 350 DOWN/600 UPLIGHT		935 90CRI, 3500K	ELD1A 1% 0-10V LOGARITHMIC UNV**				
		06 600 LPF UPLIGHT ONLY		82740 80CRI, PROGRAMMABLE WHITE	HL2W LUTRON HI-LUME 1% 2 WIRE/PWM***				
		13 1400 LPF DOWNLIGHT/350 UPLIGHT†			HLECO LUTRON HI-LUME 1% ECOSYSTEM FADE-TO-BLACK UNV**				
		73 700 DOWN/350 UPLIGHT							
		33 350 DOWN/350 UPLIGHT							
		03 350 LPF UPLIGHT ONLY							

SLS3 L

\*0-10V DIMMING ONLY, NOT AVAILABLE WITH ELDOLED OPTIONS. \*\*UNV = 120V/277V INPUT VOLTAGE. \*\*\*HL2W - TWO WIRE LOW-VOLTAGE ELECTRONIC DIMMING, 120 VOLT ONLY. †1000 LPF ONLY AVAILABLE IN STATIC WHITE AND ONLY WITH STANDARD ELV AND 0-10V DRIVERS. ‡EM ONLY AVAILBE ON STATIC WHITE LINEAR CHANNELS.

### T-BAR CLIPS

SYSTEM	SIZE	FINISH
GTB	09 9/16"	B BLACK
	15 15/16"	W WHITE

### GTB

USED WHEN INSTALLING A SUSPENDED MERGE SYSTEM RUN ON A LAY-IN T-GRID CEILING, EACH SUSPENSION POINT REQUIRES ONE T-BAR CLIP. SHOWN WITH COUPLING INCLUDED WITH FIXTURE MOUNTING HARDWARE.

## PROJECT INFO

FIXTURE TYPE & QUANTITY	JOB NAME & INFO	NOTES

**ELEMENT**  
by Tech Lighting<sup>®</sup>

GENERATION BRANDS  
7400 Linder Avenue, Skokie, Illinois 60077  
T 847.410.4400 F 847.410.4500

