

Creating a continuous uninterrupted line of beautiful, glare-free LED light, the ELEMENT Merge 3.0 Suspended LED linear system inconspicuously puts light where it is needed. The continuous line aesthetic created by the ELEMENT Merge 3.0 system is enhanced using a specifically engineered 90° turn connector. Lines of LED light can be designed to seamlessly make 90° same-plane turns for enhanced design interest while also allowing the option to add spot heads for accent and task lighting, all without adding more light fixtures to the space.

Key Features:

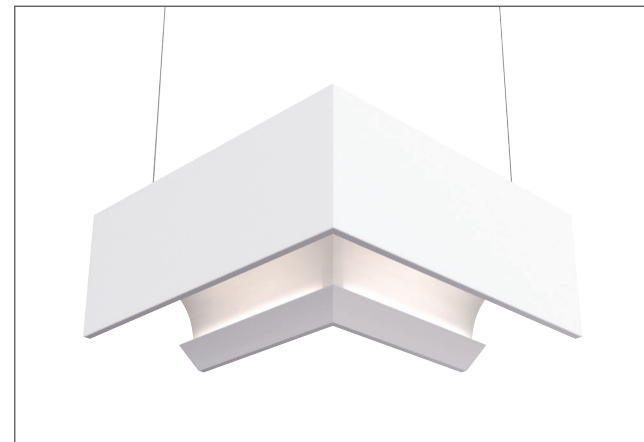
- 3-Step or better color binning
- Internal reflector finished with high reflectance matte white paint for even light distribution & optimal efficiency
- Note: Suspended corner connectors accept low-voltage track heads only. Corner connectors not suitable for pendant mounting.

SPECIFICATIONS

	HIGH OUTPUT	STANDARD OUTPUT	LOW OUTPUT
DELIVERED LUMENS	Downlight: 1000 lms/ft	Downlight: 700 lms/ft	Downlight: 350 lms/ft
WATTS	Downlight: 14 watts/ft	Downlight: 9 watts/ft	Downlight: 4.5 watts/ft
EFFICACY	71 l/w	71 l/w	71 l/w
CRI	80+, 90+		
CCT OPTIONS	2700K, 3000K, 3500K, or Programmable White (2700K-4000K)		
COLOR CONSISTENCY	3-Step		
VOLTAGE	120V or 277V (Concealed 10 gauge, low-voltage bus bar, order 12-volt remote transformer sold separately)		
DIMMING	Premium TRIAC, ELV (Below 1% Standard) 0-10V (Down to 5%) Lutron Hi-Lume Ecosystem Fade-To-Black or PWM (Down to 1%) eldoLED 0-10V or Dali (Down to 0.1%)		
CEILING APPEARANCE	Suspended aircraft cable or rigid stem		
CEILING APERTURE	3" beveled aperture		
HOUSING	IC Airtight available in 4', 6' and 8'. IC suitable up to R60 spray foam insulation (Consult factory for Chicago Plenum). EM units available Non-IC only.		
POWER SUPPLY**	Constant Current (Each linear channel includes a self-contained ELV, 0-10V, Lutron Hi-Lume 2 Wire PWM (120V only) or Lutron Hi-Lume, Eco System Fade-to-Black Driver, 0-10V 1%, 0-10V 0.1%		
CONSTRUCTION	Housing: 20 gauge sheet metal Extrusion: Aluminum		
HARDWARE	Steel		
FINISH	White Powder Coat		
GENERAL LISTING	ETL		
CALIFORNIA TITLE 24	Registered CEC Appliance Database. Can be used to comply with CEC 2016 Title 24 Part 6 (Static White, 90 CRI versions).		
LED LIFETIME	L70; 50,000 hours		
WARRANTY*	5 years		

*Visit ELEMENT-lighting.com for specific warranty limitations and details.
**Consult Quotes Department for additional driver options.

Max run length is 80' for the channel; typical max run length is 40' for the low-voltage bus which can be powered from both sides for a total of 80'; system wattage will impact max run length



MERGE
shown suspended

PERFORMANCE

LOW OUTPUT UPLIGHT (350 LPF)

LINEAR CHANNEL	FIXTURE OUTPUT (LMS)*	WATTAGE
4 FT	1850	18
6 FT	2775	27
8 FT	3700	36

*REPRESENTS 3500K/80CRI

LOW OUTPUT DOWNLIGHT (350 LPF)

LINEAR CHANNEL	FIXTURE OUTPUT (LMS)*	WATTAGE
4 FT	1400	18
6 FT	2100	27
8 FT	2800	36

*REPRESENTS 3500K/80CRI

HIGH OUTPUT DOWNLIGHT (1000 LPF)

LINEAR CHANNEL	FIXTURE OUTPUT (LMS)*	WATTAGE
4 FT	4000	56
6 FT	6000	84
8 FT	8000	112

*REPRESENTS 3500K/80CRI

STANDARD OUTPUT UPLIGHT (600 LPF)

LINEAR CHANNEL	FIXTURE OUTPUT (LMS)*	WATTAGE
4 FT	2800	28
6 FT	4200	42
8 FT	5600	56

*REPRESENTS 3500K/80CRI

STANDARD OUTPUT DOWNLIGHT (700 LPF)

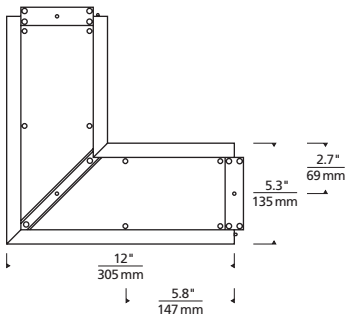
LINEAR CHANNEL	FIXTURE OUTPUT (LMS)*	WATTAGE
4 FT	2800	36
6 FT	4200	54
8 FT	5600	72

*REPRESENTS 3500K/80CRI

Optional

- EM: integrated emergency battery back-up to provide illumination when main power is lost. EM battery is integrated in the Merge linear channel housing and provides 90 minutes of egress illumination. Each EM fixture ships with a mounted test switch/indicator light.
- 4', 6', & 8' EM linear channel: 1107 total lumens (illuminates 4' section of the 8' channel)

DIMENSIONS



Suspended 90° L connector (top view)

GRIDS

LINEAR CHANNELS

SYSTEM	TYPE	OUTPUT	MOUNTING	CRI/CCT	FINISH	CONTROLS	OPTIONAL
SLS3	L "L" CONNECTOR	10	SR04 48" RIGID STEM SR08 96" RIGID STEM SA04 48" ADJUSTABLE CABLE SA12 144" ADJUSTABLE CABLE	827	W MATTE WHITE	ELD0 ELV/0-10V DIMMING UNV** ELD0A ELDOLED 0.1% 0-10V LINEAR UNV* ELD1 ELDOLED 1% 0-10V LINEAR UNV* ELD1A ELDOLED 1% 0-10V LOGARITHMIC UNV** HL2W LUTRON HI-LUME 1% 2 WIRE/PWM† HLECO LUTRON HI-LUME 0.1% ECOSYSTEM FADE-TO-BLACK UNV**	LEAVE BLANK IF NO DESIRED OPTIONS -EM EMERGENCY BATTERY‡
		70		830			
		30		835			
				927 90CRI, 2700K 930 90CRI, 3000K 935 90CRI, 3500K 82740 80CRI, 4000K-2700K, PROGRAMMABLE WHITE*			
SLS3	L				W		

*0-10V DIMMING ONLY, NOT AVAILABLE WITH ELDOLED OPTIONS. **UNV = 120V/277V INPUT VOLTAGE. †HL2W - 2-WIRE LOW-VOLTAGE ELECTRONIC DIMMING, 120V ONLY. ††1000 LPF ONLY AVAILABLE IN STATIC WHITE AND ONLY WITH STANDARD ELV AND 0-10V DRIVERS. ‡EM ONLY AVAILBE ON STATIC WHITE LINEAR CHANNELS.

T-BAR CLIPS

SYSTEM	SIZE	FINISH
SLS	09 9/16"	B BLACK
	15 15/16"	W WHITE

SLS

USED WHEN INSTALLING A SUSPENDED MERGE SYSTEM RUN ON A LAY-IN T-GRID CEILING, EACH SUSPENSION POINT REQUIRES ONE T-BAR CLIP. SHOWN WITH COUPLING INCLUDED WITH FIXTURE MOUNTING HARDWARE.

PROJECT INFO

FIXTURE TYPE & QUANTITY	JOB NAME & INFO	NOTES