

Creating a continuous uninterrupted line of beautiful, glare-free LED light, the ELEMENT Merge recessed linear system inconspicuously puts light where it is needed without drawing attention to the fixture. The ELEMENT Merge Drop-Down Spot head option allows you to simply twist-and-lock LED adjustable spot heads anywhere along the low-voltage bus channel for stunning design flexibility. Options for beam spread, mounting, and color temperature allow designers to specify a system tailored to exacting demands. The Merge Drop-Down Spot allows maximum aimability and utilizes the merge freejack adapter. For further design options, the FreeJack adapter allows any Tech Lighting low-voltage head or pendant to be mounted from the ELEMENT Merge system making it remarkably versatile.

Spot lamping

- Drop-down spot head extends beneath the linear channel to minimize cut-off at higher angle aiming
- 3-Step or better color binning
- Includes Merge FreeJack adapter

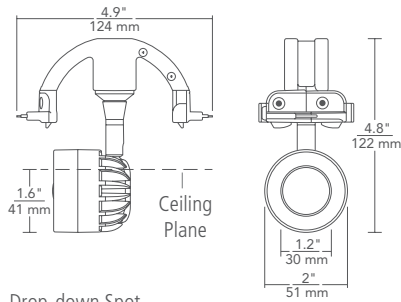
SPECIFICATIONS

DELIVERED LUMENS	836 (80CRI, 3500K)
WATTS	9.3
EFFICACY	90 l/w
CRI	80+ & 90+
CBCP (40°)	1472
CCT OPTIONS	2700K, 3000K, 3500K
VOLTAGE	120V or 277V (Concealed 10 gauge, low-voltage bus bar, order 12-volt remote transformer sold separately)
DIMMING	ELV, 0-10V, MLV. Dimming dependant on transformer (see grid for details)
FIELD CHANGEABLE OPTICS	20°, 30°, 40°, 60°
ADJUSTABILITY	90° tilt, 360° rotation
POWER SUPPLY	12VAC
LED LIFETIME	L70; 50,000 hours
WARRANTY*	5 years



*Visit techlighting.com for specific warranty limitations and details.
Maximum number of spots is variable depending on the length of the housing panel; 1 spot per foot of housing panel.
Max run length is 80' for the channel; typical max run length is 40' for the low-voltage bus which can be powered from both sides for a total of 80'; system wattage will impact max run length

DIMENSIONS



Drop-down Spot

GRIDS

SPOT HEAD*

SYSTEM	TYPE	CRI / COLOR TEMPERATURE	BEAM SPREAD	FINISH
RLS3	D DROP DOWN	827 80 CRI, 2700K	2 20°	W MATTE WHITE
		830 80 CRI, 3000K	3 30°	
		835 80 CRI, 3500K	4 40°	
		927 90 CRI, 2700K	6 60°	
		930 90 CRI, 3000K		
		935 90 CRI, 3500K		
RLS3	D		W	

*TRANSFORMER REQUIRED

LENSES/LOUVERS

	TYPE
MOC	GG PLAIN GLASS
	SF SOFT FOCUS
	LL LINEAR SPREAD
	EC EGGCRATE LOUVER
	LS1-W 1" LONG SNOOT WHITE
	LS12-W 1/2" LONG SNOOT WHITE
MOC	

REPLACEMENT OPTICS

	BEAM SPREAD
353LEDGATOPT	20 20°
	30 30°
	40 40°
	60 60°
353LEDGATOPT	

TRANSFORMERS* (ORDERED SEPARATELY)

ITEM	DESCRIPTION	DIMMING
700AT060EL	ELECTRONIC, 60W, 120V	ELV
700AT152EL	ELECTRONIC, 150W, 120V	ELV
700AT152ELD010	ELECTRONIC, 150W, 120V	0-10V
700AT150T	MAGNETIC, 150W, 120V	MAGNETIC
700AT150T277	MAGNETIC, 150W, 277V	MAGNETIC
700AT302EL	ELECTRONIC, 300W, 120V	ELV
700AT300T	MAGNETIC, 300W, 120V	MAGNETIC
700AT300T277	MAGNETIC, 300W, 277V	MAGNETIC

DO NOT LOAD TRANSFORMER ABOVE 70% OF RATED LOAD DUE TO IN-RUSH CURRENT. *CONSULT SPEC SHEETS FOR DIMENSIONS.

PROJECT INFO

FIXTURE TYPE & QUANTITY	JOB NAME & INFO	NOTES

ELEMENT
by Tech Lighting®

GENERATION BRANDS
7400 Linder Avenue, Skokie, Illinois 60077
T 847.410.4400 F 847.410.4500



© 2017 Tech Lighting, L.L.C. All rights reserved. The "Tech Lighting" graphic is a registered trademark of Tech Lighting, L.L.C. Tech Lighting reserves the right to change specifications for product improvements without notification.

PHOTOMETRICS: MERGE

DESCRIPTION: Merge LED Drop Down Spot
40° Optic, 80 CRI, 3500K

MODEL: RLS3D8354W

INPUT POWER (WATTS): 9.3

INPUT POWER FACTOR: 0.91

ABSOLUTE LUMINOUS FLUX (LUMENS): 8361

LUMEN EFFICACY (LUMENS PER WATT): 90

ANGLE	0°	45°	90°
0°	1742	1742	1742
5°	1679	1679	1690
10°	1509	1512	1523
15°	1244	1234	1240
20°	868	858	883
25°	510	506	518
30°	246	252	268
35°	117	120	126
40°	56	60	62
45°	30	32	33
50°	19	19	20
55°	13	13	14
60°	9	9	10
65°	6	7	7
70°	4	4	4
75°	3	3	3
80°	1	1	1
85°	0	0	0
90°	0	0	0

