

Creating a continuous uninterrupted line of beautiful, glare-free LED light, the ELEMENT Merge Flush LED linear system inconspicuously puts light where it is needed. The continuous line aesthetic created by the ELEMENT Merge system is enhanced using a specifically engineered 90° turn connector. Lines of LED light can be designed to seamlessly make 90° same-plane turns for enhanced design interest while also allowing the option to add spot heads for accent and task lighting, all without adding more light fixtures to the space.

Key Features:

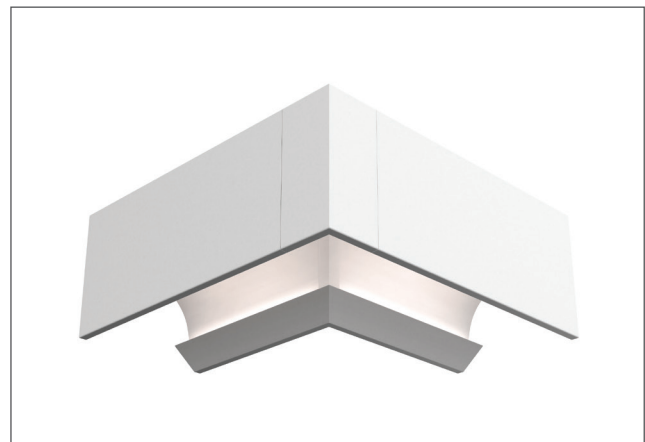
- 3-Step or better color binning
- Internal reflector finished with high reflectance matte white paint for even light distribution & optimal efficiency

SPECIFICATIONS

DELIVERED LUMENS	700 lms/ft or 350 lms/ft
WATTS	14 or 7
EFFICACY	75 l/w
CRI	80+, 90+
CCT OPTIONS	2700K, 3000K, 3500K, or Programmable White (2700K-4000K)
VOLTAGE	120V or 277V (Concealed 10 gauge, low-voltage bus bar, order 12-volt remote transformer sold separately)
DIMMING	ELV, 0-10V, Lutron Hi-Lume 2 Wire PWM (120V only) or Lutron Hi-Lume Eco System, 0-10V 1%, 0-10V 0.1%
CEILING APPEARANCE	Flush Mount
POWER SUPPLY**	Constant Current (Each linear channel includes a self-contained ELV, 0-10V, Lutron Hi-Lume 2 Wire PWM (120V only) or Lutron Hi-Lume, Eco System Fade-to-Black Driver)
CONSTRUCTION	Aluminum
HARDWARE	Steel
FINISH	White Powder Coat
LED LIFETIME	L70; 50,000 hours
WARRANTY*	5 years

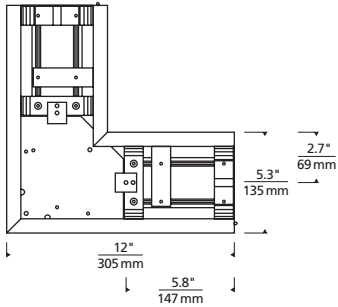
*Visit ELEMENT-lighting.com for specific warranty limitations and details.
**Consult Quotes Department for additional driver options.

Max run length is 80' for the channel; typical max run length is 40' for the low-voltage bus which can be powered from both sides for a total of 80'; system wattage will impact max run length



MERGE
shown flush mounted

DIMENSIONS



Flush 90° L connector (top view)

GRIDS

SYSTEM	TYPE	OUTPUT	CRI/COLOR TEMPERATURE	FINISH	CONTROLS
FLS3	L "L" CONNECTOR	70 700 LUMENS/FT DOWNLIGHT ONLY	827 80CRI, 2700K	W MATTE WHITE S SILVER	ELV/0-10V DIMMING UNV† (LEAVE BLANK) ELDOLED 0.1% 0-10V LINEAR UNV† ELD0A ELDOLED 0.1% 0-10V LOGARITHMIC UNV† ELD1 ELDOLED 1% 0-10V LINEAR UNV† ELD1A ELDOLED 1% 0-10V LOGARITHMIC UNV† HL2W LUTRON HI-LUME 1% 2 WIRE/PWM** HLECO LUTRON HI-LUME 1% ECOSYSTEM FADE-TO-BLACK UNV†
		30 350 LUMENS/FT DOWNLIGHT ONLY	830 80CRI, 3000K 835 80CRI, 3500K 927 90CRI, 2700K 930 90CRI, 3000K 935 90CRI, 3500K 82740 80CRI, PROGRAMMABLE WHITE*		
FLS3	L				

*0-10 VOLT DIMMING ONLY. WHEN ORDERING 82740, LEAVE CONTROLS COLUMN BLANK. **HL2W - TWO WIRE LOW-VOLTAGE ELECTRONIC DIMMING, 120 VOLT ONLY. †UNV - 120V/277V INPUT VOLTAGE.

PROJECT INFO

FIXTURE TYPE & QUANTITY	JOB NAME & INFO	NOTES

ELEMENT
by Tech Lighting[®]

GENERATION BRANDS
7400 Linder Avenue, Skokie, Illinois 60077
T 847.410.4400 F 847.410.4500



© 2017 Tech Lighting, L.L.C. All rights reserved. The "Tech Lighting" graphic is a registered trademark of Tech Lighting, L.L.C. Tech Lighting reserves the right to change specifications for product improvements without notification.