

Creating a continuous uninterrupted line of beautiful, glare-free LED light, the ELEMENT Merge Suspended LED linear system inconspicuously puts light where it is needed. The continuous line aesthetic created by the ELEMENT Merge system is enhanced using a specifically engineered 90° turn connector. Lines of LED light can be designed to seamlessly make 90° same-plane turns for enhanced design interest while also allowing the option to add spot heads for accent and task lighting, all without adding more light fixtures to the space.

**Key Features:**

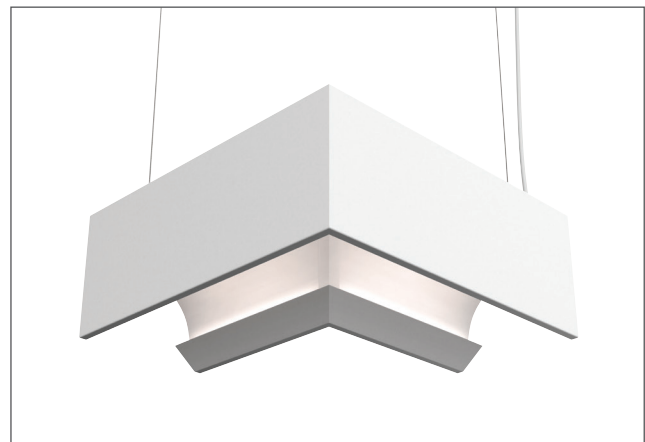
- 3-Step or better color binning
- Internal reflector finished with high reflectance matte white paint for even light distribution & optimal efficiency

**SPECIFICATIONS**

DELIVERED LUMENS	700 lms/ft or 350 lms/ft
WATTS	14 or 7
EFFICACY	75 l/w
CRI	80+, 90+
CCT OPTIONS	2700K, 3000K, 3500K, or Programmable White (2700K-4000K)
VOLTAGE	120V or 277V (Concealed 10 gauge, low-voltage bus bar, order 12-volt remote transformer sold separately)
DIMMING	ELV, 0-10V, Lutron Hi-Lume 2 Wire PWM (120V only) or Lutron Hi-Lume Eco System, 0-10V 1%, 0-10V 0.1%
CEILING APPEARANCE	Suspended aircraft cable or rigid stem
POWER SUPPLY**	Constant Current (Each linear channel includes a self-contained ELV, 0-10V, Lutron Hi-Lume 2 Wire PWM (120V only) or Lutron Hi-Lume, Eco System Fade-to-Black Driver)
CONSTRUCTION	Aluminum
HARDWARE	Steel
FINISH	White Powder Coat
LED LIFETIME	L70; 50,000 hours
WARRANTY*	5 years

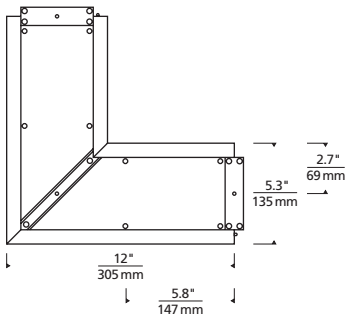
\*Visit ELEMENT-lighting.com for specific warranty limitations and details.  
\*\*Consult Quotes Department for additional driver options.

Max run length is 80' for the channel; typical max run length is 40' for the low-voltage bus which can be powered from both sides for a total of 80'; system wattage will impact max run length



**MERGE**  
shown suspended

## DIMENSIONS



Suspended 90° L connector (top view)

## GRIDS

SYSTEM	TYPE	OUTPUT	MOUNTING	CRI/COLOR TEMPERATURE	FINISH	CONTROLS	
SLS3	L "L" CONNECTOR	70	700 LPF DOWNLIGHT ONLY	SR04 48" RIGID STEM	0 DOWNLIGHT / 0 UPLIGHT (LEAVE BLANK)	W MATTE WHITE	ELV/0-10V DIMMING UNV† (LEAVE BLANK)
		30	350 LPF DOWNLIGHT ONLY	SR08 96" RIGID STEM		S SILVER	ELD0 ELDOLED 0.1% 0-10V LINEAR UNV†
		00	0 DOWNLIGHT/0 UPLIGHT	SA04 48" ADJUSTABLE CABLE	827 80CRI, 2700K		ELD0A ELDOLED 0.1% 0-10V LOGARITHMIC UNV†
				SA12 144" ADJUSTABLE CABLE	830 80CRI, 3000K		ELD1 ELDOLED 1% 0-10V LINEAR UNV†
					835 80CRI, 3500K		ELD1A ELDOLED 1% 0-10V LOGARITHMIC UNV†
					927 90CRI, 2700K		HL2W LUTRON HI-LUME 1% 2 WIRE/PWM**
					930 90CRI, 3000K		HLECO LUTRON HI-LUME 1% ECOSYSTEM FADE-TO-BLACK UNV†
					935 90CRI, 3500K		
					82740 80CRI, PROGRAMMABLE WHITE*		

SLS3 L

\*0-10 VOLT DIMMING ONLY. WHEN ORDERING 82740, LEAVE CONTROLS COLUMN BLANK. \*\*HL2W - TWO WIRE LOW-VOLTAGE ELECTRONIC DIMMING, 120 VOLT ONLY. †UNV - 120V/277V INPUT VOLTAGE.

## PROJECT INFO

FIXTURE TYPE & QUANTITY	JOB NAME & INFO	NOTES

**ELEMENT**  
by Tech Lighting<sup>®</sup>

GENERATION BRANDS  
7400 Linder Avenue, Skokie, Illinois 60077  
T 847.410.4400 F 847.410.4500



© 2017 Tech Lighting, L.L.C. All rights reserved. The "Tech Lighting" graphic is a registered trademark of Tech Lighting, L.L.C. Tech Lighting reserves the right to change specifications for product improvements without notification.