

ENTRA™ 3" CYLINDER

WALL WASH CYLINDER

The ENTRA 3" Wall Wash Cylinder provides a cost-effective option with a modern aesthetic for residential, hospitality and commercial applications. ENTRA 3" Wall Wash Cylinders are a great solution for illumination in exposed ceiling applications. Mounting options include flush mount, surface mount, pendant mount and conduit mount. LED is recessed in the cylinder minimizing glare with warm dimming and static white options. Available in Black, Brushed Aluminum, and White (field paintable).

- Optimized wall wash beam distribution
- 1-step standard color binning



SHOWN IN WHITE

LUMEN MULTIPLIER (CRI/CCT)

CCT	80 CRI MULTIPLIER	90 CRI MULTIPLIER
2700K	—	0.75
3000K	—	0.80
3500K	1.00	—

Lumen output will vary by CCT and CRI. See photometric charts for output information. Data in chart reflect 3500K/80 CRI values unless noted.

SPECIFICATIONS

	STATIC WHITE		WARM DIM	
WATTAGE	Lumens	Efficacy	Lumens	Efficacy
12W	856	76	526	45
15W	1066	72	677	44
19W	1275	70	806	40
CRI	80+, 90+		90+	
CCT	2700K, 3000K, or 3500K		3000K - 1800K	
COLOR CONSISTENCY	1-step		3-step	
VOLTAGE	120V or 277V			
DIMMING ¹	Standard reverse-phase, forward-phase, TRIAC, and 0-10V dimming (down to 5%) ¹ Lutron Hi-lume EcoSystem (down to 0.1%) Lutron Hi-lume 2-wire (down to 1%) eldoLED 0-10V or Dali (down to 0.1%)			
POWER SUPPLY	Constant current driver with +0.9 power factor and +80% efficiency			
CEILING APPEARANCE	Flush mount Surface mount (canopy) Pendant mount (canopy) Conduit mount (j-box)			
CONSTRUCTION	Cylinder: Aluminum			
FINISH	Reflector: White, Black, or Brushed Aluminum Cylinder: White, Black, or Brushed Aluminum			
GENERAL LISTINGS	ETL Listed, Damp Location.			
CALIFORNIA TITLE 24	Registered CEC appliance database. Complies with CEC 2019 Title 24 Part 6 (JAB-2016, JAB-2019) (for 90 CRI versions).			
L70	50,000 hours min			
WARRANTY ²	5 years			

Data in chart reflect 3500K/80 CRI values unless noted.

Ordering grids available on page 2.

¹See ELEMENT-Lighting.com for dimmer compatibility.

²Visit ELEMENT-Lighting.com for specific warranty limitations and details.

ENTRA™ 3" CYLINDER

WALL WASH CYLINDER

ORDERING GRIDS

CYLINDER

PRODUCT	MOUNTING	OUTPUT	CRI/CCT	FUNCTION	DRIVERS	REFLECTOR FINISH	CYLINDER FINISH
ENCY3R ENTRA CYLINDERS 3" ROUND	F FLUSH MOUNT ¹	-L12 12W (1400 LMS)	835 80 CRI, 3500, 1-STEP	WW WALL WASH	INTEGRATED DRIVERS 120V/277V -UNV UNIVERSAL PHASE/0-10V 5% ⁴	-B BLACK -W WHITE -A BRUSHED ALUMINUM	B BLACK W WHITE A BRUSHED ALUMINUM
	S SURFACE MOUNT (CANOPY)	-L15 15W (1800 LMS)	927 90 CRI, 2700K, 1-STEP				
	P PENDANT MOUNT (CANOPY) ²	-L19 19W (2250 LMS) ⁴	930 90 CRI, 3000K, 1-STEP				
	C CONDUIT MOUNT (J-BOX) ³		9WD 90 CRI, WARM DIM, 3000-1800K, 3-STEP				
					REMOTE DRIVERS 120V/277V⁵		
					-ELDO ELDOLED 0.1% 0-10V LINEAR		
					-ELDOA ELDOLED 0.1% 0-10V LOGARITHMIC		
					-ELDD ELDOLED 0.1% DALI		
					-HLECO LUTRON HI-LUME 0.1% ECOSYSTEM		
					REMOTE DRIVERS 120V⁵		
					-HL2W LUTRON HI-LUME 1% 2-WIRE ⁶		
ENCY3R		-		WW	-	-	

For dimming details, refer to dimmer compatibility chart.

¹F - Flush mount includes adapter plate to assemble to standard 4" square or octagonal junction boxes prior to ceiling install.

²P - Pendant mount for use with CPS Cylinders pendant stems.

³C - Conduit mount includes custom junction box assembled at/below the ceiling.

⁴L19/L27 - L19 and L27 output with UNV driver dims down to 5% min only. Universal dimming is reverse-phase, forward-phase, TRIAC, and 0-10V. 277V is only compatible with 0-10V dimming.

⁵Remote drivers ship in 4" x 8" x 1.8" black enclosure for remote location mounting.

⁶HL2W - Lutron Hi-lume 2-wire driver standard phase dimming, 120V only. Not available with L19 output.

PENDANT STEMS¹

PRODUCT	LENGTH ²	FINISH
ECPS	12 12"	B BLACK
	24 24"	W WHITE
	36 36"	A BRUSHED ALUMINUM
	48 48"	
	60 60"	
	72 72"	

ECPS

¹Required for pendant mount only.

²Consult Quotes Department for custom lengths to the inch.

VAULTED CEILING ADAPTER¹

PRODUCT	FINISH
ECVA	B BLACK
	W WHITE
	A BRUSHED ALUMINUM

ECVA

¹For use with pendant mount. Adds 1.7" to the overall length of the stem. Accommodates slopes up to 45 degrees.

ENTRA™ 3" CYLINDER

WALL WASH CYLINDER

CYLINDERS

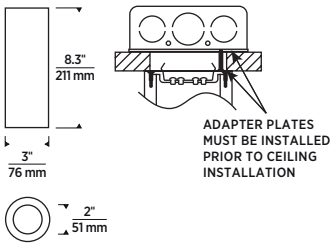
FLUSH MOUNT



WHITE

BRUSHED ALUMINUM

BLACK



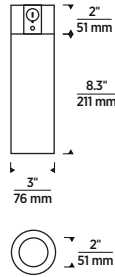
CONDUIT MOUNT (J-BOX)



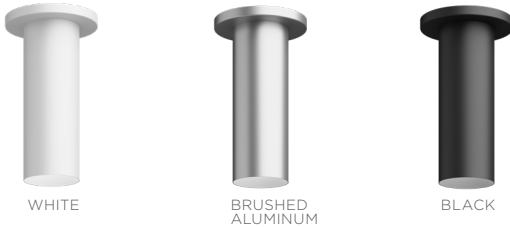
WHITE

BRUSHED ALUMINUM

BLACK



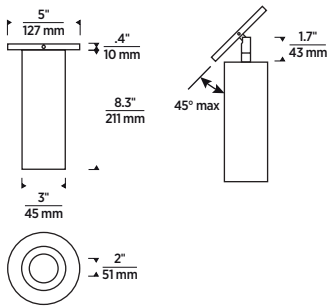
SURFACE MOUNT (CANOPY)



WHITE

BRUSHED ALUMINUM

BLACK



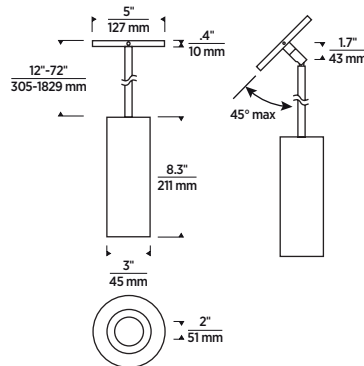
PENDANT MOUNT (CANOPY)



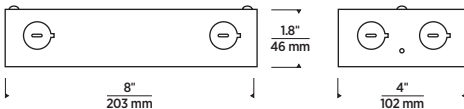
WHITE

BRUSHED ALUMINUM

BLACK



REMOTE DRIVER J-BOX



ENTRA™ 3" CYLINDER

WALL WASH CYLINDER

PHOTOMETRICS

Description: 3" Cylinder Wall Wash
80 CRI, 3500K

Model: 3" Cylinder Wall Wash

Input Power (Watts): 18.3

Input Power Factor: 0.99

Absolute Luminous Flux (Lumens): 1275

Lumen Efficacy (Lumens per Watt): 70

Description: 3" Cylinder Wall Wash
90 CRI, Warm Dim

Model: 3" Cylinder Wall Wash

Input Power (Watts): 20.1

Input Power Factor: 0.98

Absolute Luminous Flux (Lumens): 806

Lumen Efficacy (Lumens per Watt): 40

ANGLE	0°	45°	90°
0°	702	702	702
5°	707	703	700
10°	705	704	693
15°	697	701	679
20°	687	689	657
25°	671	665	614
30°	644	622	548
35°	592	540	465
40°	499	420	374
45°	358	302	254
50°	200	187	182
55°	136	131	145
60°	102	99	106
65°	67	66	68
70°	43	39	42
75°	28	25	022
80°	17	15	12
85°	8	6	5
90°	0	0	0

ANGLE	0°	45°	90°
0°	325	325	325
5°	286	297	324
10°	2259	277	320
15°	244	262	317
20°	236	250	313
25°	232	238	309
30°	227	224	302
35°	214	206	288
40°	195	186	262
45°	170	160	220
50°	139	127	157
55°	96	87	105
60°	69	66	72
65°	49	47	49
70°	32	29	31
75°	21	19	16
80°	13	11	9
85°	6	5	4
90°	0	0	0

