

Creating a smooth transition from ceiling to downlight trim is dependent on an essential, though seemingly simple installation piece. The mud plate (or plaster plate) is the bridge that creates the flangeless appearance from below the ceiling and allows plaster to be applied up to and around the trim aperture. Designing a mud plate that is durable and integral to the housing is critical for a beautiful ceiling finish. No seams. No cracks. No flexing.

Die-cast features

- Durable die-cast design eliminates warping for a smooth, seamless appearance
- Counter-sunk screw holes simplify mudding and sanding
- Integrated gunsights ensure optimal trim alignment
- Cardboard inserts protect housing from dust and plaster (used with all ELEMENT applications)
- Round not compatible with Lutron or eldoLED drivers

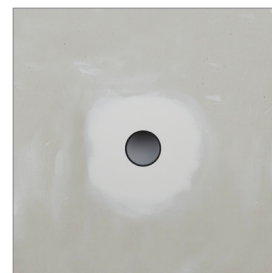
Sheet metal features

- Optional, thinner, meshed sheet-metal mud plates available for minimized plaster feathering to meet installer preference
- Cardboard inserts protect housing from dust and plaster (used with all ELEMENT applications)
- Round not compatible with Lutron or eldoLED drivers
- Square not compatible with eldoLED drivers



3" ROUND DIE-CAST MUD PLATE INSTALLED

The standard 3" aperture die-cast mud plate (also standard on Multiples and BYOM housings) creates a tight, inflexible bond with the housing. The robust design requires wider plaster feathering with less potential for cracking.

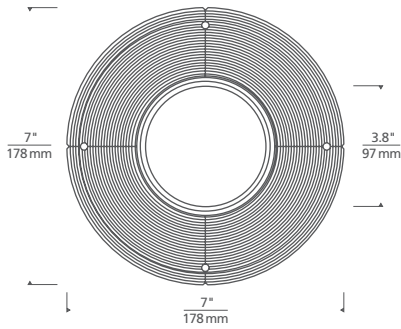


3" ROUND SHEET-METAL MUD PLATE INSTALLED

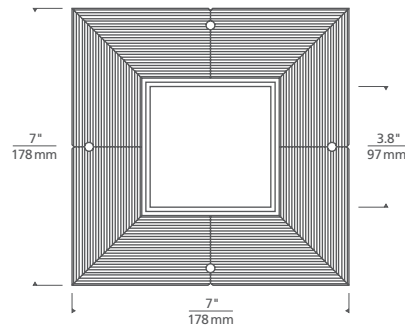
Sheet-Metal mud plates (standard on 4" and 2" housings, optional for 3" housings) allow for less plaster feathering in tightly configured downlight installations.

3" PLASTER HOUSING

ROUND DIE-CAST*



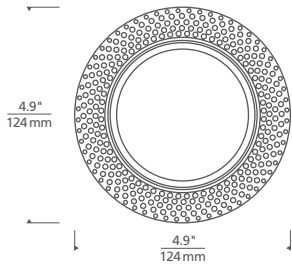
SQUARE DIE-CAST*



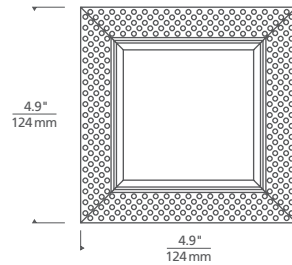
*Die-cast ships standard with flangeless housing

3" HOUSING

ROUND SHEET METAL



SQUARE SHEET METAL



GRIDS

PLASTER PLATES

ITEM #	DESCRIPTION	SHAPE	COMPATIBILITY
150E3RTPLT-W	3" NEW CONSTRUCTION THIN PLASTER PLATE	ROUND	USED TO CONVERT 3" UNITS INTO FLANGELESS
150E3STPLT-W	3" NEW CONSTRUCTION THIN PLASTER PLATE	SQUARE	USED TO CONVERT 3" UNITS INTO FLANGELESS
150E3SPPLT-A	3" NEW CONSTRUCTION PLASTER PLATE	SQUARE	USED TO CONVERT 3" UNITS INTO FLANGELESS
150E3RPPLT-A	3" NEW CONSTRUCTION PLASTER PLATE	ROUND	USED TO CONVERT 3" UNITS INTO FLANGELESS

PROJECT INFO

FIXTURE TYPE & QUANTITY

JOB NAME & INFO

NOTES
