

Round or Square 2" Ultra Shallow Type IC Housing with LED Lamp

E2_-_DS_ 1.1



CAUTION - RISK OF FIRE
This product must be installed in accordance with the applicable installation code by a person familiar with the construction and operation of the product and the hazards involved.
Use minimum 90°C supply conductors.

GENERAL PRODUCT INFORMATION:

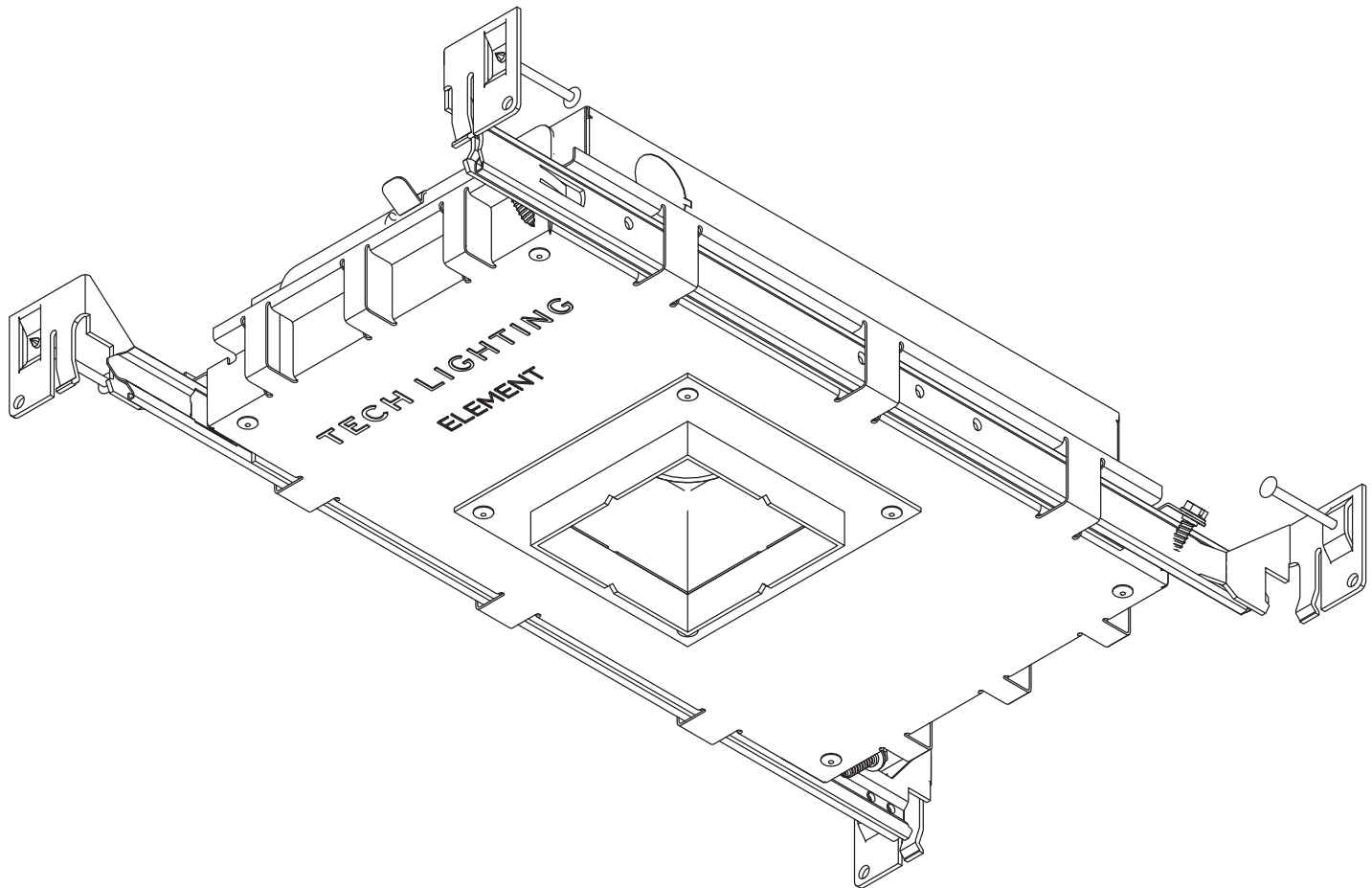


This product is suitable for indoor locations.

This product can be dimmed with a standard electronic dimmer.

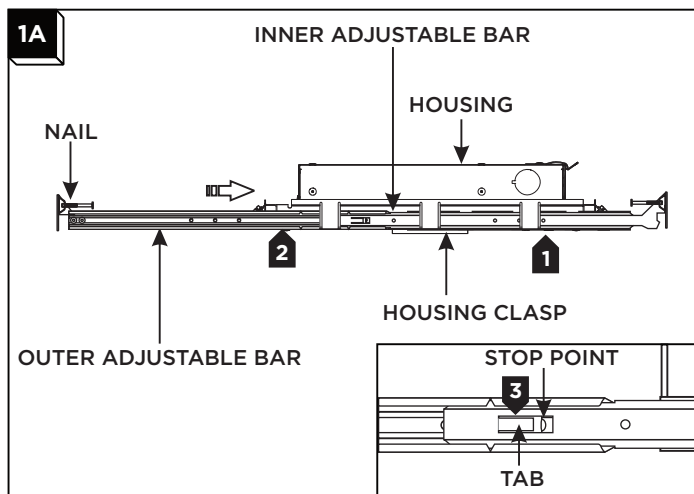
SAVE THESE INSTRUCTIONS!

This instruction shows a typical installation.

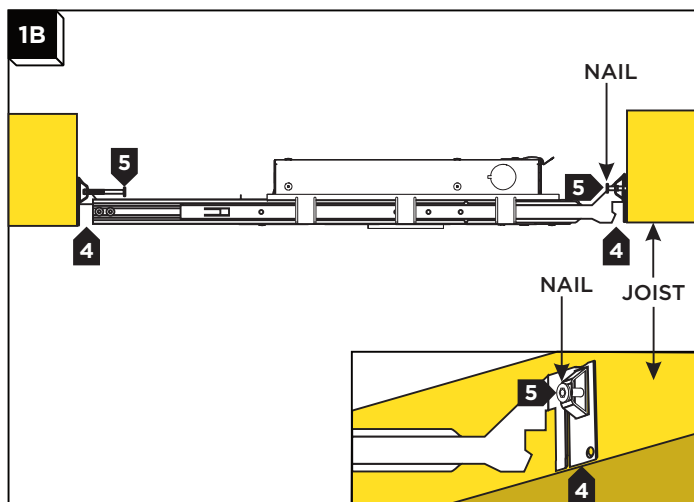


TECH LIGHTING
7400 Linder Ave., Skokie, IL 60077
T 847.410.4400 | F 847.410.4500
www.techlighting.com

Install the Housing with Adjustable Bars

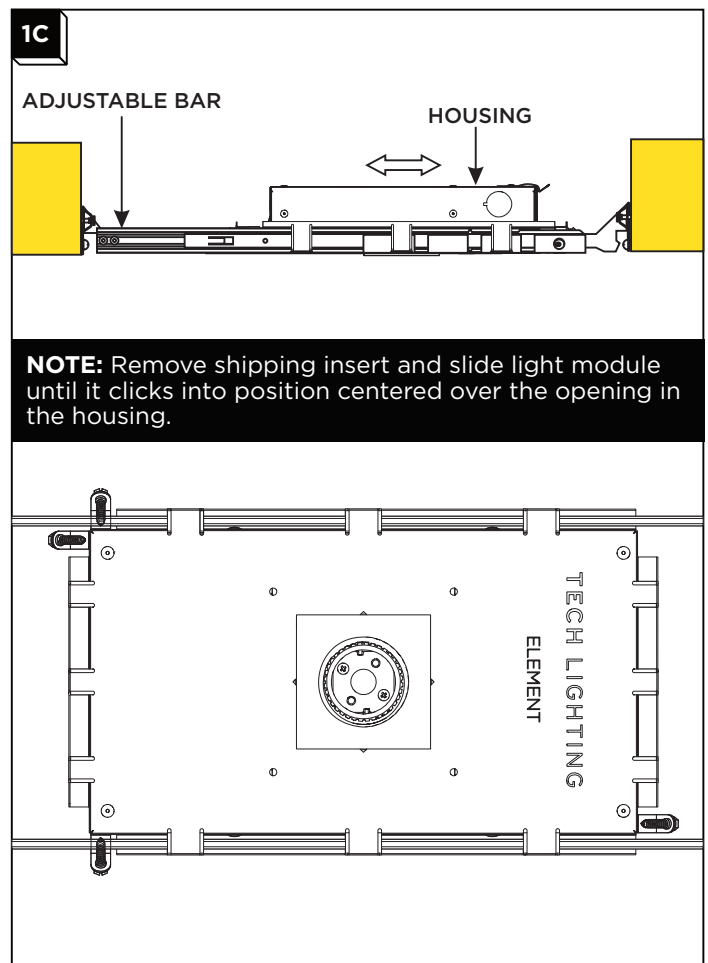


- 1 Slide the inner adjustable bar completely through the three housing clasps. Make sure the nail is on top.
- 2 Slide and push the outer adjustable bar completely onto the inner adjustable bar so that the tab clicks into place behind the stop point. This will prevent the adjustable bars from coming apart.
- 3 Repeat steps 2 & 3 for the other side of the housing.



NOTE: The adjustable bars can be mounted to joists that are spaced 16" - 24" apart.

- 4 Align the bottom of the end plates with the bottom of the ceiling joists.
- 5 Level the adjustable bars and, with a hammer, tap the nails completely into the joists to secure the adjustable bars in place.



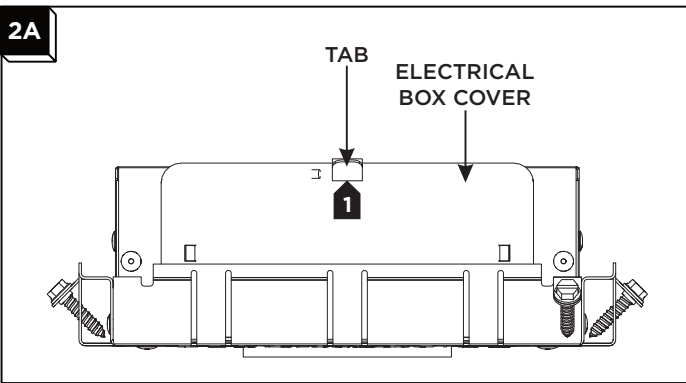
- 6 Adjust the housing position (horizontal position) by sliding the housing on adjustable bars.
- 7 When the desired location is achieved, tighten the two #6 self tapping screws to lock the housing onto the adjustable bars.

NOTE: See step 3 to align multiple housings using the notches.

Connect Power (Internal Drivers)

NOTE: For remote driver installation, skip to step 3A.

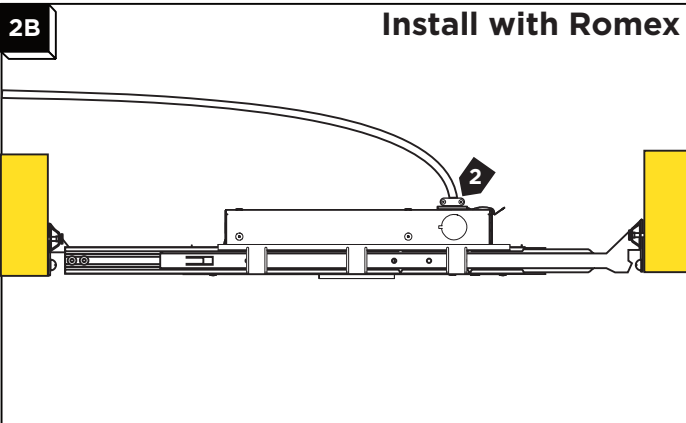
2A



- 1 Push up on the tabs on the electrical box and remove the electrical box cover.

2B

Install with Romex



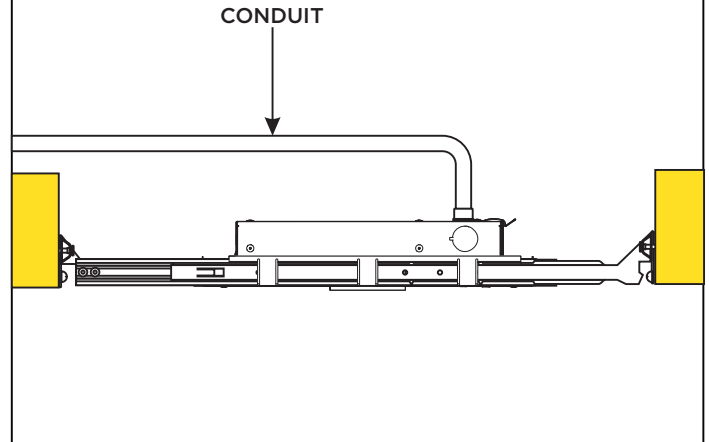
NOTE: When using Conduit this step is not necessary, skip ahead to 2C.

- 2 Install the Romex to the housing using lowest knock-out possible.
- 3 Use the wiring diagrams to wire your fixture accordingly.
- 4 Reinstall the electrical box cover.

NOTE: When a fixture is installed in a location that requires servicing from below the ceiling through the fixture aperture, the branch circuit connections need to be able to be brought out through the aperture. To accomplish this, an NM type cable in conjunction with snap-in/push-in connectors must be used and a 12" service loop must be left available outside of the fixture housing wiring compartment to allow additional branch circuit wiring to be pulled through the snap-in/push-in connector and extended out through the aperture below ceiling level.

2C

Install with Conduit

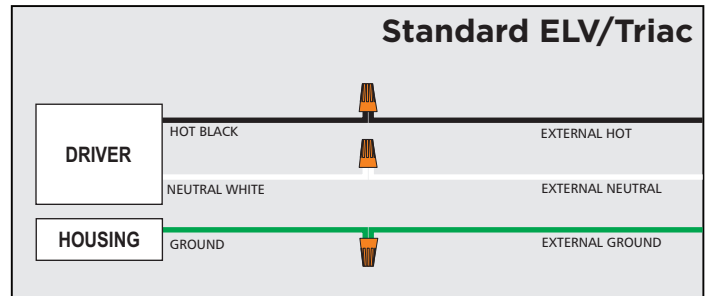


NOTE: When using Romex this step is not necessary, skip ahead to 3A

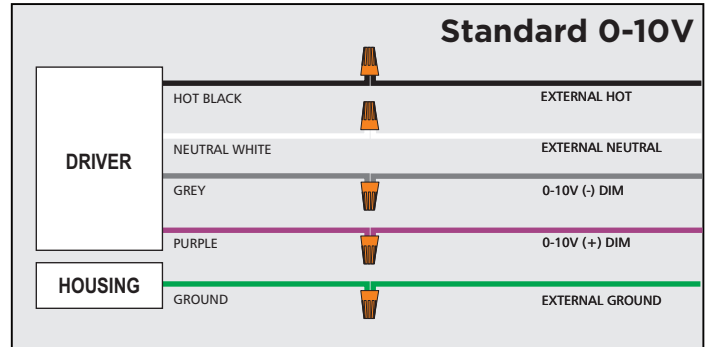
- 5 Install conduit to the housing using the lowest knock-out possible.
- 6 Use the wiring diagrams to wire your fixture accordingly.
- 7 Reinstall the electrical box cover.

Wiring Diagrams (Internal Drivers)

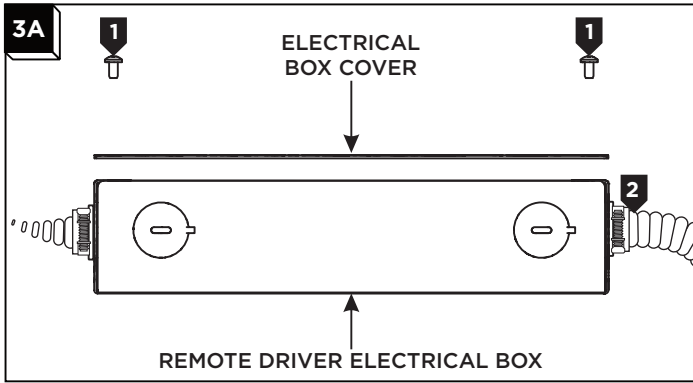
Standard ELV/Triac



Standard 0-10V

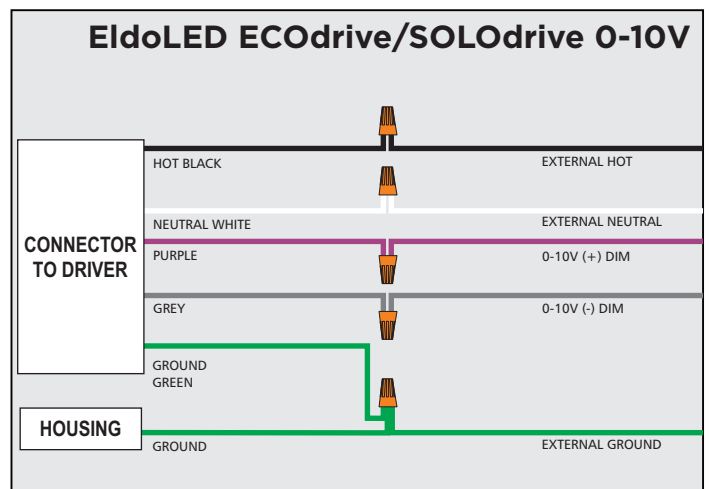
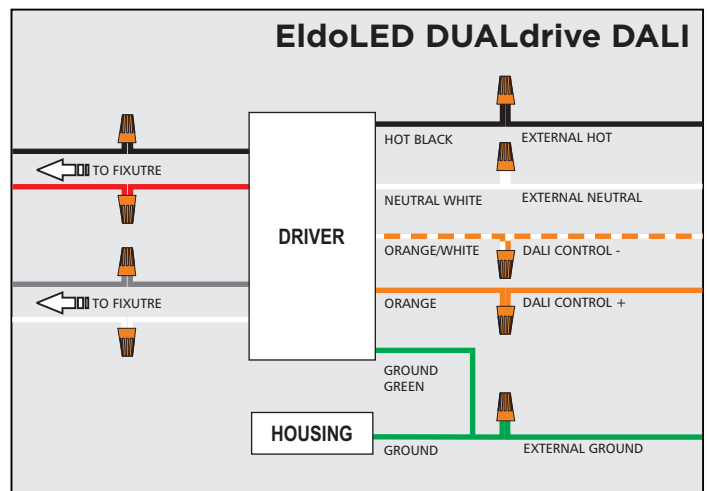
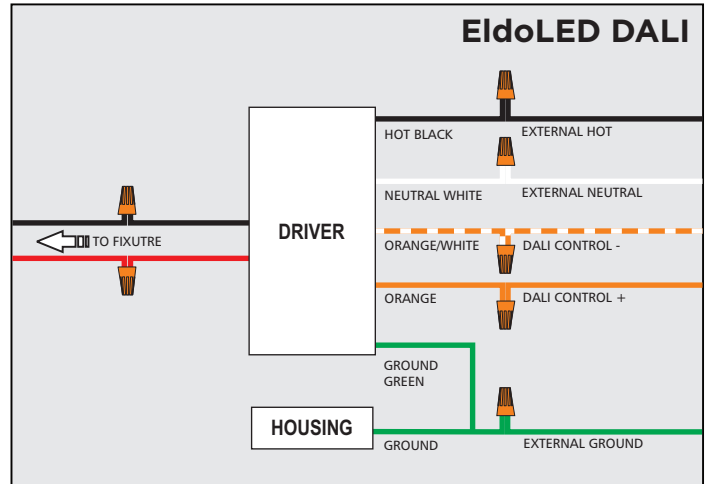
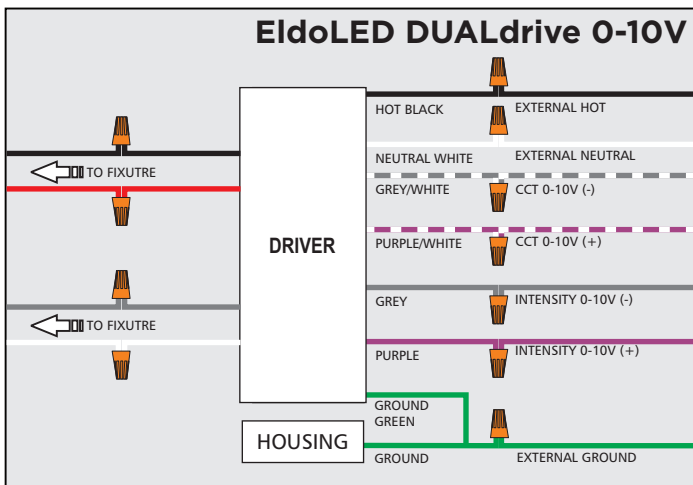
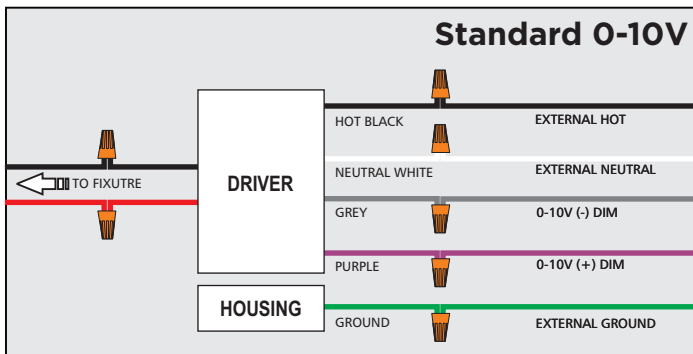
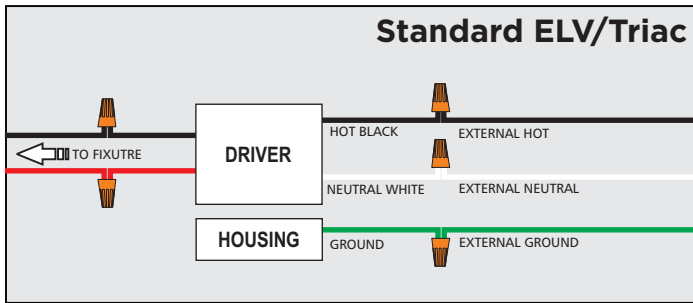


Connect Power to the Housing (Remote Drivers)

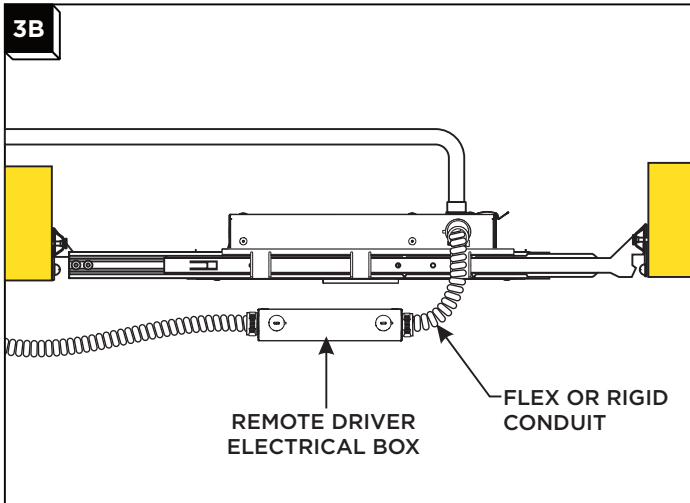


- 1 Open remote driver junction box by removing 2 screws.
- 2 Connect conduit or Romex to junction box with the proper fittings
- 3 Use the wiring diagrams to wire your fixture accordingly.

Wiring Diagrams (Remote Drivers)

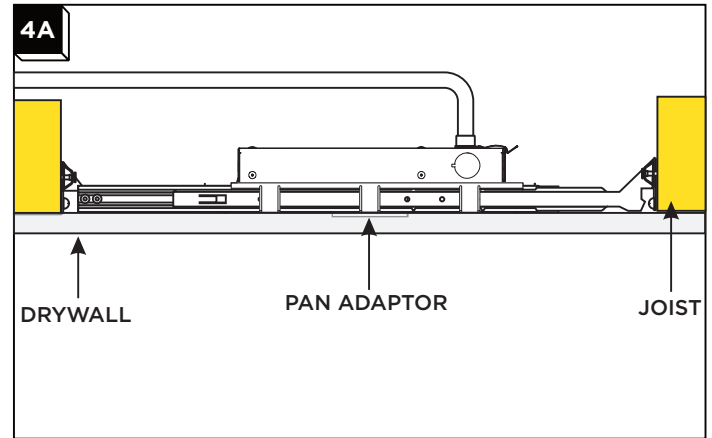
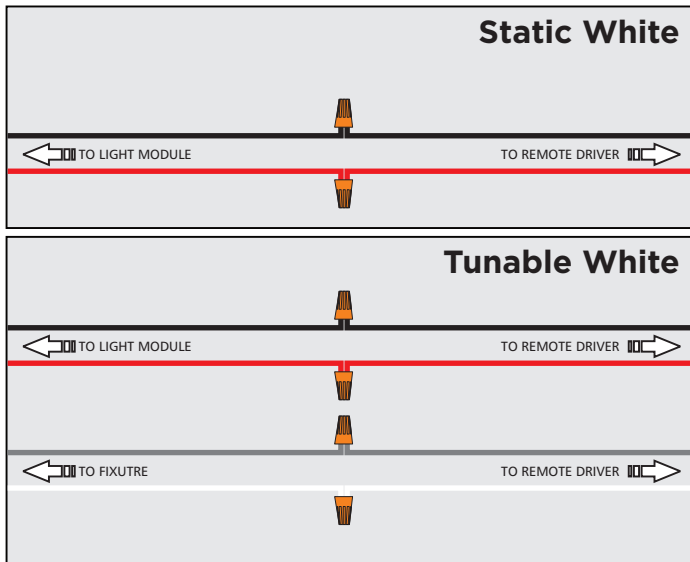


Install Drywall (For Flangeless Only)



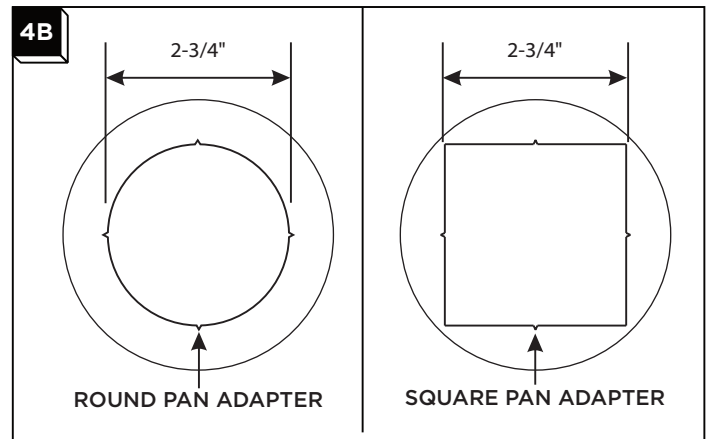
- 1 Connect the remote driver junction box to the fixture with conduit and the proper fittings.
- 2 Use the wiring diagrams to wire your fixture accordingly.
- 3 Reinstall the remote driver junction box cover.

Light Module to Remote Driver Wiring Diagrams



- 1 Install the drywall keeping note of the location of the housing's opening

Note: The fixture will accommodate a 1/2" to 1-1/4" ceiling thickness.

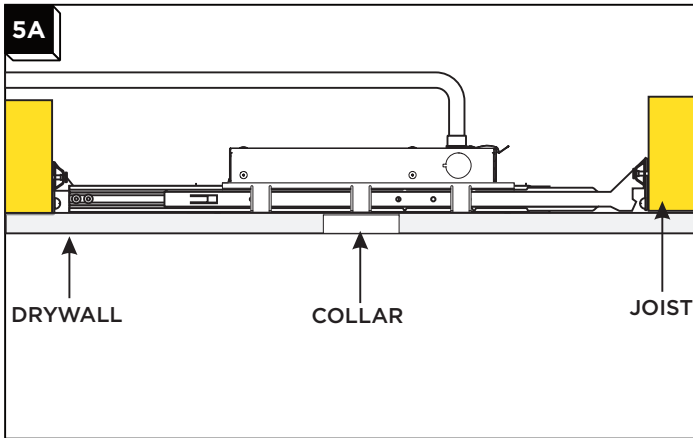


- 2 For round trims, mark the location of the 2-3/4" diameter circle on drywall. Use the inside edge of the housing pan adaptor as a guide to cut the hole.

For square trims, mark the location of the 2-3/4" square on drywall. Use the inside edge of the housing pan adaptor as a guide to cut the hole.

NOTE: For flanged versions skip ahead to section 7.

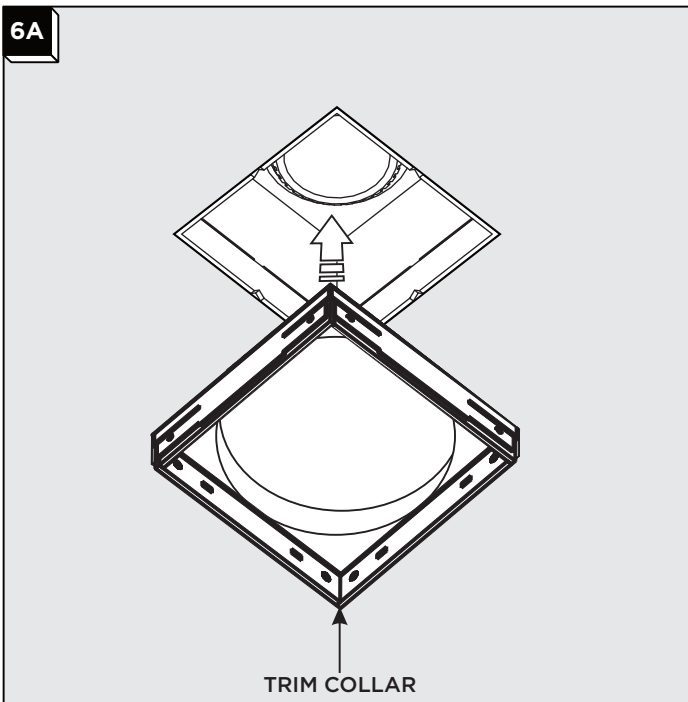
Install Drywall (For Flanged Only)



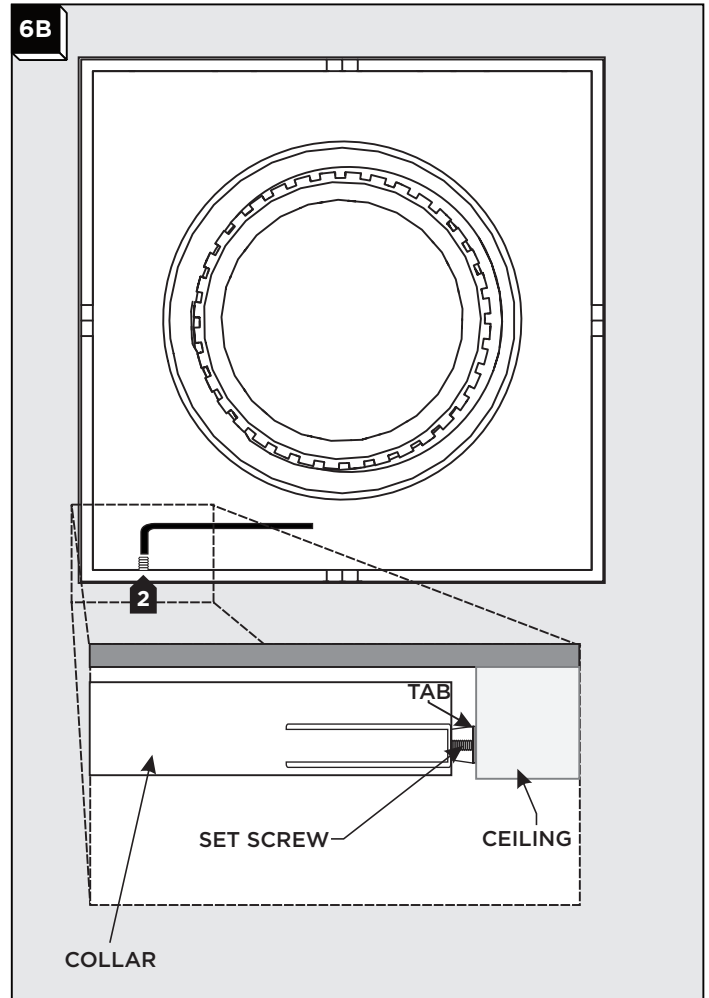
Note: The fixture will accommodate a 1/2" to 1-1/4" ceiling thickness.

- 1 Install the drywall keeping note of the location of the housing's opening
- 2 Mark the location of the round or square collar on the drywall. Use the outside edge of the collar as a guide to cut the hole.

Install the Trim Collar (Flangeless Versions Only)



- 1 Push the trim collar into the ceiling cut-out until the bottom of the collar is flush with or slightly above the bottom of the ceiling.



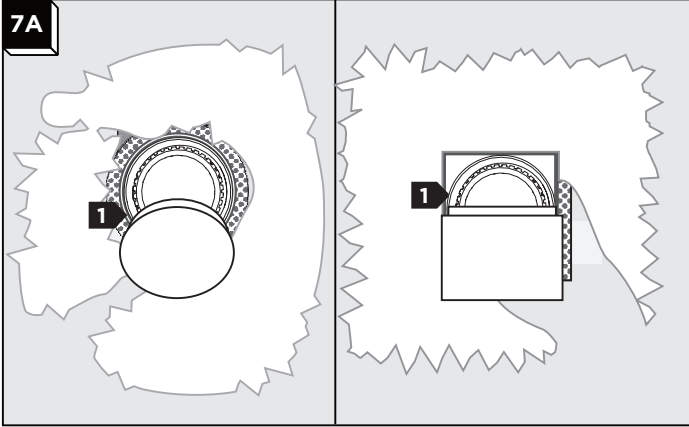
- 2 Use the provided Allen wrench and set screws to secure the collar to the ceiling, ensuring the screws are flush with the surface of the collar so they will not interfere with the trim installation.
- 3 Verify that the collar does not protrude below the ceiling using a straight edge. If so, loosen the set screws and adjust accordingly.

NOTE: Longer set screws have been provided for instances where the hole is cut too large.

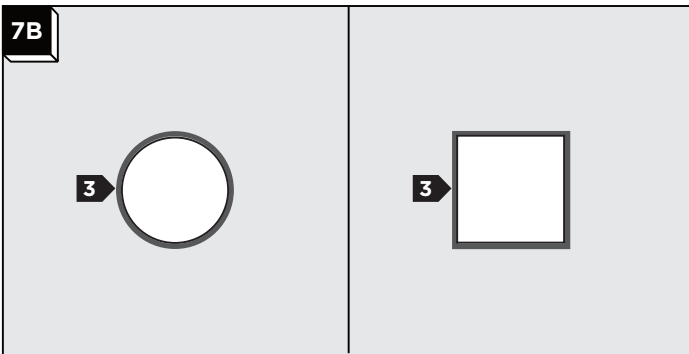
Square trims use 4 pre-installed set screws. (2 and 2 on opposite sides. 4 additional screws have been provided to add optional stability on all 4 sides if desired.)

Round trims use 3 set screws.

Mud in the Plaster Plate (For Flangless Versions Only)

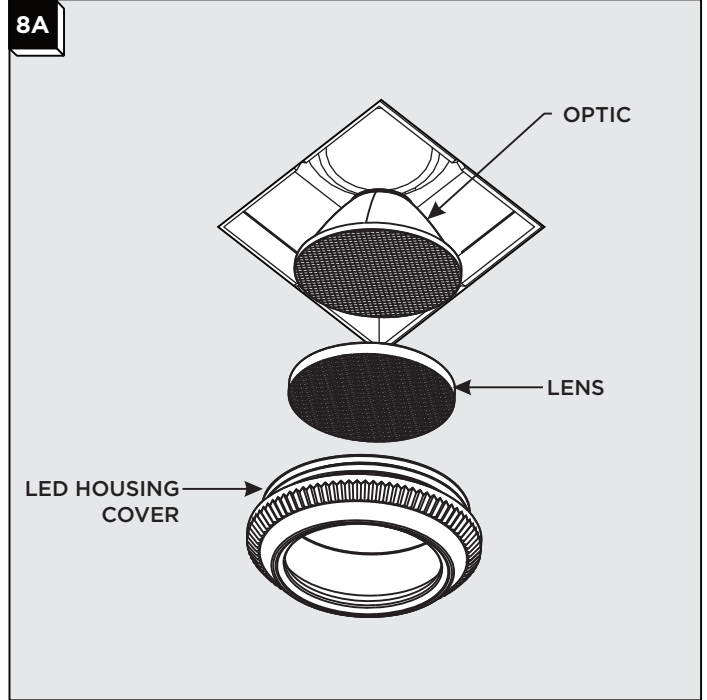


- 1 Plug the collar with the provided dust shield.
- 2 Properly plaster onto the plaster ring and drywall.



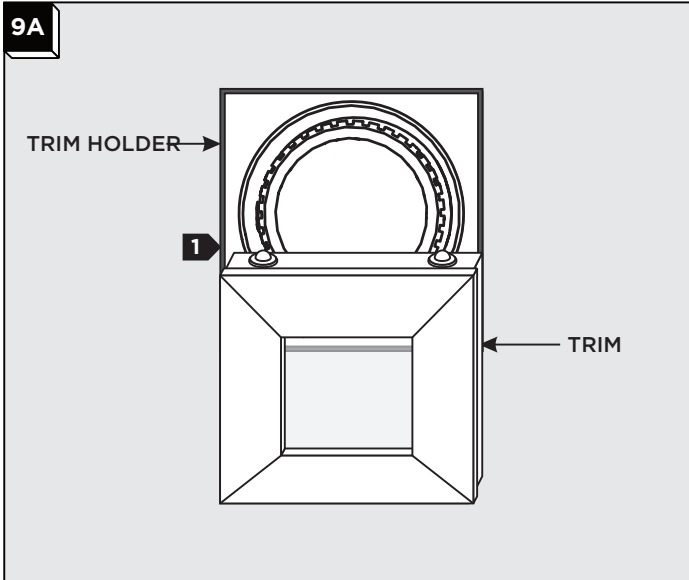
- 3 Finish around the collar to match drywall.

Optics and Lenses

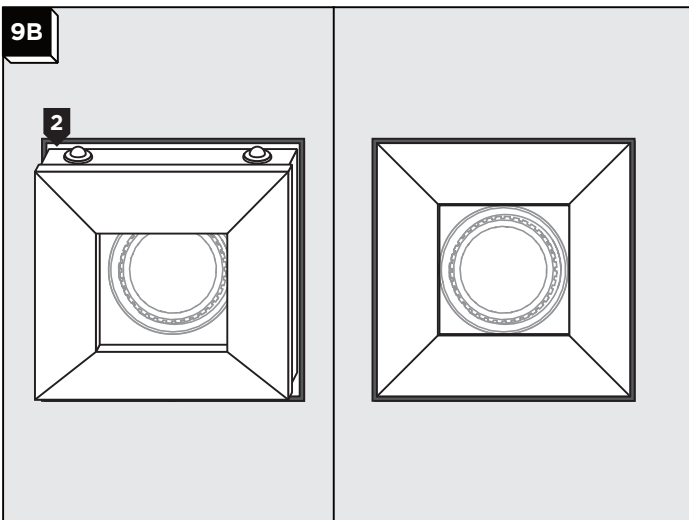


- 1 Unscrew and remove the LED housing cover.
- 2 Remove the optic.
- 3 If installing an optional lens, rest the lens inside the housing cover.
- 2 Install the optic (replacement or existing) inside the LED housing cover.
- 3 Screw the LED housing cover back on leaving it less-than-snug. Stop tightening the moment any resistance is felt. The cover will not sit flush to the base when using lenses. Do not try to force the cover to become flush.

Install the Trim



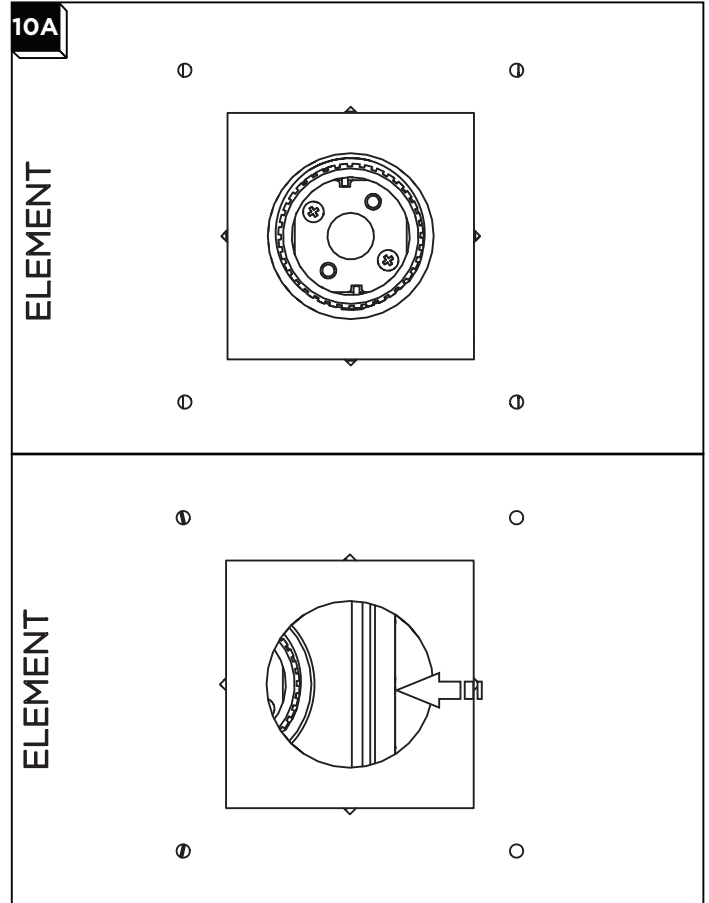
- 1 Align the trim with the inner edge of the trim holder.



- 2 Push the trim into the trim holder so that it snaps into place.

NOTE: Your trim may appear differently than the depicted trim. However, the process to install is the same for all standard trims.

Service the Fixture



- 1 This housing features a sliding heatsink which moves to allow access to the electrical components from below the ceiling.
- 2 When finished, move the heatsink back to the center position until it clicks into place.
- 3 In the center position, the heatsink forms an electrical enclosure which meets UL1598.