

Round or Square 2" Type IC Adjustable Housing with LED Lamp in Wood Ceilings

E2 - I- 1.2



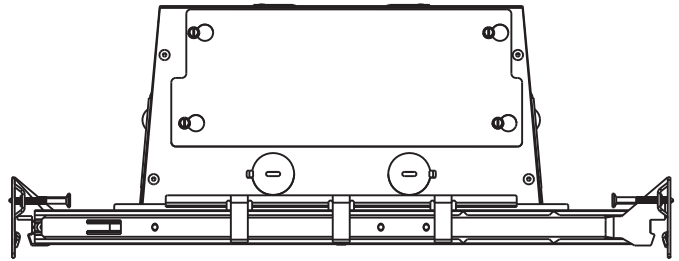
GENERAL PRODUCT INFORMATION:

This product is suitable for indoor locations.

This product can be dimmed with a standard electronic dimmer.

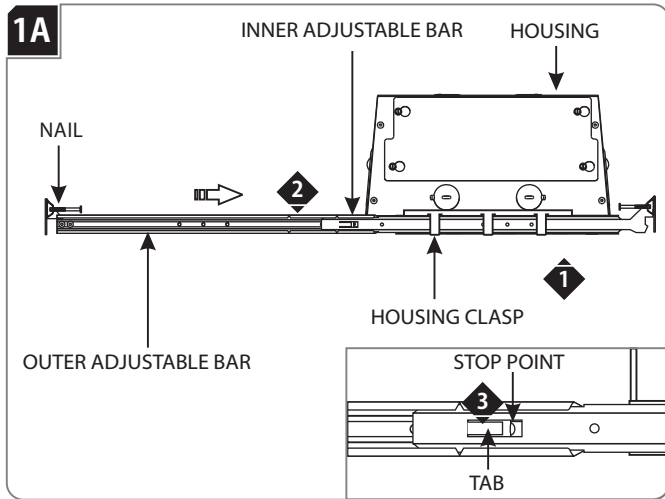
This instruction shows a typical installation.

Minimum wood ceiling: 1/2" thickness.

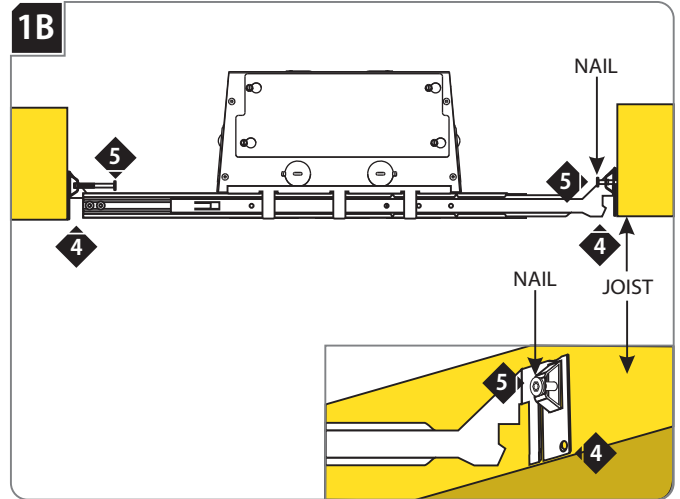


CAUTION - RISK OF FIRE
 This product must be installed in accordance with the applicable installation code by a person familiar with the construction and operation of the product and the hazards involved.
 Use minimum 90°C supply conductors.

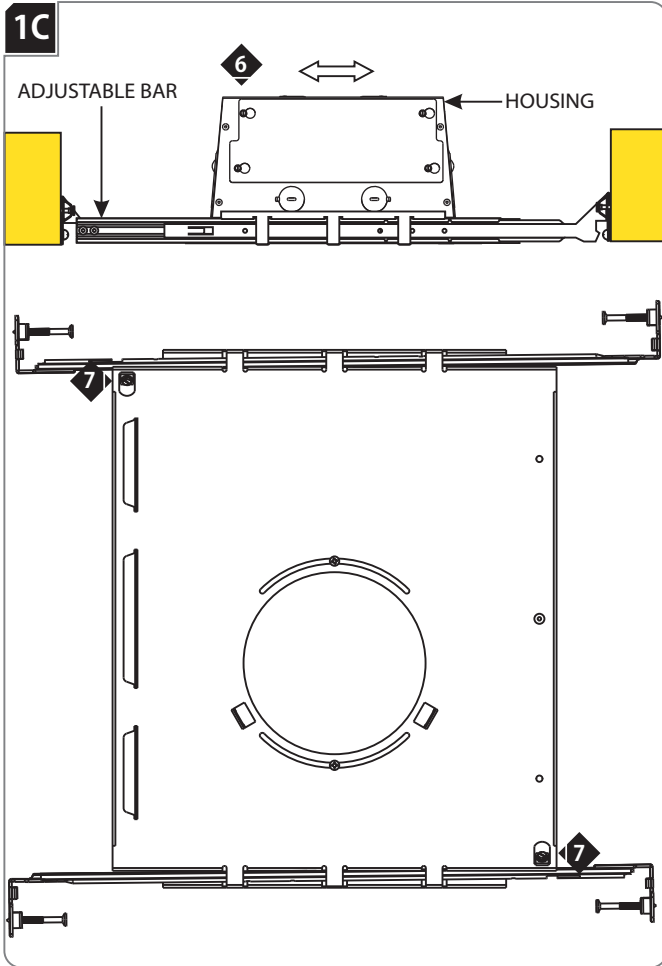
Install the Housing with Adjustable Bars



- 1 Slide the inner adjustable bar completely through the three housing clasps. Make sure the nail is on top.
- 2 Slide and push the outer adjustable bar completely onto the inner adjustable bar so that the tab clicks into place behind the stop point. This will prevent the adjustable bars from coming apart.
- 3 Repeat steps 2 & 3 for the other side of the housing.

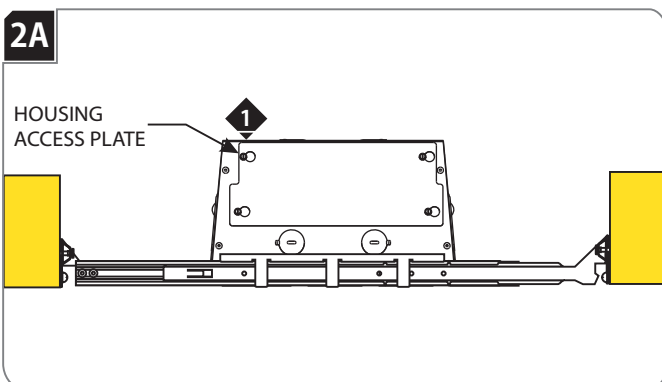


- NOTE:** The adjustable bars can be mounted to joists that are spaced 16" - 24" apart.
- 4 Align the bottom of the end plates with the bottom of the ceiling joists.
 - 5 Level the adjustable bars and, with a hammer, tap the nails completely into the joists to secure the adjustable bars in place.

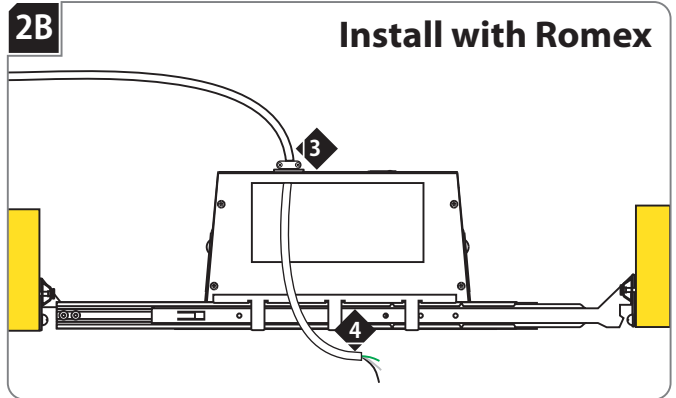


- 6 Adjust the housing position (horizontal position) by sliding the housing on adjustable bars.
- 7 When the desired location is achieved, tighten the two #6 self tapping screws to lock the housing onto the adjustable bars.

Connect Power to the Housing



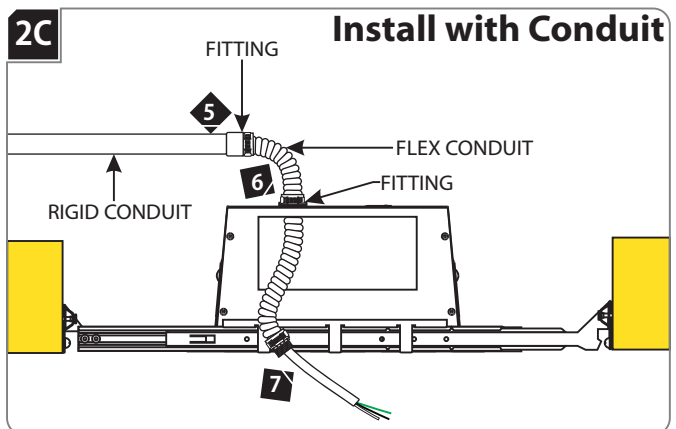
- 1 Loosen (**Do not remove**) the four screws on the side panel.
- 2 Slide housing access plate over so that the screws fit in the larger opening of the keyholes and pull the plate straight out.



NOTE: When using Conduit this step is not necessary, skip ahead to 2C.

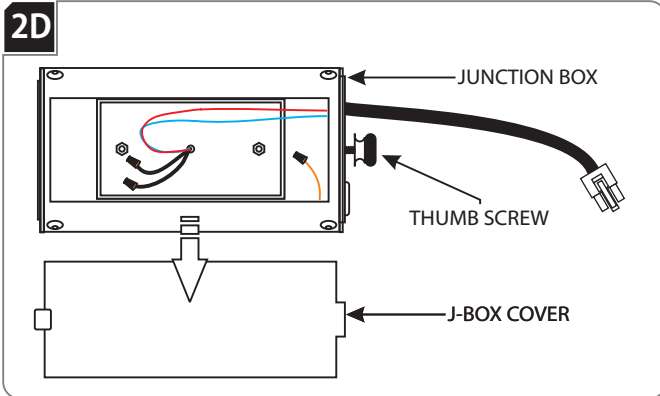
- 3 Install the Romex to the housing using lowest knock-out possible to reduce visibility.
- 4 Leave an extra 12" service loop of field wires prior to termination at J-box.

NOTE: When a fixture is installed in a location that requires servicing from below the ceiling through the fixture aperture, the branch circuit connections need to be able to be brought out through the aperture. To accomplish this, an NM type cable in conjunction with snap-in/push-in connectors must be used and a 12" service loop must be left available outside of the fixture housing wiring compartment to allow additional branch circuit wiring to be pulled through the snap-in/push-in connector and extended out through the aperture below ceiling level.

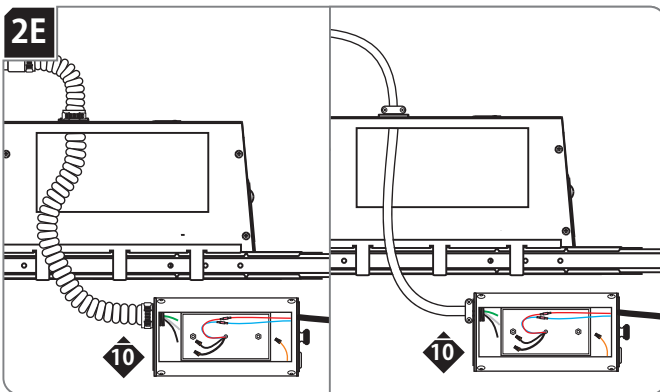


NOTE: When using Romex this step is not necessary, skip ahead to 2D.

- 5 Bring rigid conduit to housing, leaving a few inches of room between the end of the conduit and the housing.
- 6 Connect provided flex conduit between the rigid conduit and the housing, leaving 12" of extra wire extending from the conduit into the housing.
- 7 Feed extra wire through provided flex conduit and secure the flex conduit to the housing using appropriate fittings.

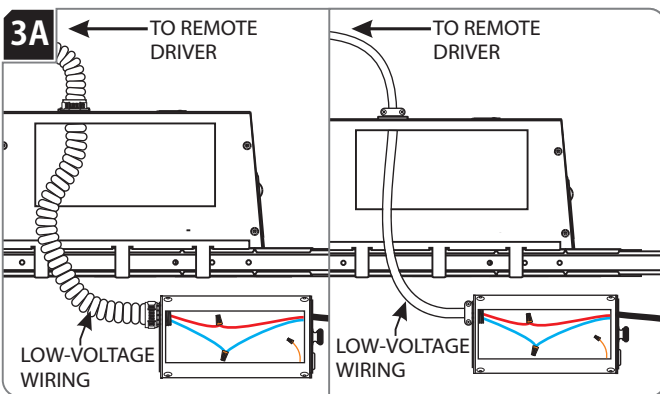


- 8 Open the junction box by loosening the thumb screw.
- 9 Pull up on the cover to remove it.



- 10 Connect flexible conduit or Romex to junction box with the proper fitting.

Connect Power to the Housing (Remote Driver)



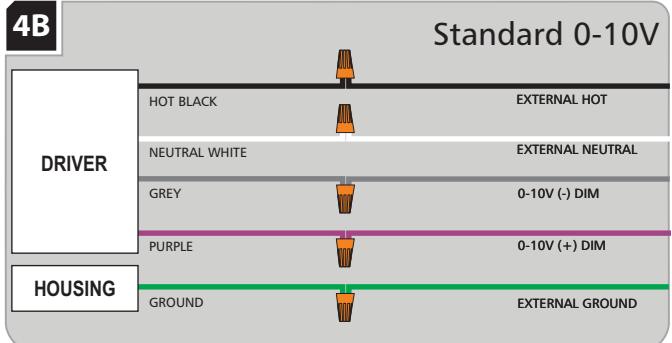
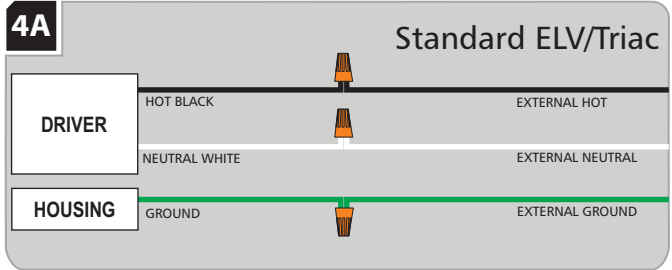
NOTE: For remote driver install only. Follow previous steps with the following exceptions.

- 1 Mount driver in accordance with local codes and driver instructions.
- 2 Run wires in same manner as Romex install shown in steps 4B, 4D and 4E.
- 3 Use the appropriate wiring diagram in step 6 to wire your fixture accordingly.

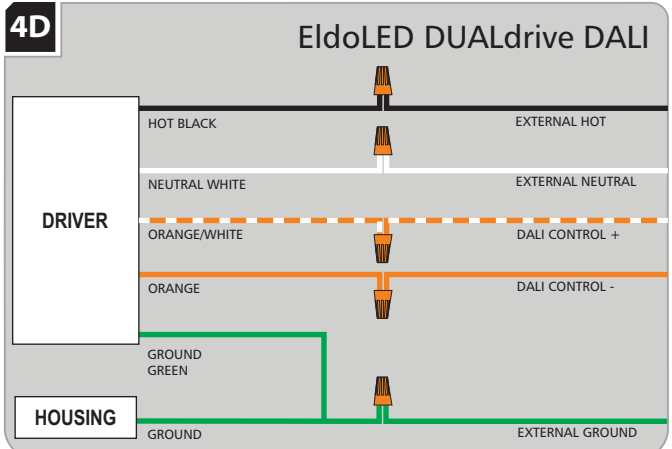
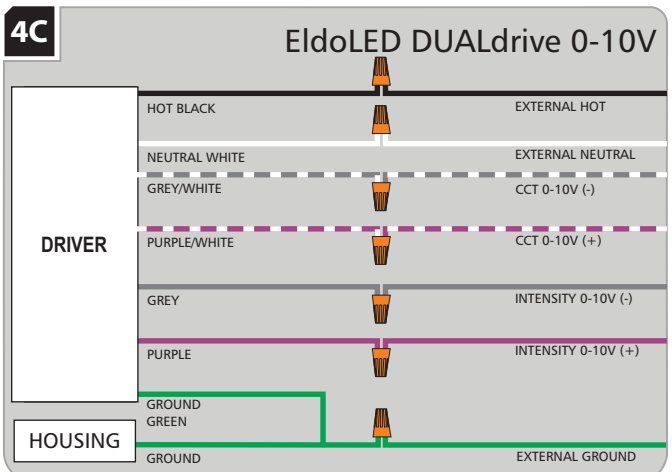
Standard Driver Wiring eldoLED Driver Wiring (Remote Mount Only)

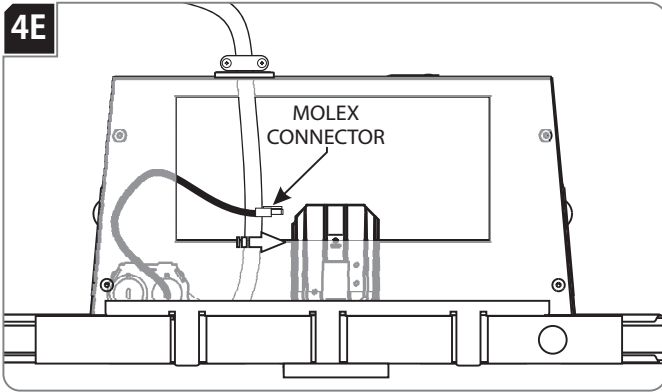
- ELV/Triac - 4A
- 0-10V - 4B
- DUALDRIVE - 4C
- DALI - 4D

Standard Driver Wiring



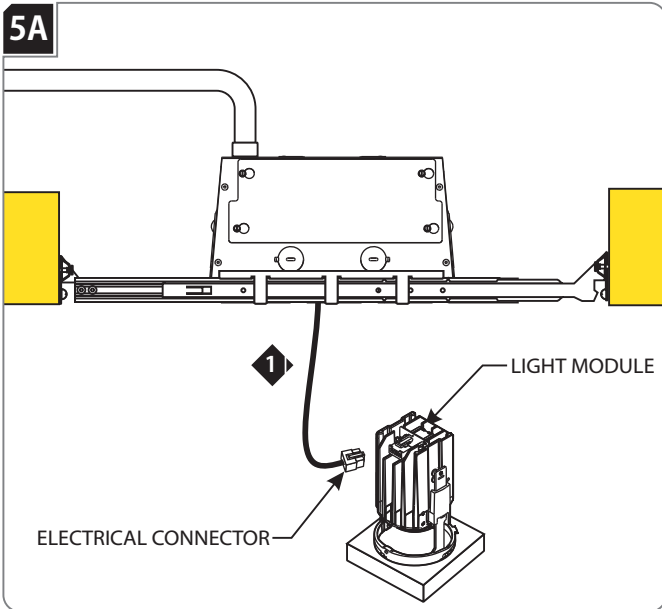
EldoLED Tunable White Wiring (Remote Mount Only)



4E

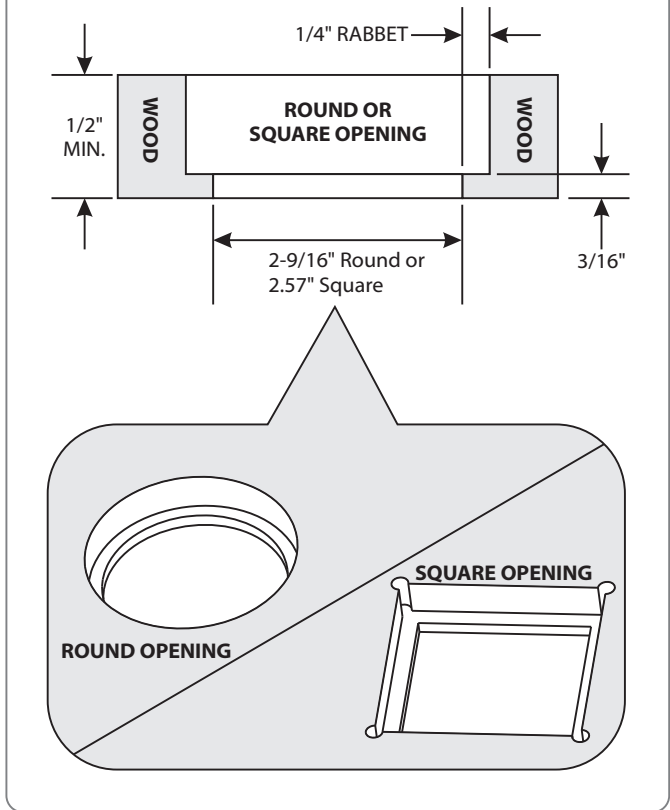
- 1 Use double sided tape provided to secure electrical box inside the housing next to the housing access plate.
- 2 Align the molex connector with the connector on the top of the heat sink on the module.
- 3 Push the Molex connector all the way in to the connector on the module.
- 4 Replace the housing access plate. (Reversal of 4A.)

Install the Light Module

5A

- 1 Pull the wire harness with the Molex connector out of the housing.
- 2 Align the electrical connector with the connector on the top of the light module.
- 3 Push the electrical connector all the way into the connector on the light module.
- 4 Push the entire light module up into the housing to wait for the wood ceiling to be installed.

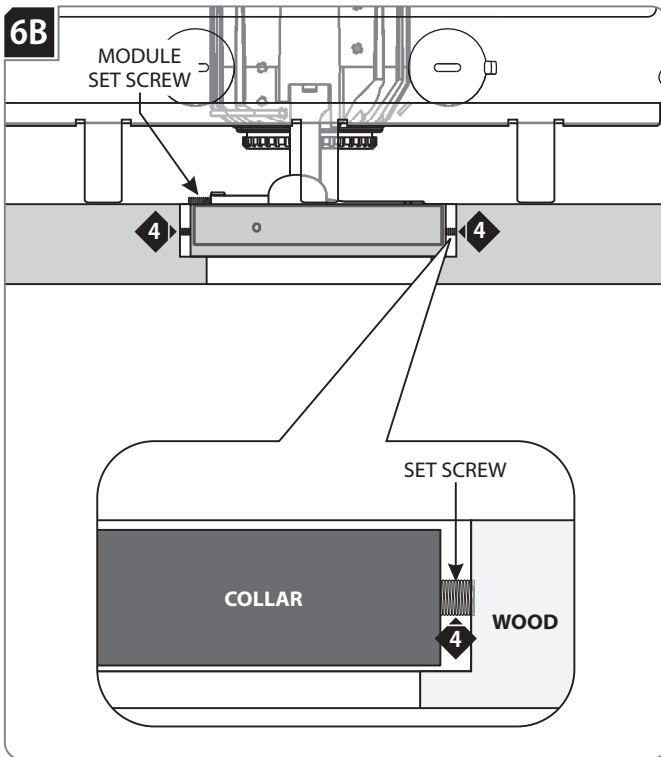
Install the Ceiling

6A

- 1 Use 2-9/16" hole saw or mill a 2.57" square opening in the wood. The wood must be at least 1/2" thick for the trims to hold firmly in place.
- 2 Use a 1/4" rabbet router bit to create a larger opening on the top side of the wood. The rabbet must cut to a depth that leaves 3/16" of wood above the ceiling level.

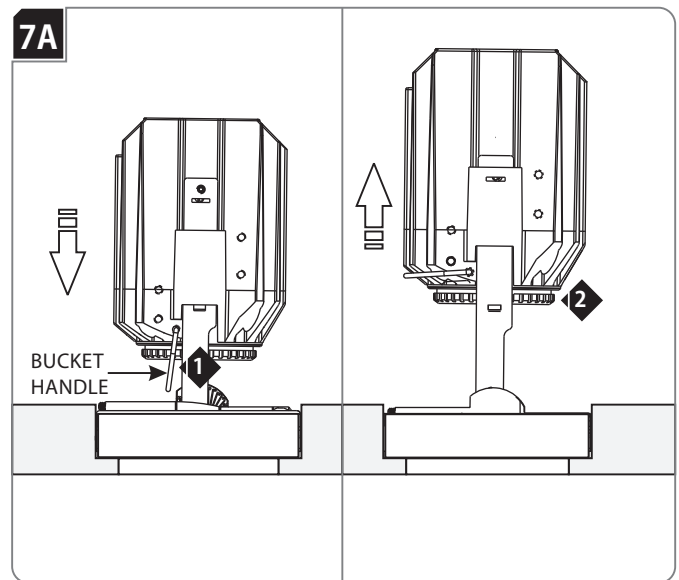
NOTE: The corners of the square opening can be milled out on top.

Adjust the Lamp Position (Optional)

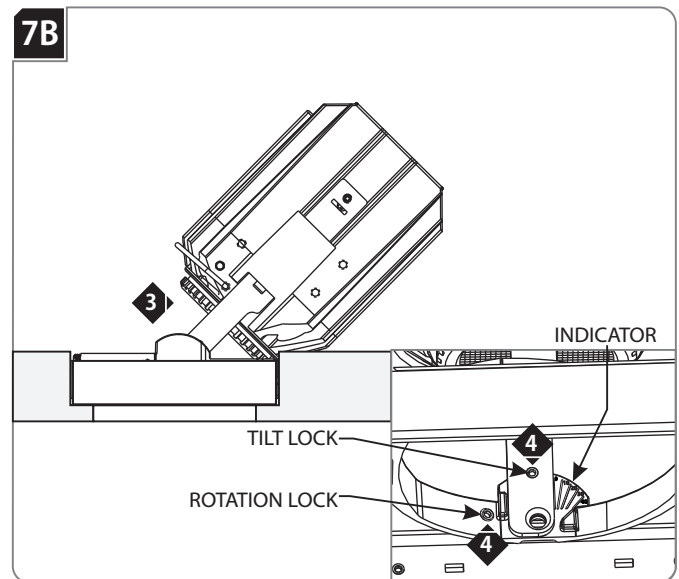


- 3 Pull the light module down into the hole cut into the wood.
- 4 Make sure it is seated level and use the Allen wrench and set screws provided to secure the collar to the ceiling.

NOTE: Round modules have 3 set screws and square modules have 4 set screws.



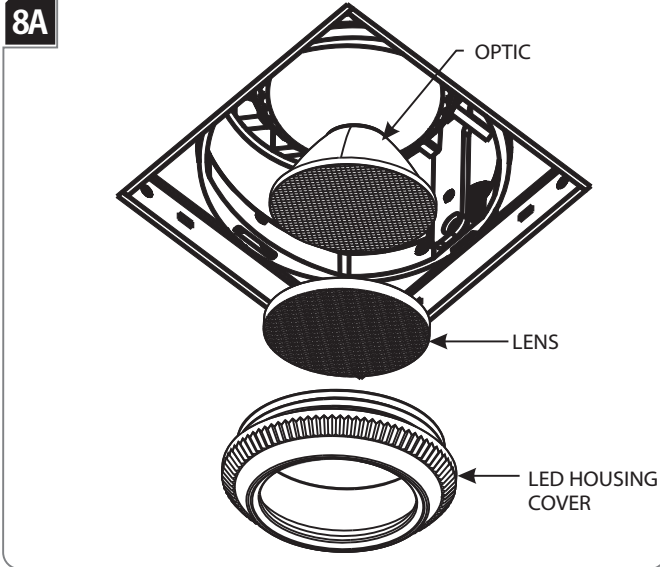
- 1 Pull down on the bucket handle to position the module in the low position.
- 2 Push up the LED and heat sink to position the module in the high position.



NOTE: Module can rotate 361° and tilt to 45°. For proper wall wash positioning, tilt until 15° angle is reached.

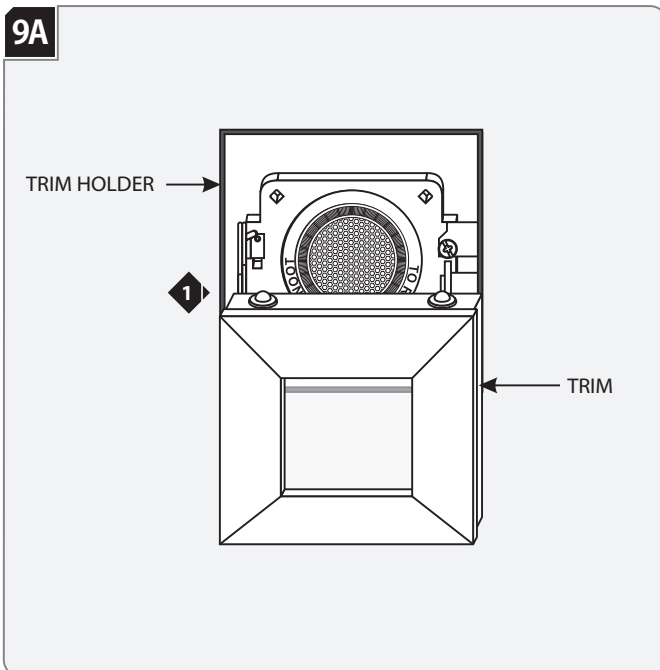
- 3 Use hand to tilt and rotate the module to the desired position. Use the tilt indicator next to the support arm for a precise tilt angle.
- 4 Tighten the tilt and rotation locks with provided Allen key once desired positions have been reached. (Optional)

Optics and Lenses

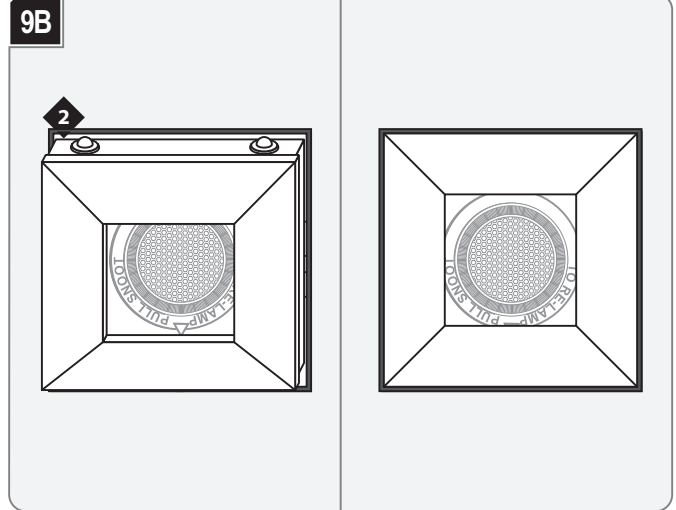


- 1 Unscrew and remove the LED housing cover.
- 2 Remove the optic.
- 3 If installing an optional lens, rest the lens inside the housing cover.
- 4 Install the optic (replacement or existing) inside the LED housing cover.
- 5 Screw the LED housing cover back on.

Install the Trim



- 1 Align the trim with the inner edge of the trim holder.



- 2 Push the trim into the trim holder so that it snaps into place.

NOTE: Your trim may appear differently than the depicted trim. However, the process to install is the same for all standard trims.

Notes

SAVE THESE INSTRUCTIONS!

ELEMENT

by Tech Lighting®

7400 Linder Ave, Skokie, IL 60077

847.410.4400

www.element-lighting.com

© 2020 Tech Lighting, L.L.C. All rights reserved. The "Element" graphic is a registered trademark of Element. Element reserves the right to change specifications for product improvements without notification.

A Generation Brands Company