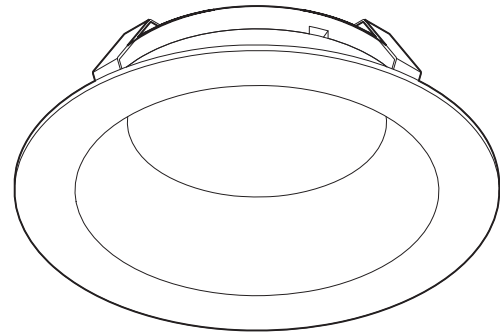


E4 Pro Adjustable Flanged Trims

1.0



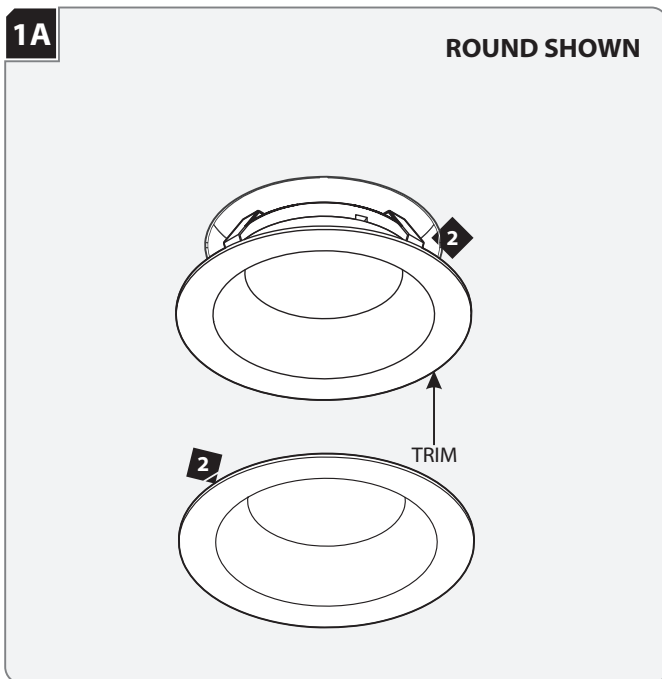
GENERAL PRODUCT INFORMATION:

This product is suitable for indoor locations.

This instruction shows a typical installation.

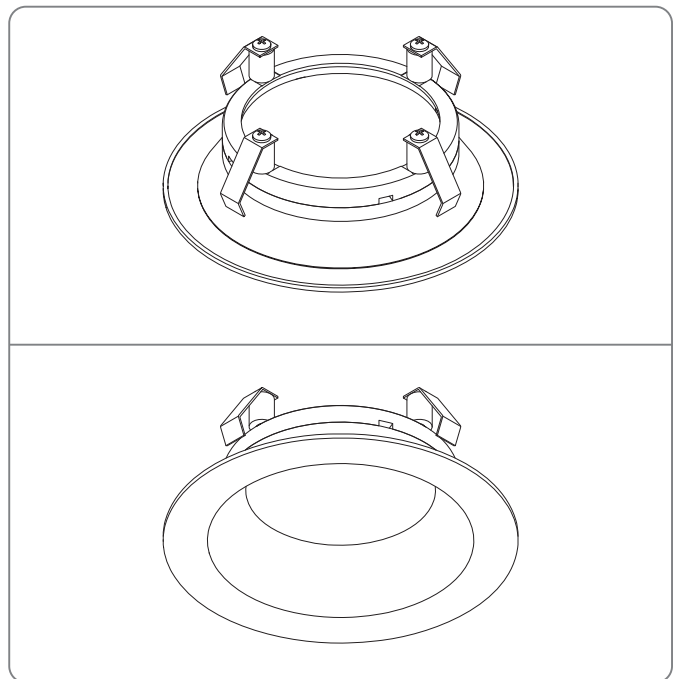


Install the Trim



- 1 Align the trim with the inner edge of the collar.
- 2 Push the trim up until it snaps flush to the ceiling.

Thick Ceiling Module



SAVE THESE INSTRUCTIONS

TECH LIGHTING®
7400 Linder Ave, Skokie, IL 60077
847.410.4400

www.techlighting.com

© 2020 Tech Lighting, L.L.C. All rights reserved.
Visual Comfort & Co.