

# 2" Flush Mount

ECD\_ 1.1



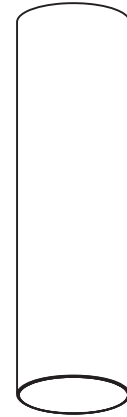
**GENERAL PRODUCT INFORMATION:** 

This product is suitable for damp locations.

This product can be dimmed with a standard electronic dimmer or 0-10V dimmer.

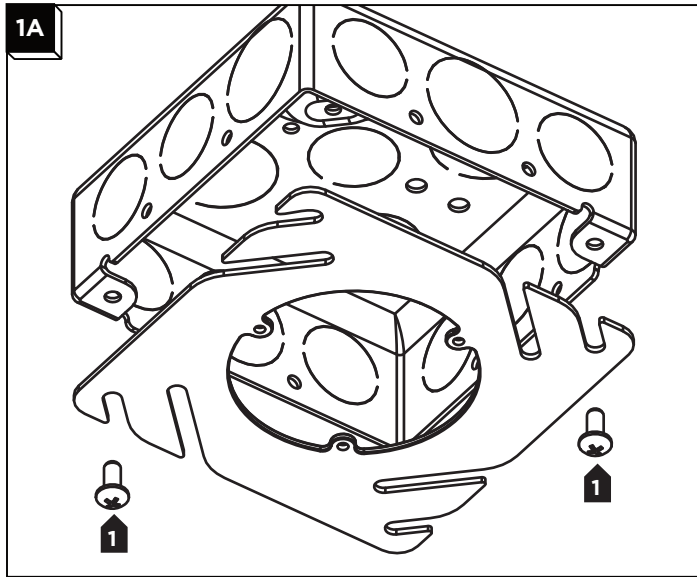
This instruction shows a typical installation.

**SAVE THESE INSTRUCTIONS!**



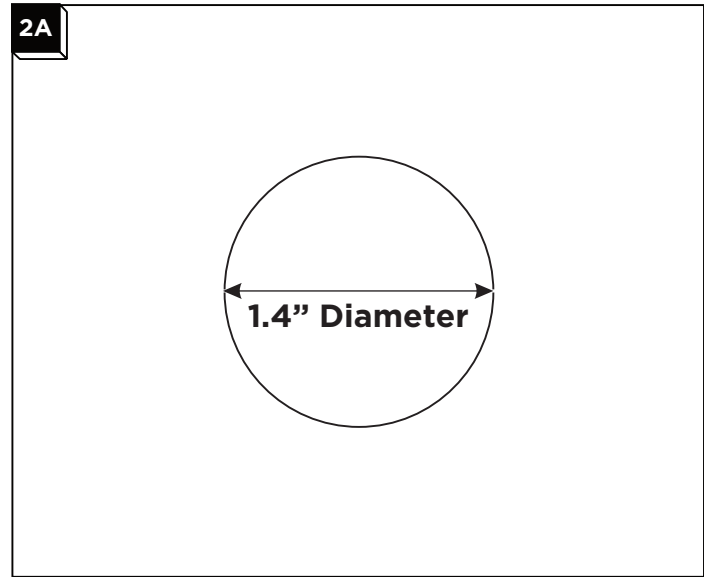
**CAUTION - RISK OF FIRE**  
This product must be installed in accordance with the applicable installation code by a person familiar with the construction and operation of the product and the hazards involved.  
**Use minimum 90°C supply conductors.**

## Prepare the Junction Box



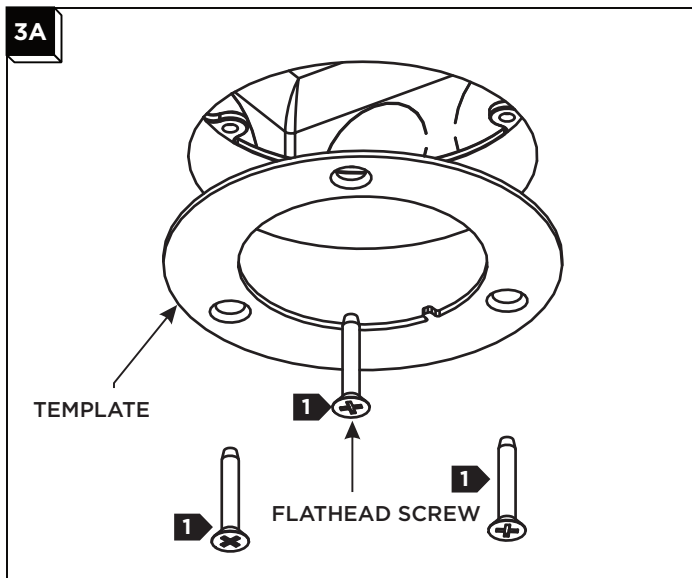
**1** Prior to installing the drywall, attach the support plate to the junction box with the provided screws.

## Install the Drywall



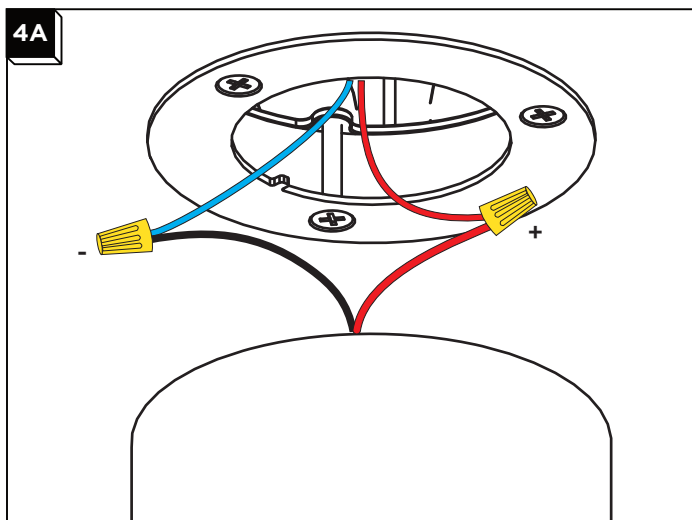
- 1** Install the drywall.
- 2** After installing the drywall, locate the j-box, there should be a slight protrusion in the area where it is located.
- 3** Use the provided circular template and cut a 1.4" diameter hole

## Install the Template



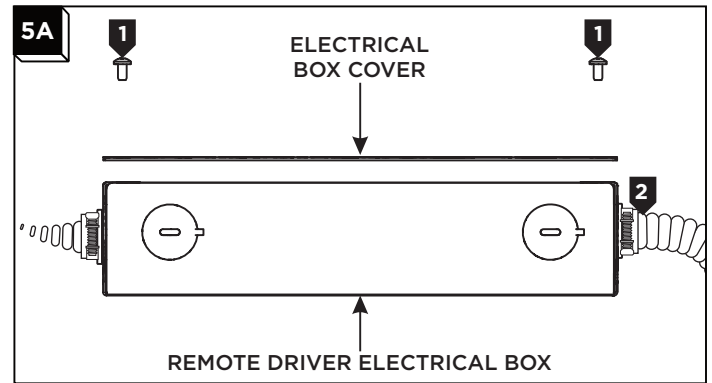
- 1 Use the three flathead screws to secure the template to the previously installed J-box plate.

## Wire the Fixture



- 1 Use the following wiring diagrams to wire your fixture.

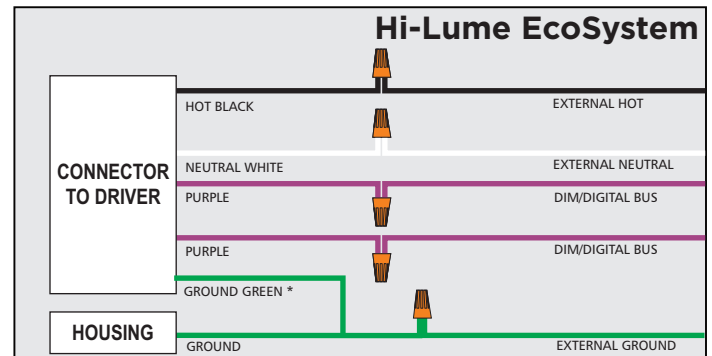
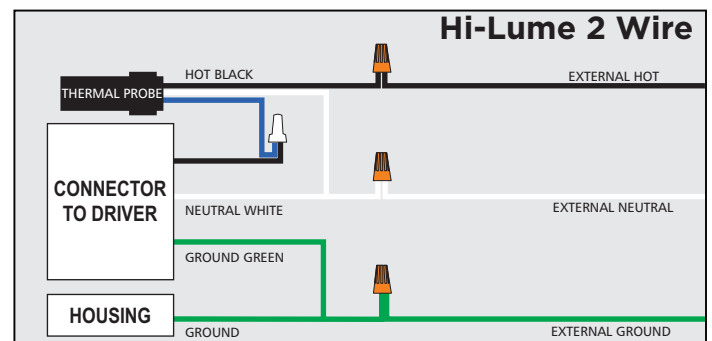
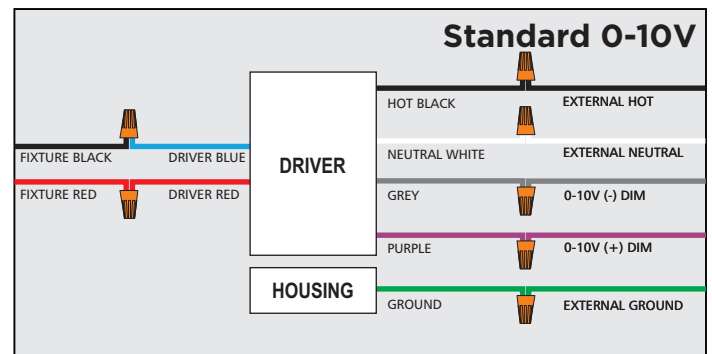
## Connect Power to the Housing (Remote Drivers)



- 1 Open remote driver junction box by removing 2 screws.
- 2 Connect conduit or Romex to junction box with the proper fittings
- 3 Use the wiring diagrams to wire your fixture accordingly.

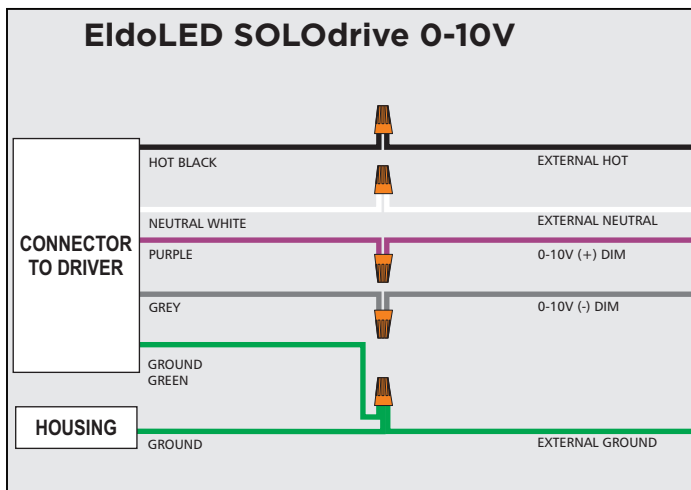
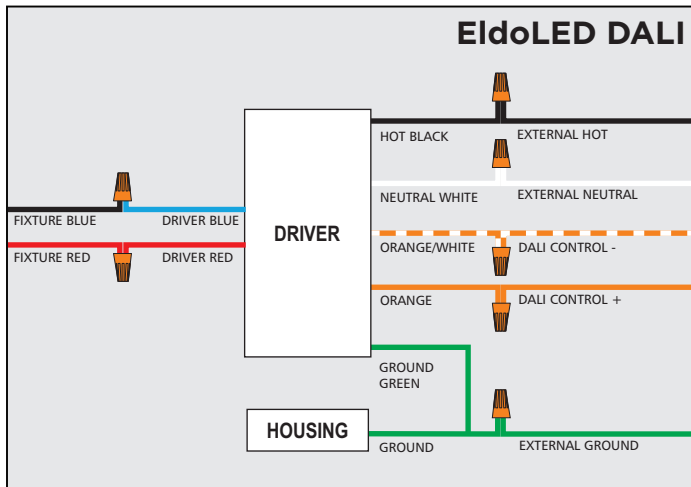
## Wiring Diagrams (Remote Drivers)

**WARNING: Do not connect red and blue wires from fixture to line voltage.**

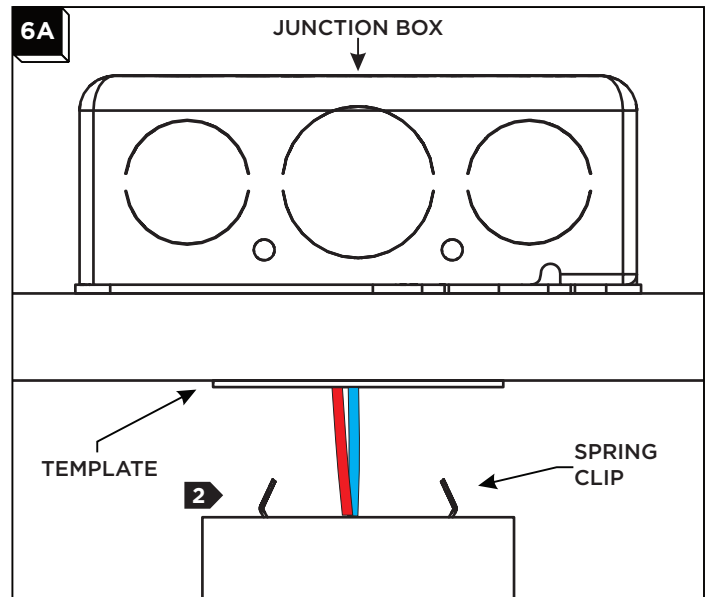


## Wiring Diagrams (Remote Drivers cont.)

**WARNING: Do not connect red and blue wires from fixture to line voltage.**



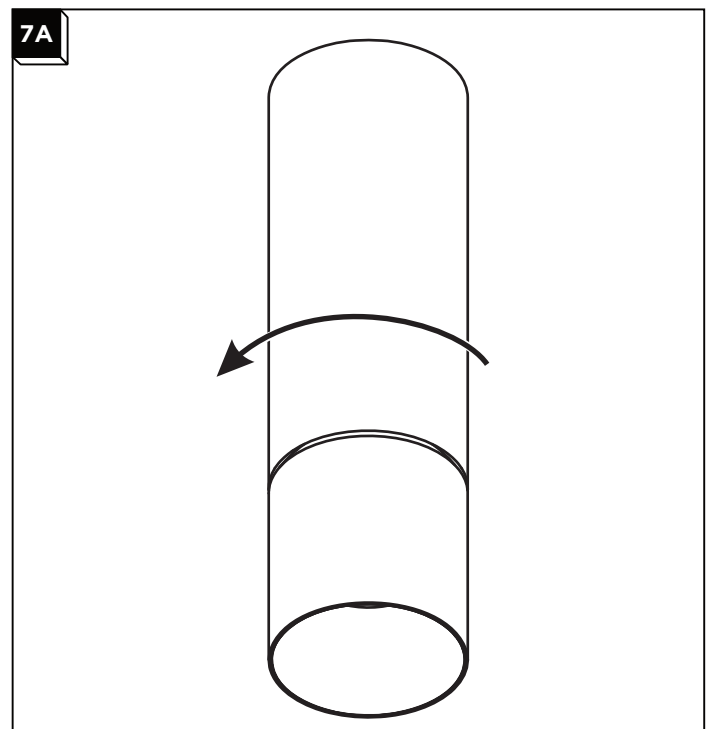
## Install the Fixture



- 1 Neatly place all wires and wire nut connections inside the junction box.
- 2 Align the Cylinder's spring clips with the template hole and push up until the Cylinder sits flush against the ceiling.

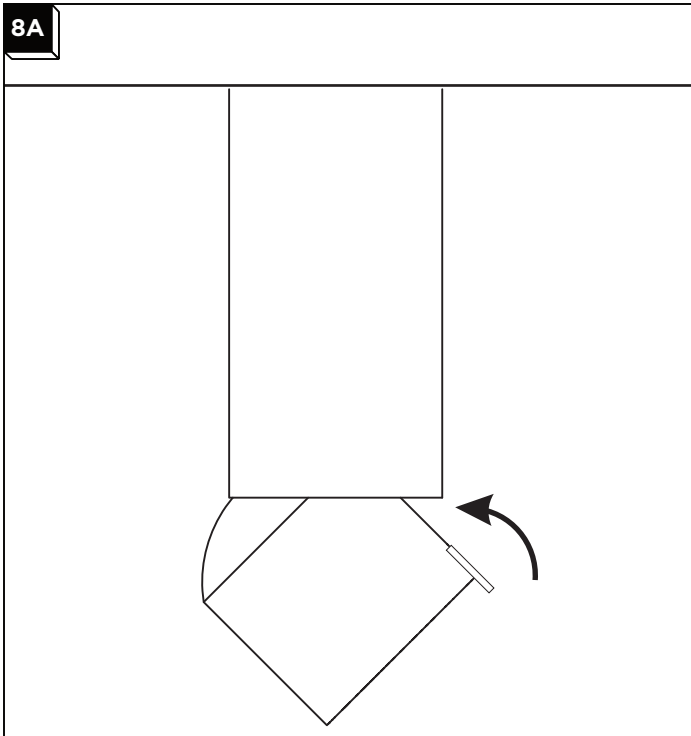
**NOTE: It is recommended to use both hands and push up on the Cylinder firmly.**

## Rotate the Cylinder



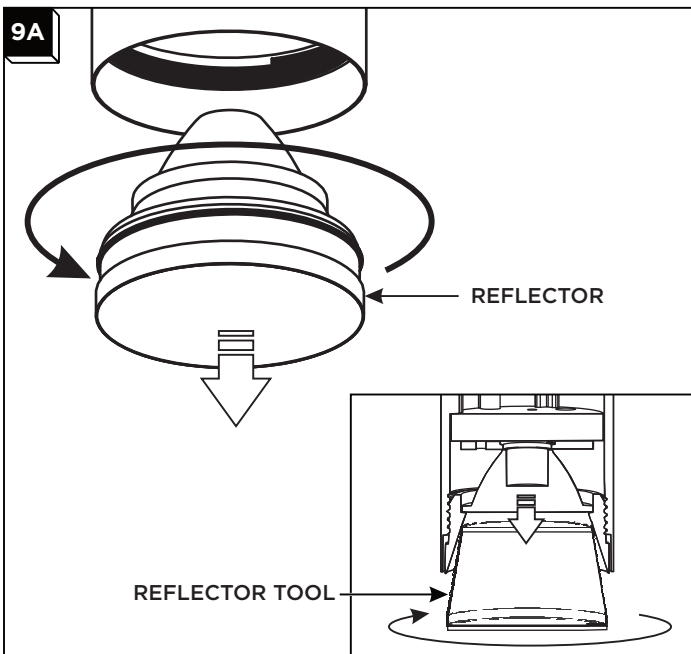
- 1 For the adjustable and wall wash fixture: the cylinder can rotate 358° to assist with aiming at the wall.

## Adjust the Angle (Adjustable only)

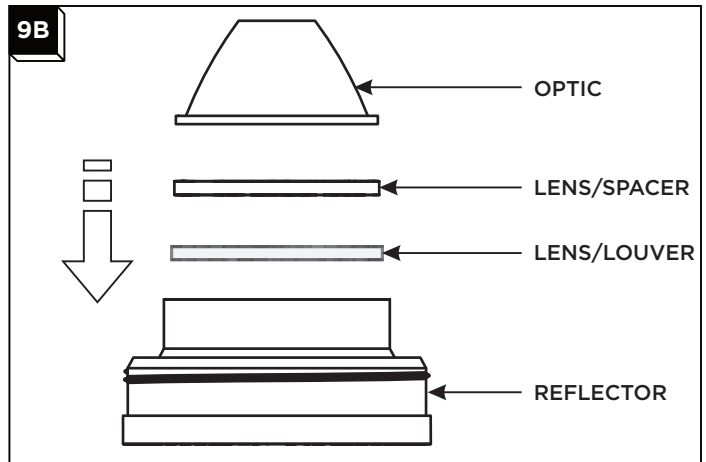


- 1 For the adjustable only: push up or pull down where the label is located to tilt the lower cylinder to the desired angle ( $0^{\circ}$ - $45^{\circ}$ )

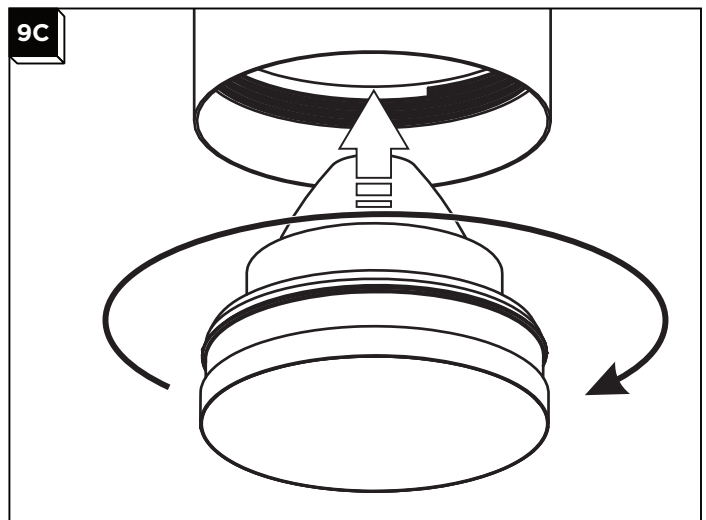
## Install the Reflector Accessory



- 1 Remove the reflector by gripping the interior of the reflector and rotate counter-clockwise. (If purchased, the reflector tool can be used to grip the reflector.)
- 2 Save the optic and discard the reflector.



- 3 In the accessory reflector place the first lens or louver.
- 4 If only using one lens then place the spacer, else place the second lens.
- 5 Then rest the optic on top of the second lens or spacer.



- 6 Install the reflector by inserting it into the bottom of the Cylinder and screw it in as far as it will go.

 **TECH LIGHTING**

7400 Linder Ave., Skokie, IL 60077  
T 847.410.4400 | F 847.410.4500  
[www.techlighting.com](http://www.techlighting.com)