

2" Conduit Mount

ECD_ 1.2



GENERAL PRODUCT INFORMATION:

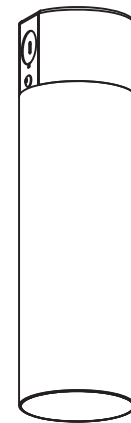


This product is suitable for damp locations.

This product can be dimmed with a standard electronic dimmer or 0-10V dimmer.

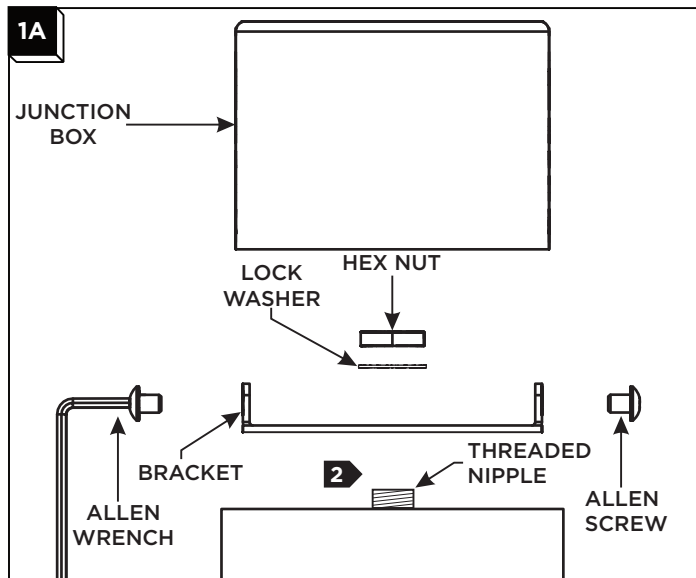
This instruction shows a typical installation.

SAVE THESE INSTRUCTIONS!



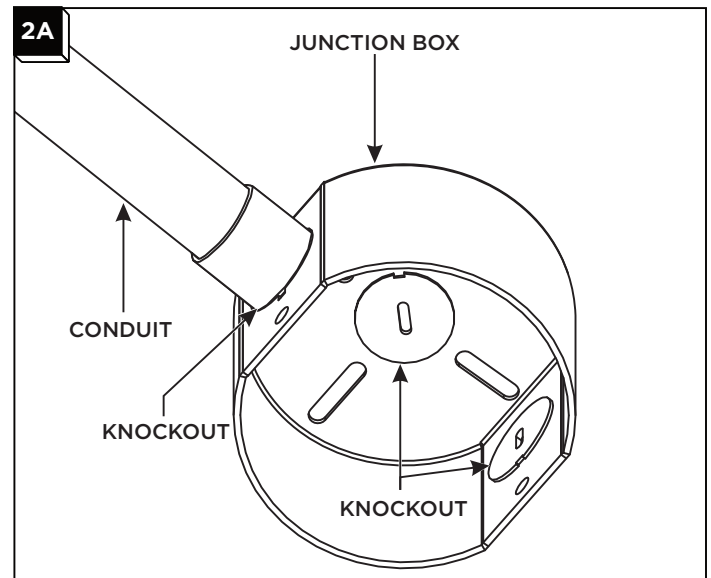
CAUTION - RISK OF FIRE
This product must be installed in accordance with the applicable installation code by a person familiar with the construction and operation of the product and the hazards involved.
Use minimum 90°C supply conductors.

Prepare the fixture



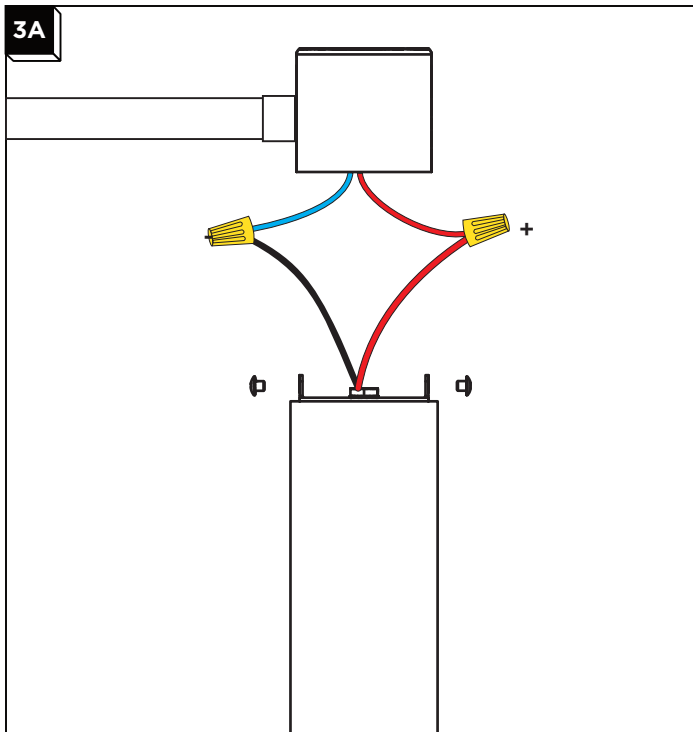
- 1** Separate the junction box from the bracket, use the provided Allen wrench to remove the two Allen screws securing the bracket to the junction box. Save the screws for reassembly later.
- 2** Install the bracket to the fixture by sliding it onto the threaded nipple. Then place the ring terminal and lock washer on to the nipple. Secure the bracket and lock washer in place with the provided hex nut.

Install the Junction Box



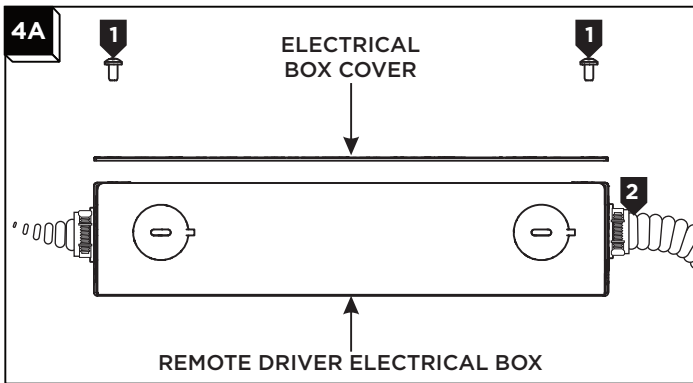
- 1** Secure the custom junction box to conduit using one of the three knockouts.

Wire the Fixture



- 1 Use the following wiring diagrams to wire your fixture.

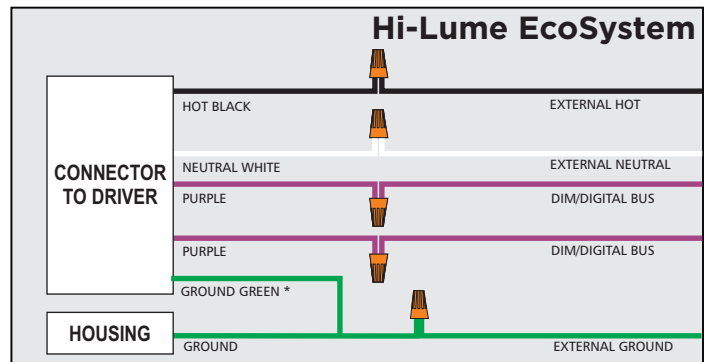
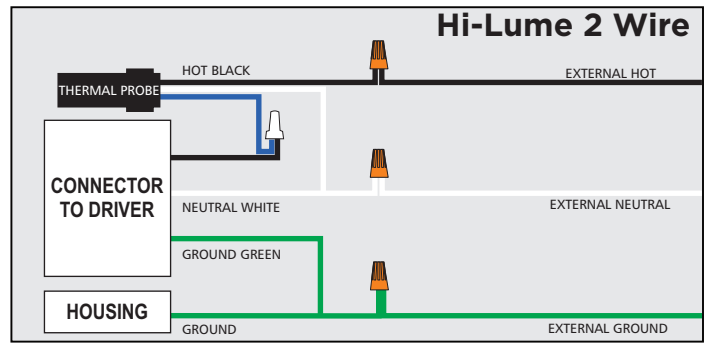
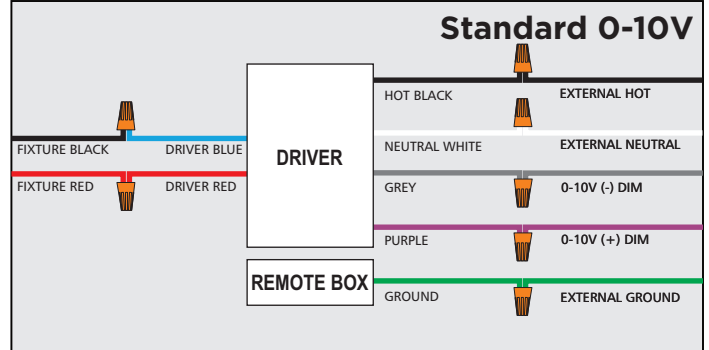
Connect Power to the Housing (Remote Drivers)



- 1 Open remote driver junction box by removing 2 screws.
- 2 Connect conduit or Romex to junction box with the proper fittings
- 3 Use the wiring diagrams to wire your fixture accordingly.

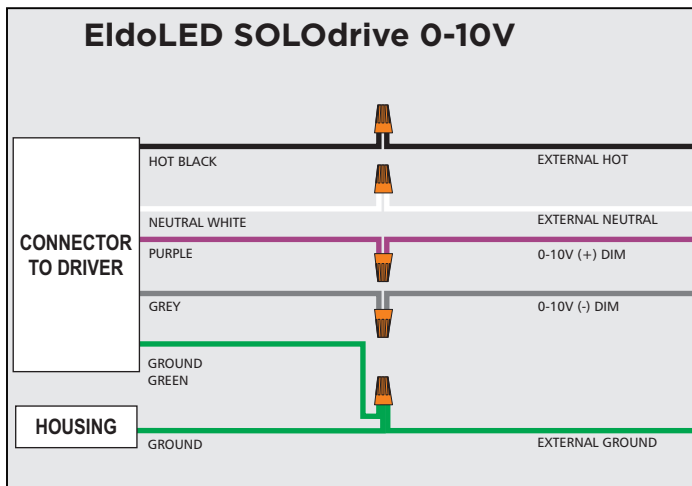
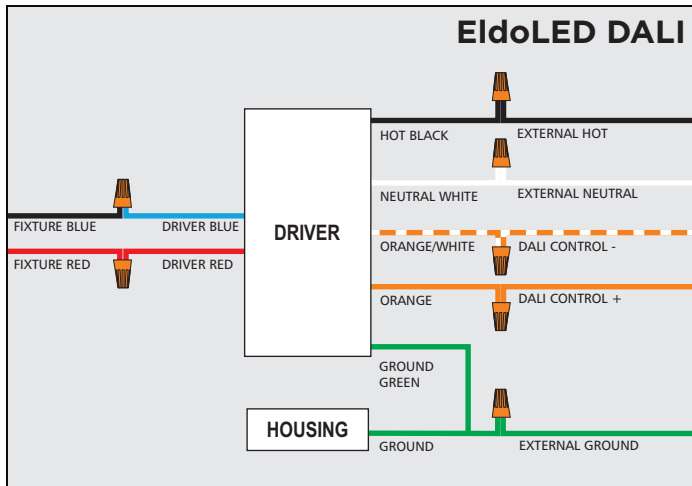
Wiring Diagrams (Remote Drivers)

WARNING: Do not connect red and blue wires from fixture to line voltage.

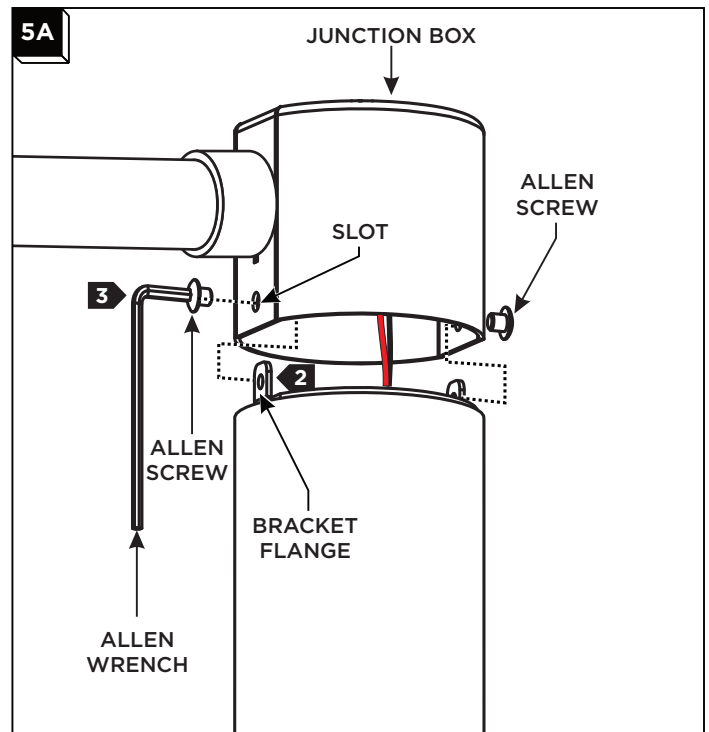


Wiring Diagrams (Remote Drivers cont.)

WARNING: Do not connect red and blue wires from fixture to line voltage.

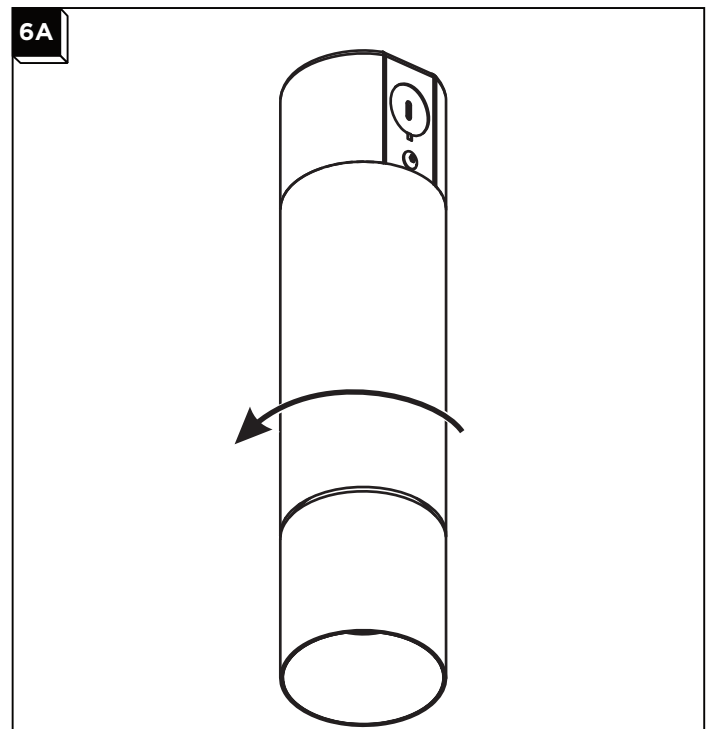


Install the Fixture



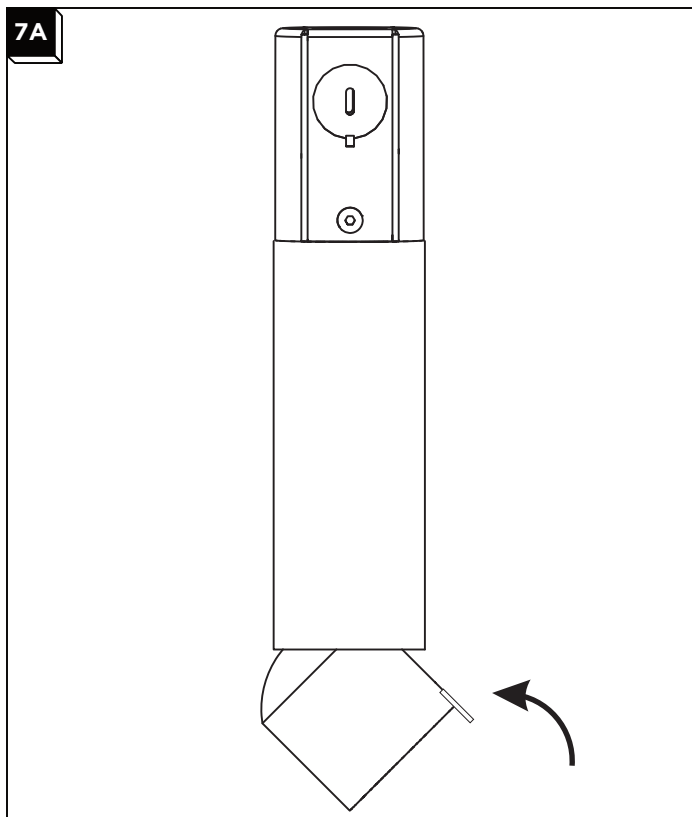
- 1** Neatly place all wires and wire nut connections inside the junction box.
- 2** Align the Cylinder so that the slots in the bracket flanges line up with the slot in the junction box, then ensure the fixture sits flush with the junction box.
- 3** Use the Allen wrench and Allen screws, removed in step 1A-1, to secure the fixture in place.

Rotate the Cylinder



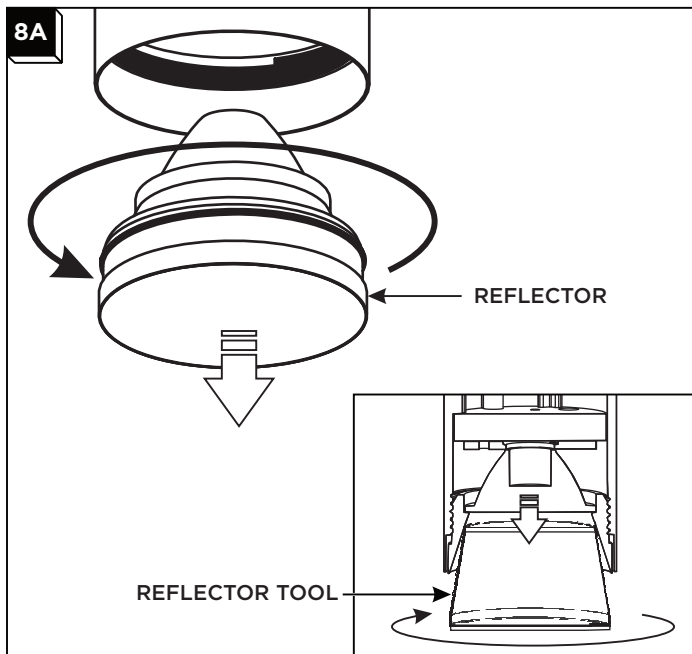
- 1** For the adjustable and wall wash fixtures: the cylinder can rotate 358° to assist with aiming at the wall.

Adjust the Angle (Adjustable only)

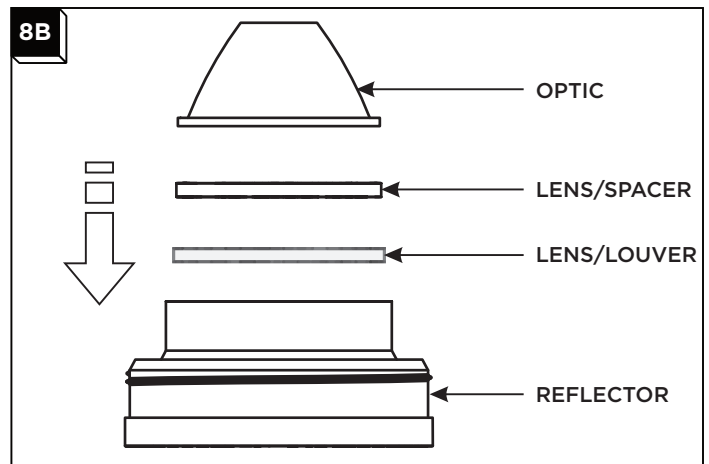


- 1 For the adjustable only: push up or pull down where the label is located to tilt the lower cylinder to the desired angle (0°-45°)

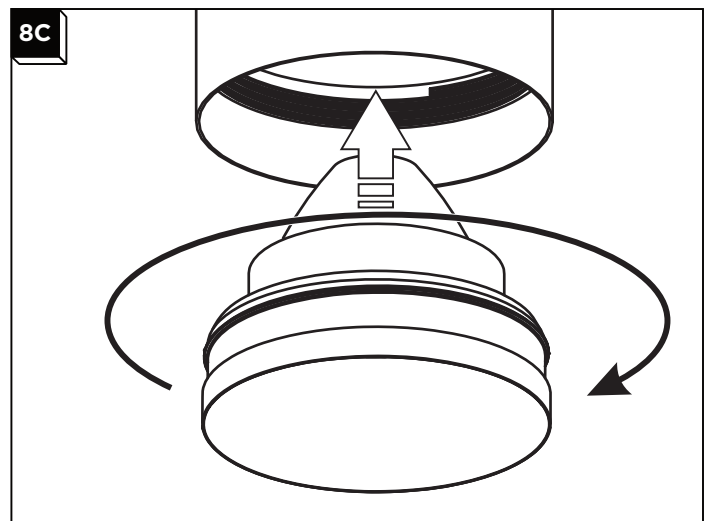
Install the Reflector Accessory



- 1 Remove the reflector by gripping the interior of the reflector and rotate counter-clockwise. (If purchased, the reflector tool can be used to grip the reflector.)
- 2 Save the optic and discard the reflector.



- 3 In the accessory reflector place the first lens or louver.
- 4 If only using one lens then place the spacer, else place the second lens.
- 5 Then rest the optic on top of the second lens or spacer.



- 6 Install the reflector by inserting it into the bottom of the Cylinder and screw it in as far as it will go.

 **TECH LIGHTING**

7400 Linder Ave., Skokie, IL 60077
T 847.410.4400 | F 847.410.4500
www.techlighting.com