

Flush Mount

ECD_ 1.2



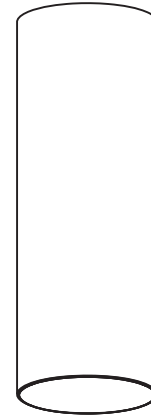
GENERAL PRODUCT INFORMATION: 

This product is suitable for damp locations.

This product can be dimmed with a standard electronic dimmer or 0-10V dimmer.

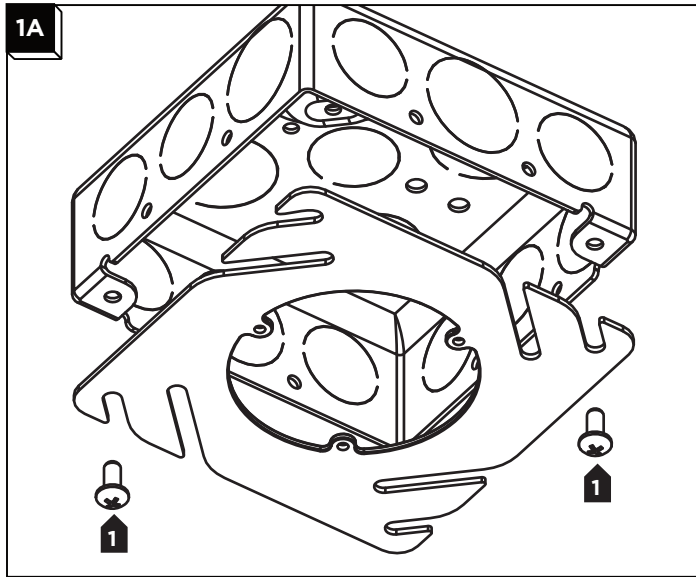
This instruction shows a typical installation.

SAVE THESE INSTRUCTIONS!



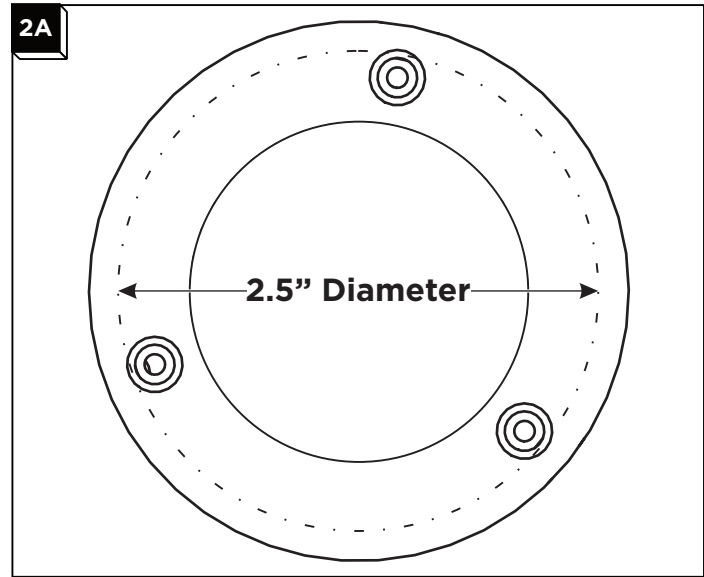
CAUTION - RISK OF FIRE
This product must be installed in accordance with the applicable installation code by a person familiar with the construction and operation of the product and the hazards involved.
Use minimum 90°C supply conductors.

Prepare the Junction Box



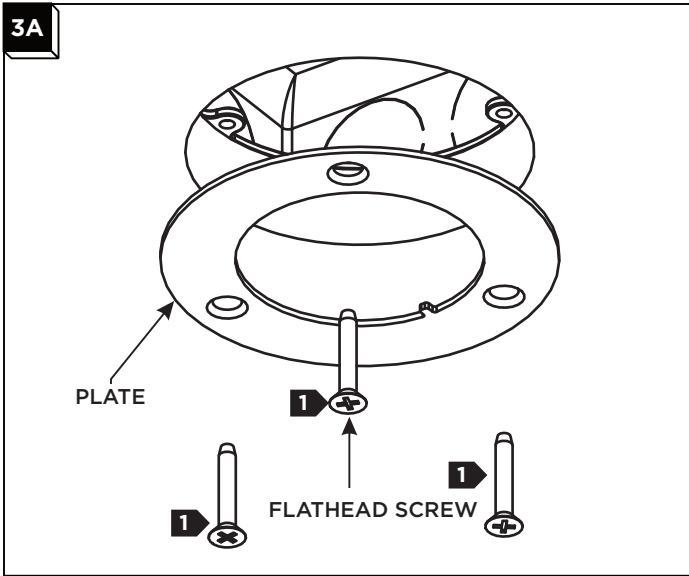
1 Prior to installing the drywall, attach the support plate to the junction box with the provided screws.

Install the Drywall



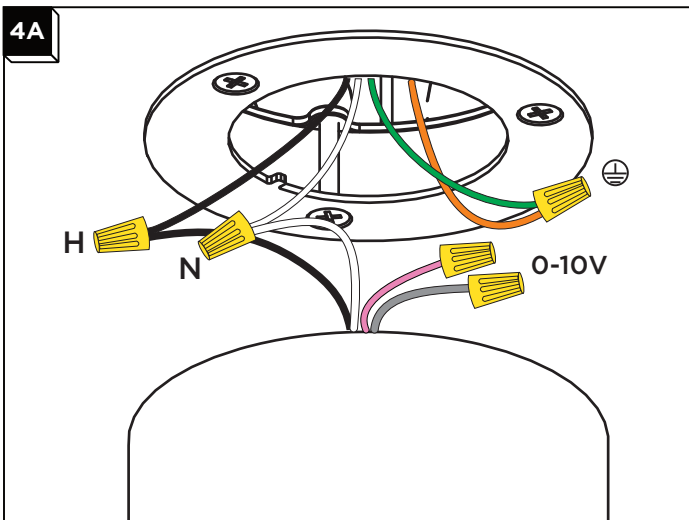
- 1** Install the drywall.
- 2** After installing the drywall, locate the j-box, there should be a slight protrusion in the area where it is located.
- 3** Use the provided paper template and cut a 2.5" diameter hole. (Provided on the last page of this document.)

Install the Template



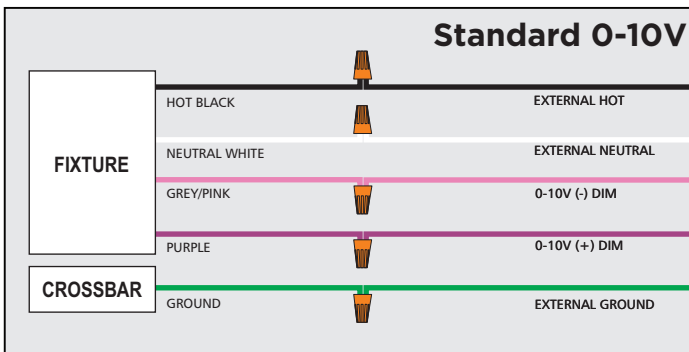
- 1 Use the three flathead screws to secure the plate to the previously installed J-box plate.

Wire the Fixture

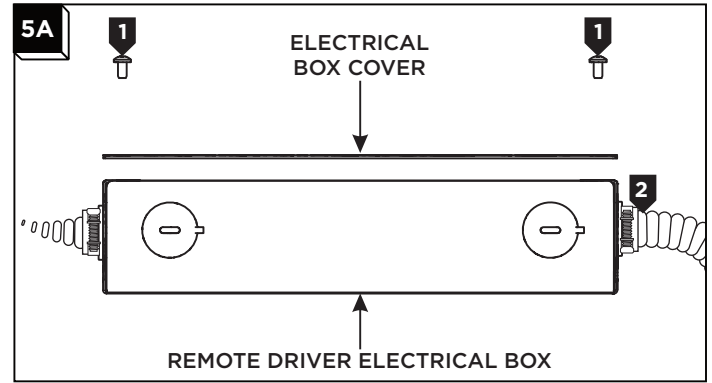


- 1 Use the following wiring diagram to wire your fixture.
- 2 Make sure to cap 0-10V dimming wires if not being used.

Wiring Diagrams (Internal Drivers)



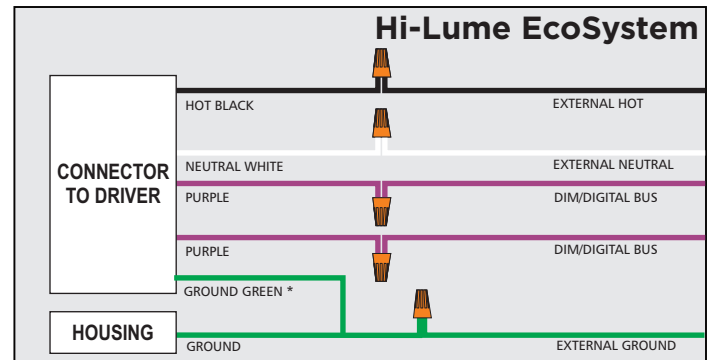
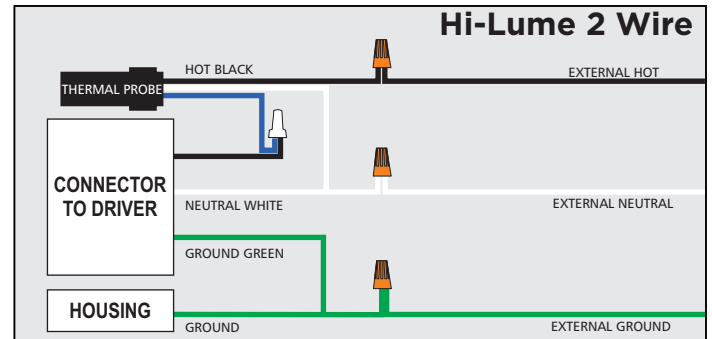
Connect Power to the Housing (Remote Drivers)



- 1 Open remote driver junction box by removing 2 screws.
- 2 Connect conduit or Romex to junction box with the proper fittings
- 3 Use the wiring diagrams to wire your fixture accordingly.

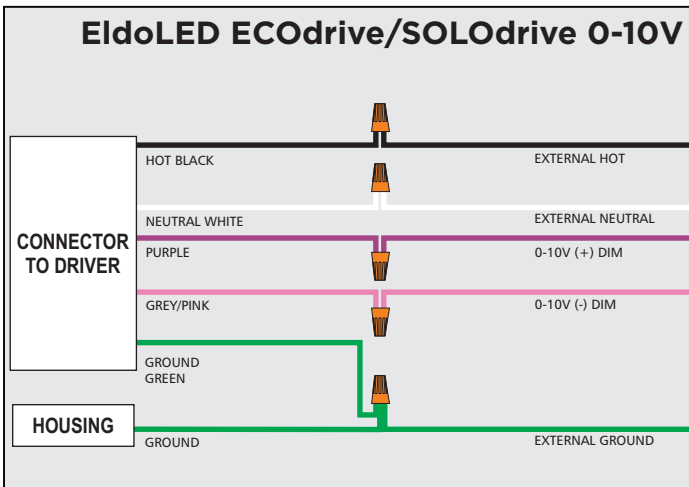
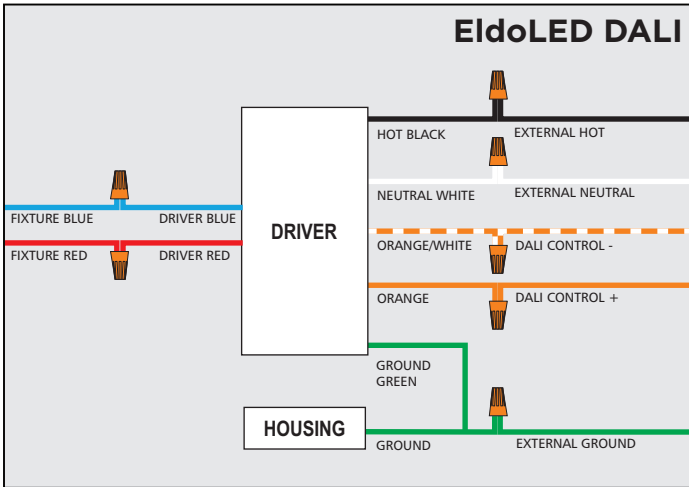
Wiring Diagrams (Remote Drivers)

WARNING: Do not connect red and blue wires from fixture to line voltage.

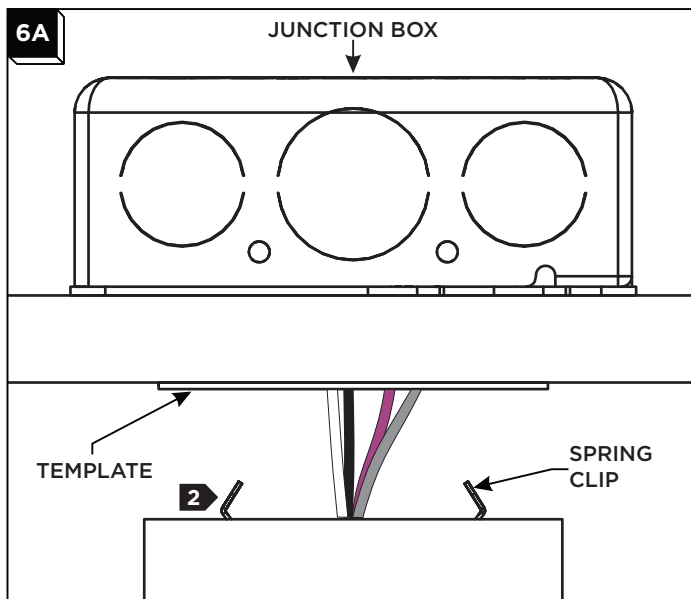


Wiring Diagrams (Remote Drivers cont.)

WARNING: Do not connect red and blue wires from fixture to line voltage.



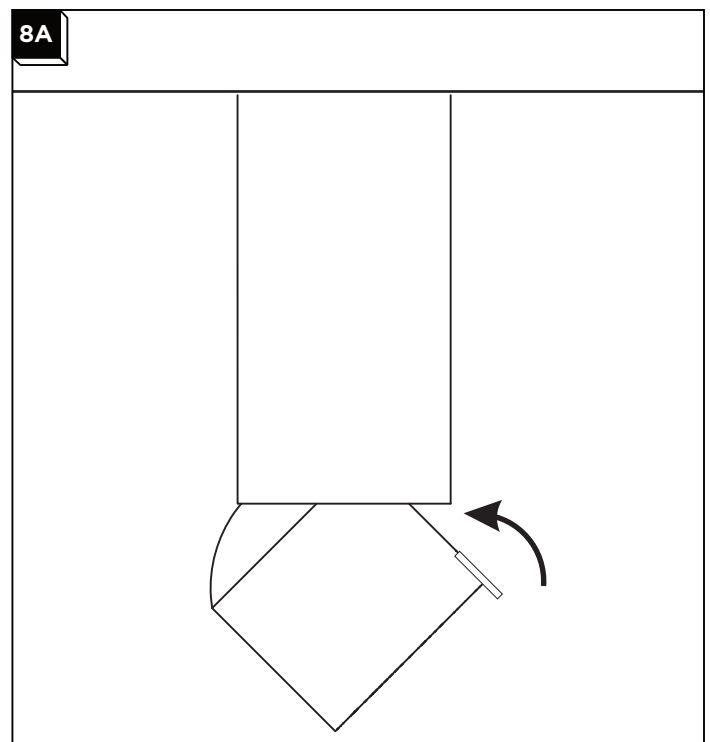
Install the Fixture



- 1 Neatly place all wires and wire nut connections inside the junction box.
- 2 Align the Cylinder's spring clips with the template hole and push up until the Cylinder sits flush against the ceiling.

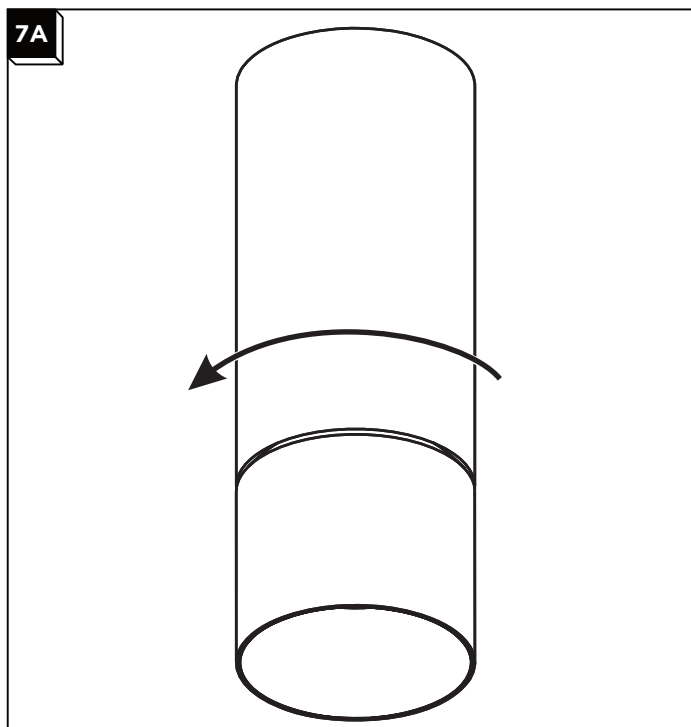
NOTE: It is recommended to use both hands and push up on the Cylinder firmly.

Adjust the Angle (Adjustable only)



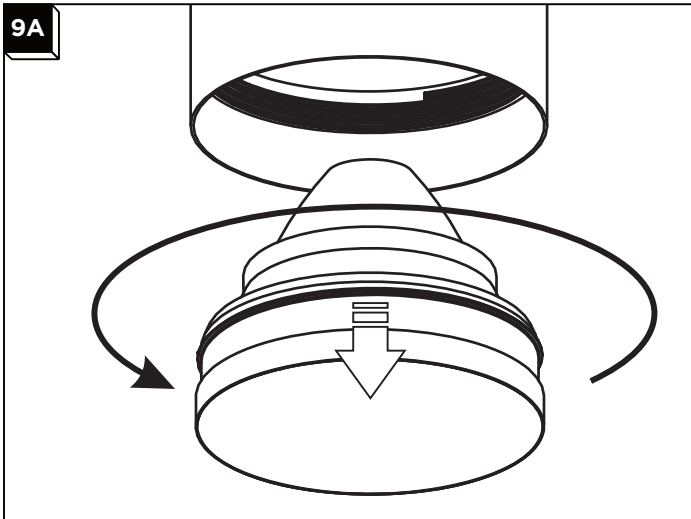
- 1 For the adjustable only: push up or pull down where the label is located to tilt the lower cylinder to the desired angle (0° - 45°)

Rotate the Cylinder



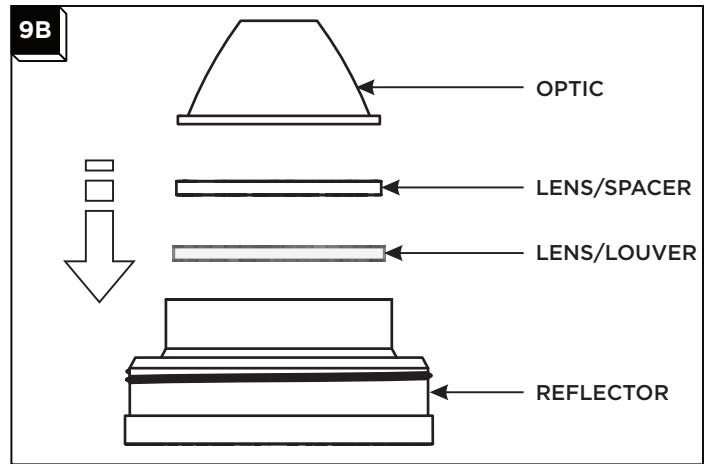
- 1 For the adjustable and wall wash fixture: the cylinder can rotate 358° to assist with aiming at the wall.

Install the Reflector Accessory



1 Remove the reflector by gripping the interior of the reflector and rotate counter-clockwise.

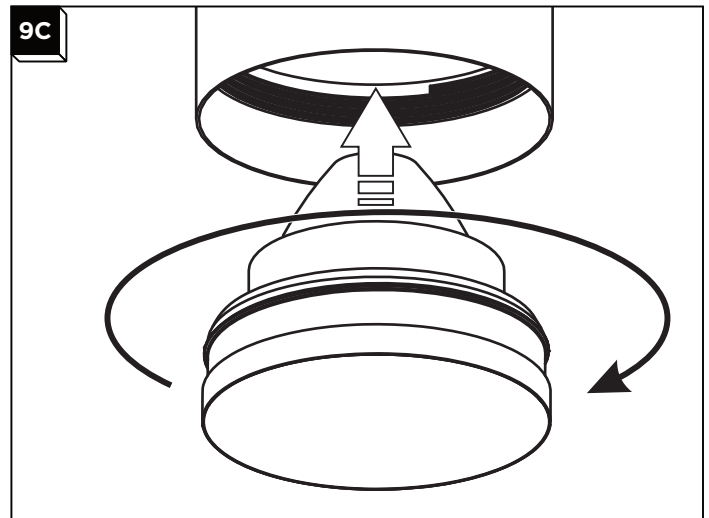
2 Save the optic and discard the reflector.



3 In the accessory reflector place the first lens or louver.

4 If only using one lens then place the spacer, else place the second lens.

5 Then rest the optic on top of the second lens or spacer.

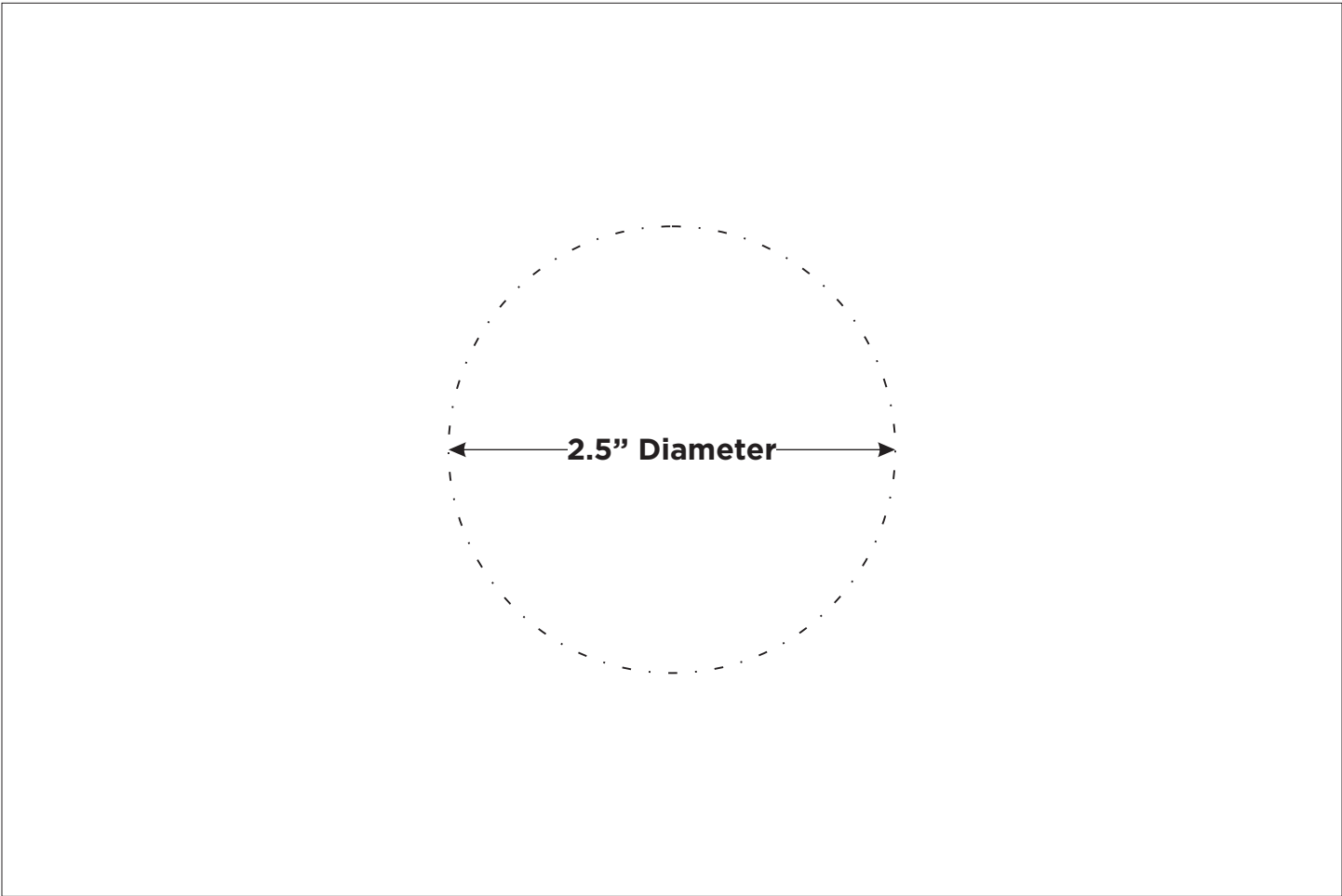


6 Install the reflector by inserting it into the bottom of the Cylinder and screw it in as far as it will go.

Notes:

Notes:

Template



 **TECH LIGHTING**

7400 Linder Ave., Skokie, IL 60077

T 847.410.4400 | F 847.410.4500

www.techlighting.com