

Reflections Housing

EDIH_ 1.4

ELEMENT
a brand of TECH LIGHTING™
LED

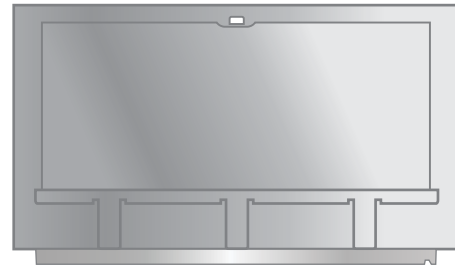
GENERAL PRODUCT INFORMATION:



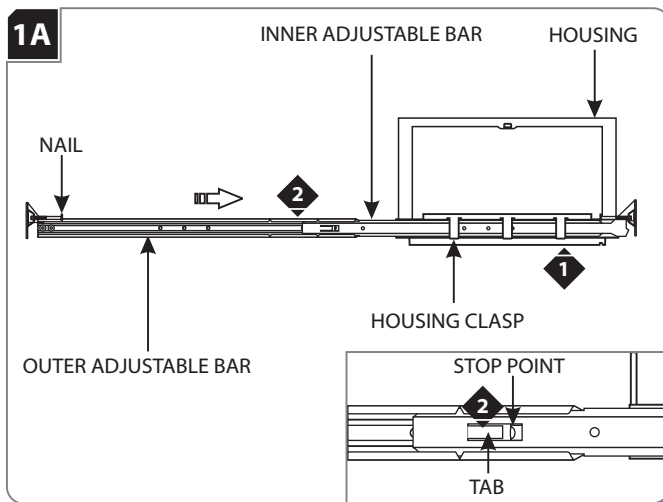
This product is suitable for indoor locations.

This product can be dimmed with a standard electronic dimmer and/or 0-10V dimmer.

This instruction shows a typical installation.

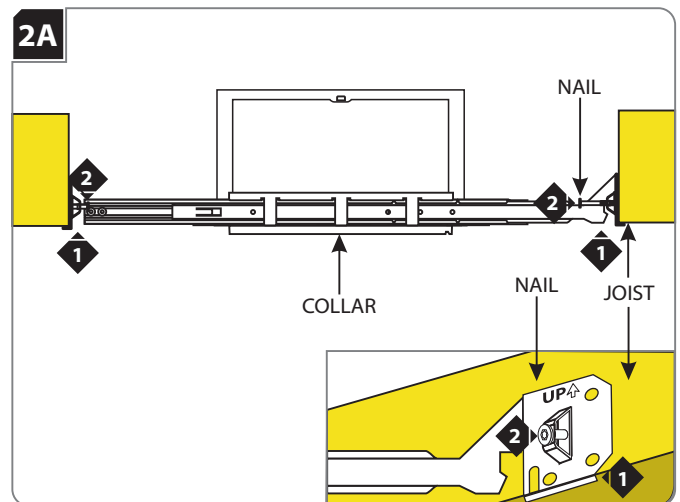


Prepare for Installation



- 1 Slide the inner adjustable bar completely through the three housing clasps. **Make sure the "UP" marking is pointing upward.**
- 2 Slide and push the outer adjustable bar completely onto the inner adjustable bar so that the tab clicks into place behind the stop point. This will prevent the adjustable bars from coming apart.
- 3 Repeat steps 2 & 3 for the other side of the housing.
 - For ceiling mount, go to Step 2A
 - For wall mount, skip to Step 3A.

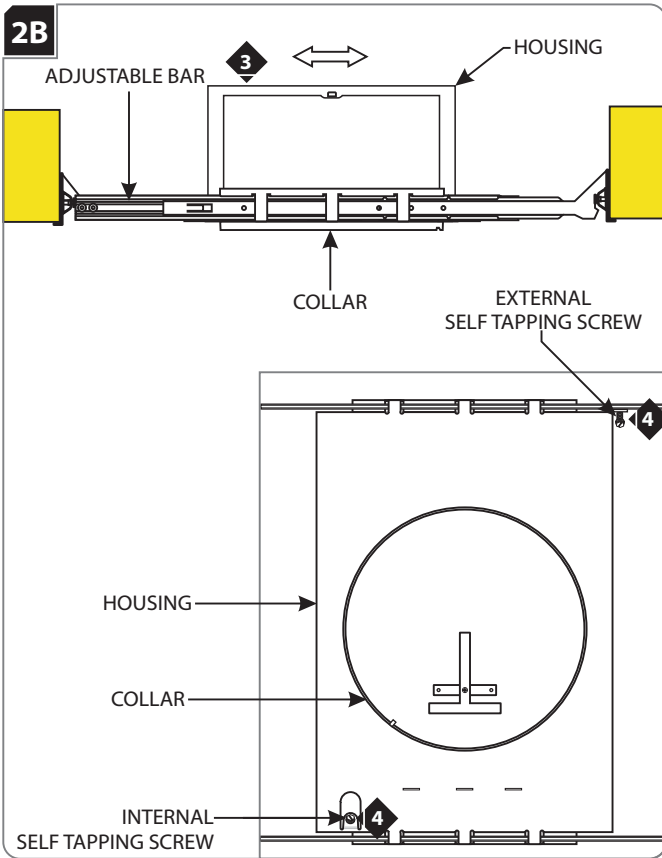
Install the Housing (Ceiling Mount Only)



NOTE: The adjustable bars can be mounted to joists that are spaced 16" - 24" apart.

NOTE: This product can be ceiling or wall mounted using a minimum of 2x6 joists/studs.

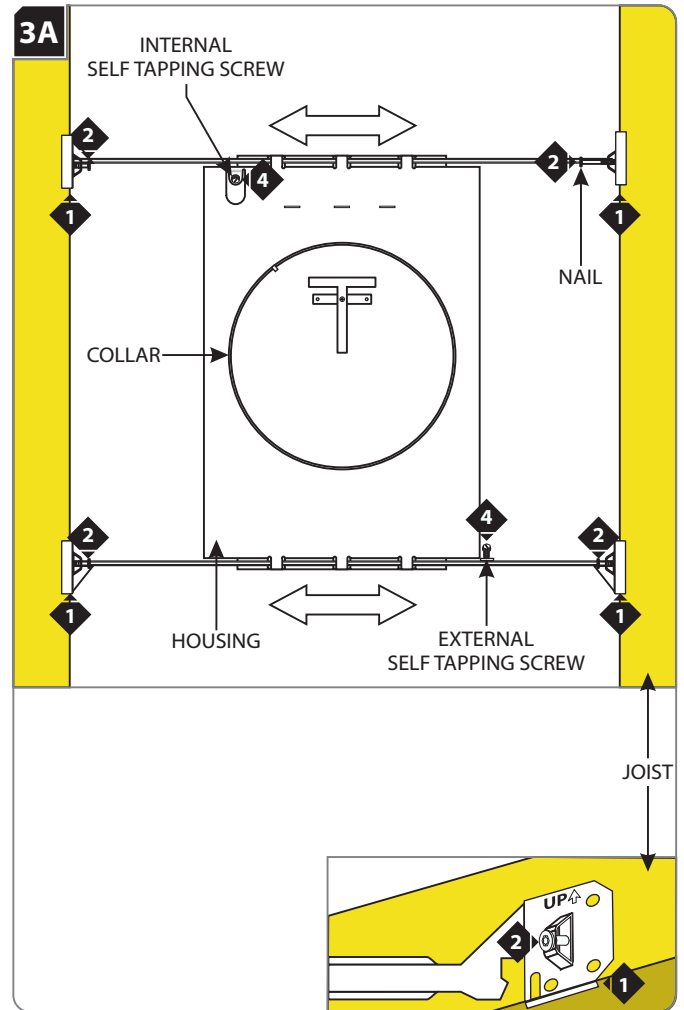
- 1 Align the bottom of the end plates with the bottom of the ceiling joists.
- 2 Level the adjustable bars and, with a hammer, tap the nails completely into the joists to secure the adjustable bars.



- ◆ 3 Adjust the collar's position (horizontal position) by sliding the housing on adjustable bars.
- ◆ 4 When the desired location is achieved, tighten the two self tapping screws to lock the housing onto the adjustable bars. **Note:** 8" and 12" housings have one internal and one external self tapping screw. 5" housings have two external self tapping screws. **Skip to step 4A.**

NOTE: Notches in collar can be used to align multiple housings using a laser or string.

Install the Housing (Wall Mount Only)

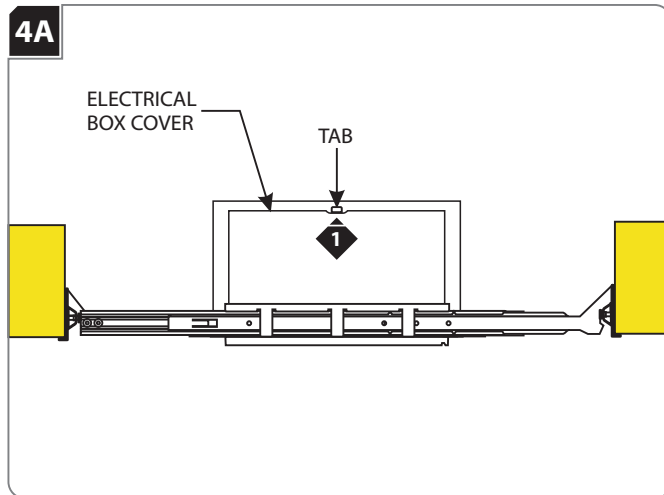


NOTE: The adjustable bars can be mounted to joists that are spaced 16" - 24" apart.

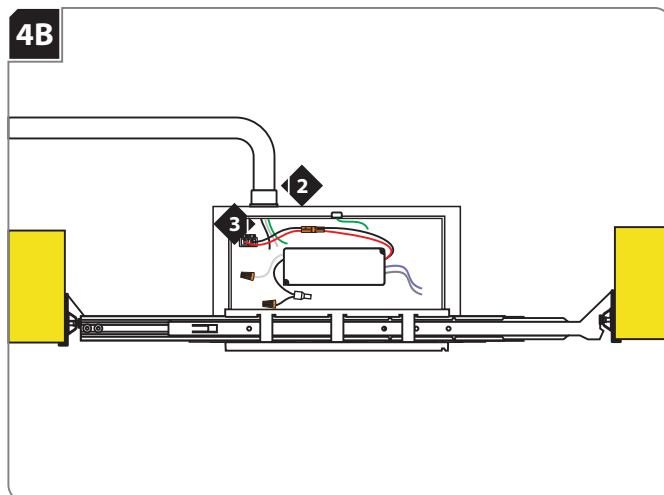
NOTE: This product can be ceiling or wall mounted using a minimum of 2x6 joints/studs.

- ◆ 1 Align the bottom of the end plates with the bottom of the wall joists ensuring that the electrical box is facing upward.
- ◆ 2 Level the adjustable bars and, with a hammer, tap the nails completely into the joists to secure the adjustable bars.
- ◆ 3 Adjust the collar's position (horizontal position) by sliding the housing on adjustable bars.
- ◆ 4 When the desired location is achieved, tighten the two self tapping screws to lock the housing onto the adjustable bars. **Note:** 8" and 12" housings have one internal and one external self tapping screw. 5" housings have two external self tapping screws.

Connect Power to the Housing



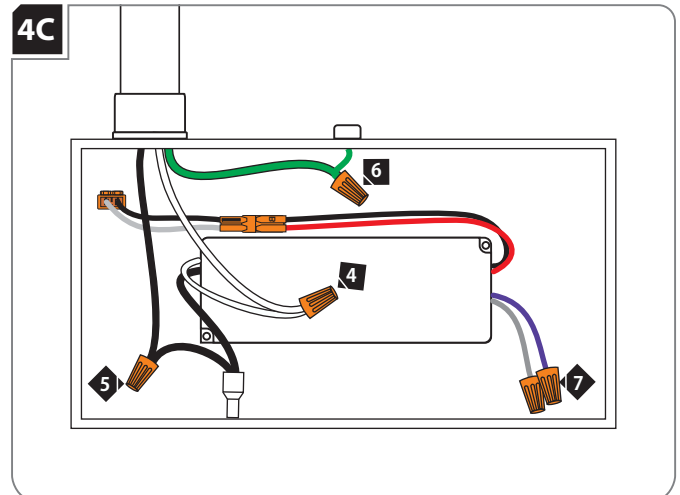
- 1 Push the tab on the housing electrical box up and remove the electrical box cover.



- 2 Install the conduit to the housing electrical box.
- 3 Run the power line wires into the housing electrical box.

NOTE: When a fixture is installed in a location that requires servicing from below the ceiling through the fixture aperture, the branch circuit connections need to be able to be brought out through the aperture. To accomplish this, an NM type cable in conjunction with snap-in/push-in connectors must be used and a 12" service loop must be left available outside of the fixture housing wiring compartment to allow additional branch circuit wiring to be pulled through the snap-in/push-in connector and extended out through the aperture below ceiling level.

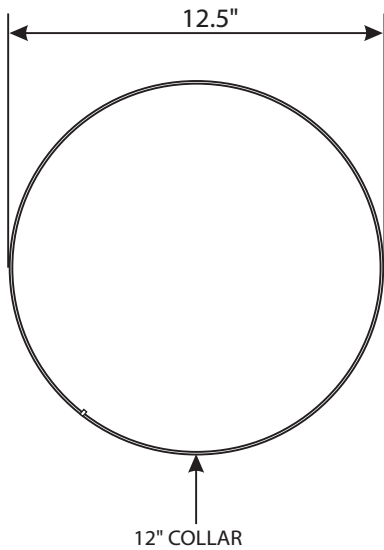
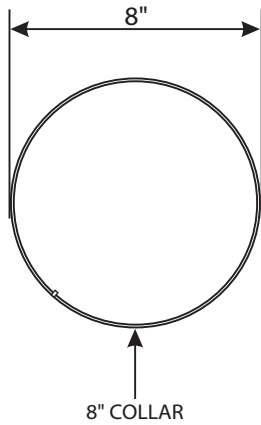
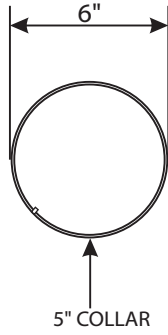
WARNING: RISK OF FIRE: When using the housing electrical box for power feed through, use **MAX** 2 - #12 AWG, or 2 - #14 AWG branch circuit wires.



- 4 Connect the neutral power line wire to the white driver wire with a wire nut.
- 5 Connect the hot power line wire to the black driver wire with a wire nut.
- 6 Make sure that housing is grounded in accordance with local electrical codes.
- 7 For 0-10V dimming, use the purple and gray wire to connect to a compatible dimmer. If 0-10V dimming is not being used, make sure to cap off the purple and gray wires.
- 8 Replace the electrical box cover. Make sure that the top edge of the cover snaps under the tab.

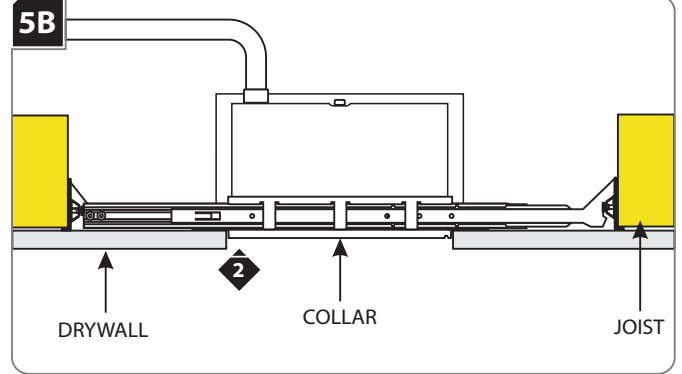
Install Drywall

5A



1 Depending on the fixture's collar size, mark an appropriate sized diameter circle on drywall. Cut out the marked section.

5B



2 Align the cut out section of drywall with the collar and install drywall.



Continue installation using instructions provided with trim.

SAVE THESE INSTRUCTIONS!

ELEMENT
a brand of **TECH LIGHTING**

7400 Linder Ave.
Skokie, IL 60077
847.410.4400

www.element-lighting.com

© 2017 Tech Lighting, L.L.C. All rights reserved. The "Element" graphic is a registered trademark of Element. Element reserves the right to change specifications for product improvements without notification.